

CORRIDOR GALLERIES: Queen Elizabeth Park Community & Cultural Centre






Season: _____ Year: _____

Organization/Artist: _____

Exhibition is located:

- CORRIDOR 1: _____
- CORRIDOR 2: _____
- CORRIDOR 3: _____
- CORRIDOR A: _____
- CORRIDOR B: _____
- CORRIDOR C: _____
- CORRIDOR D: _____
- CORRIDOR E: _____
- CORRIDOR G: _____
- CORRIDOR J: _____

Legend

-  Fire alarm
-  Locker bay
-  Fire extinguisher
-  Security camera
-  Thermostat or wall mounted object



Drawings are not to scale.

CORRIDOR GALLERIES: CORRIDOR 1 - East

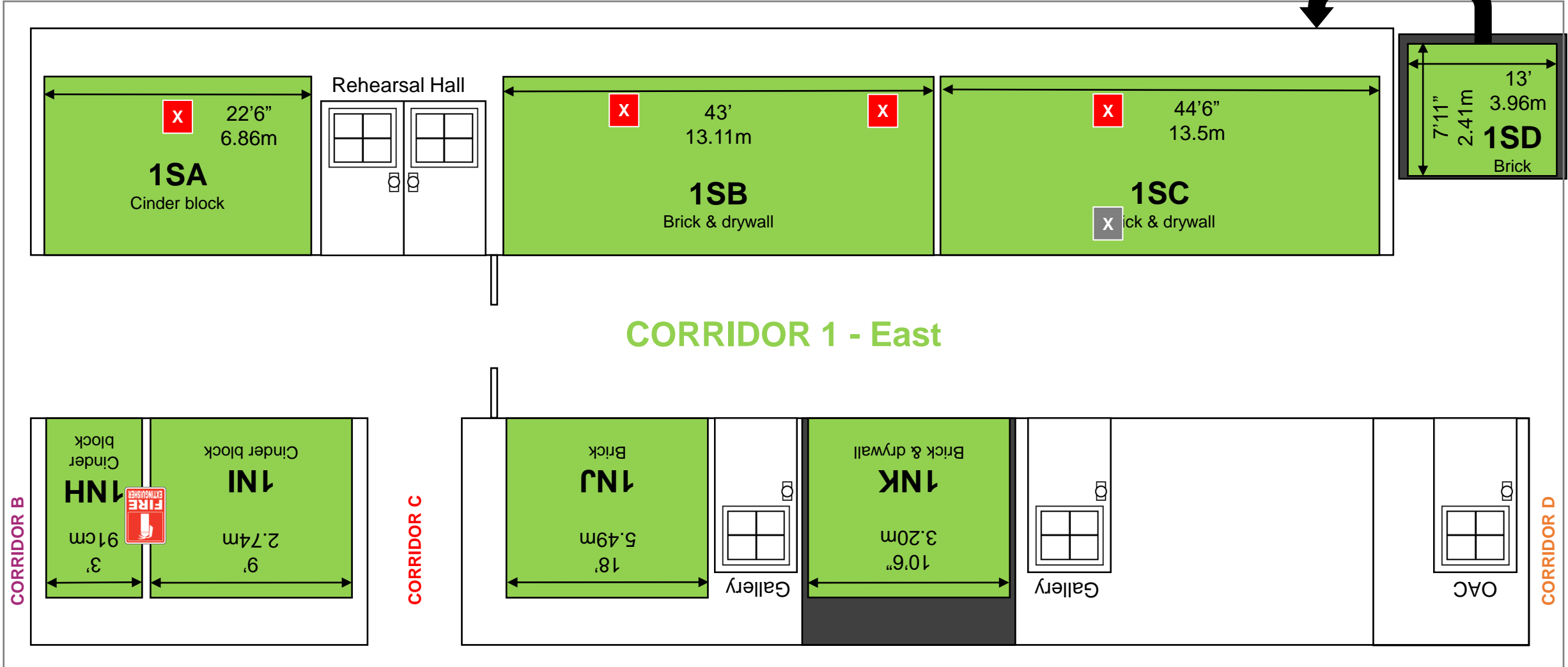


Corridor 1 East at west end looking east



CORRIDOR GALLERIES: CORRIDOR 1 - East

The height from the bottom of the track to the floor is approximately 7'9" or 2.36m in Corridor 1 East



Wall Texture: see above.

CORRIDOR GALLERIES: CORRIDOR 1 - West



Corridor 1 West at west end looking east

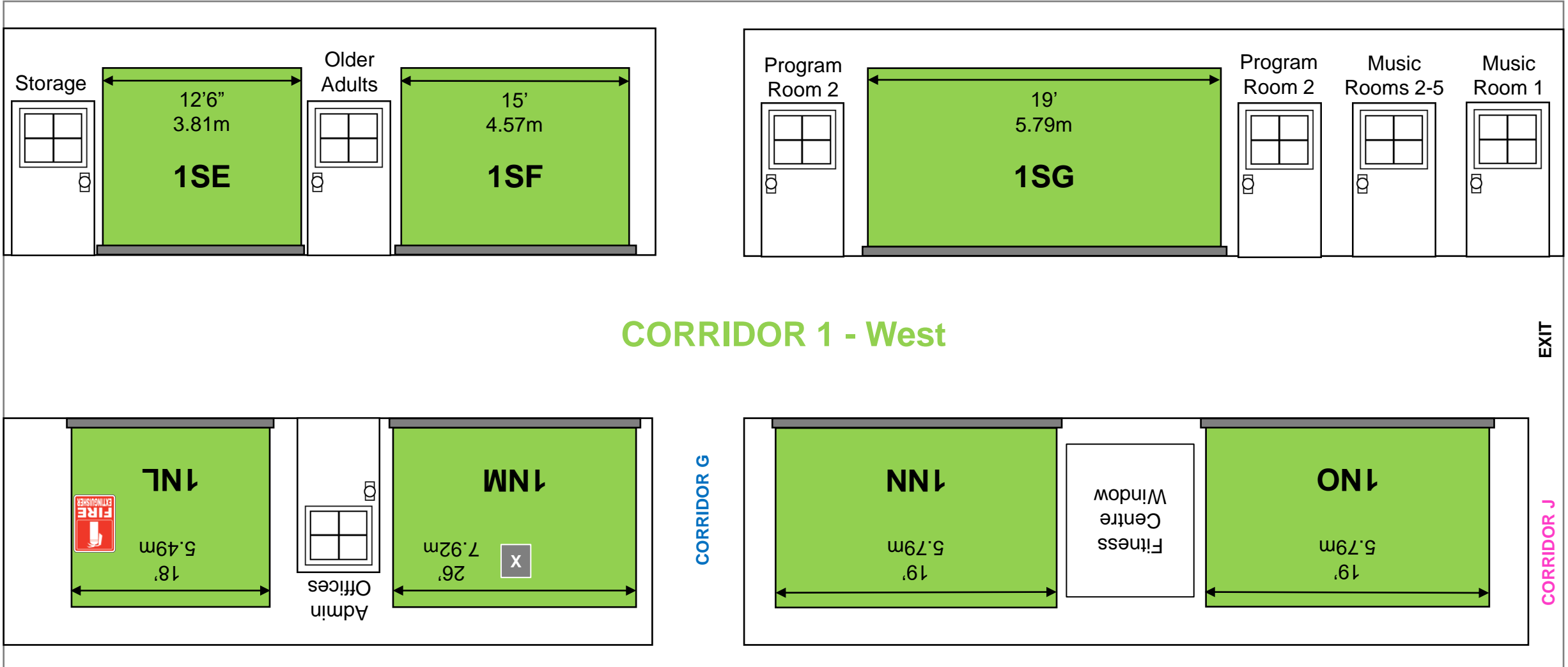


1 West



CORRIDOR GALLERIES: CORRIDOR 1 - West

The height from the bottom of the track to each locker bay floor is approximately 7'6" or 2.29m in Corridor 1 West



Wall Texture: every wall is cinder block in Corridor 1 West.

CORRIDOR GALLERIES: CORRIDOR 2 - East

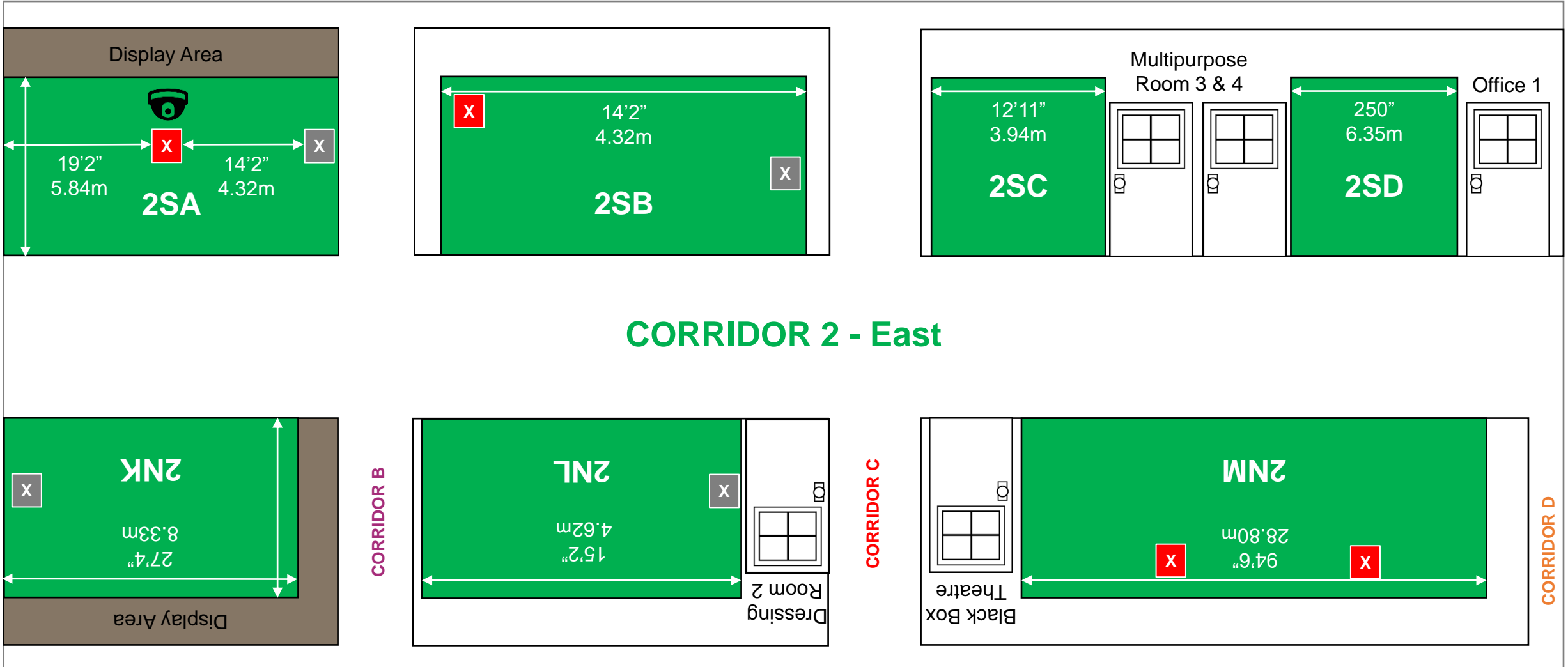


Corridor 2 East looking east towards display area



CORRIDOR GALLERIES: CORRIDOR 2 - East

The height from the bottom of the track to the floor is approximately 7'9" or 2.36m in Corridor 1 East unless otherwise indicated.



Wall Texture: every wall is drywall in Corridor 2 East.

CORRIDOR GALLERIES: CORRIDOR 2 - West

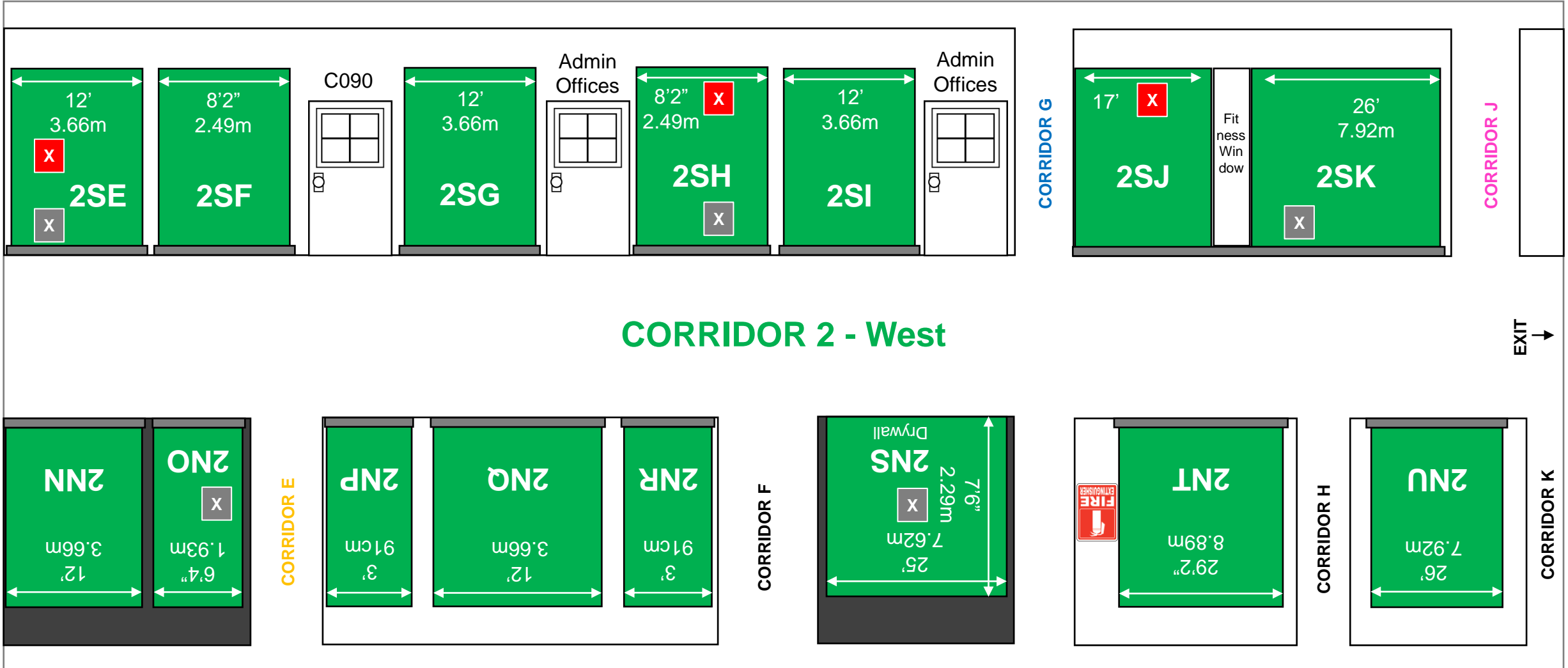


Corridor 2 West looking west



CORRIDOR GALLERIES: CORRIDOR 2 - West

The height from the bottom of the track to each locker bay floor is approximately 7'1" or 2.16m in Corridor 2 West unless otherwise indicated.

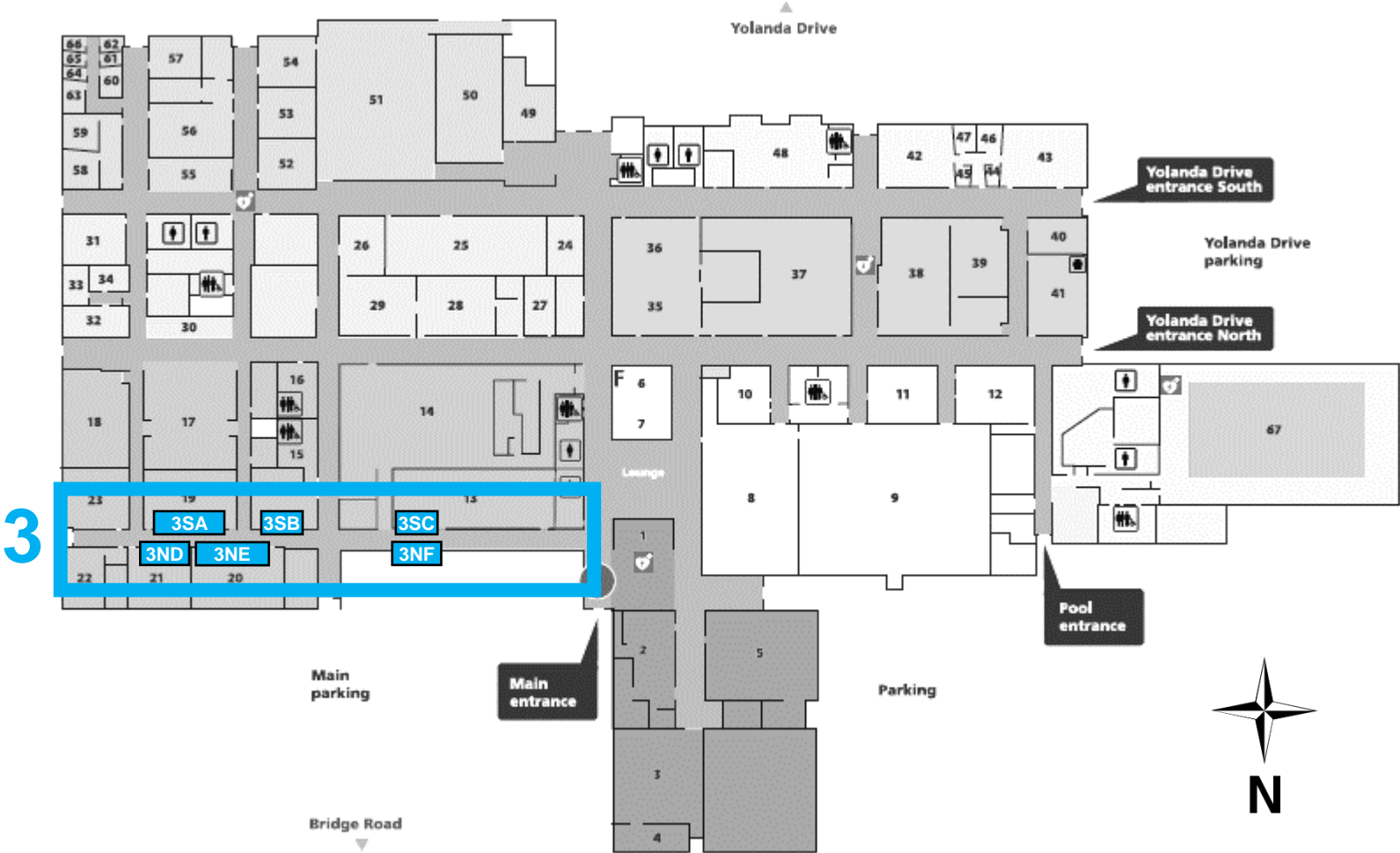


Wall Texture: every wall is cinder block in Corridor 2 West unless otherwise indicated above.

CORRIDOR GALLERIES: CORRIDOR 3

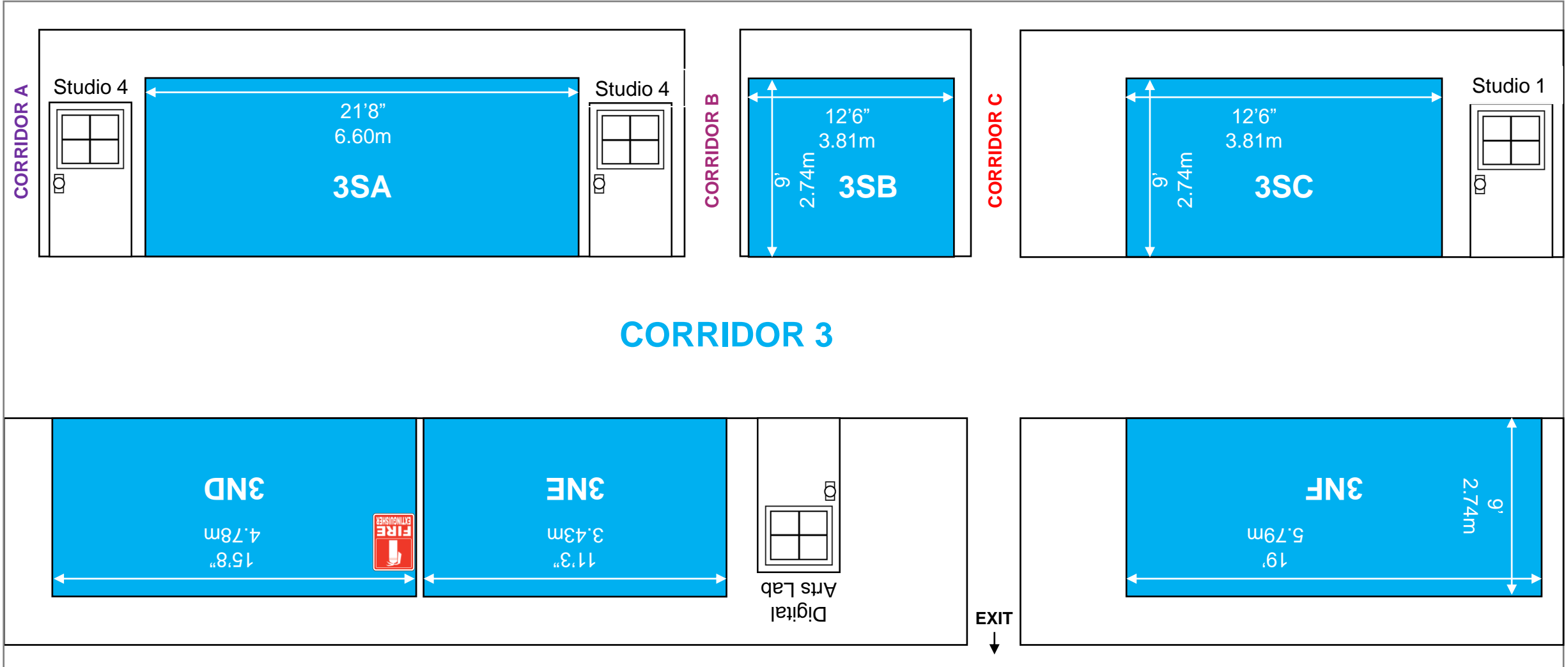


Corridor 3 at east end looking west



CORRIDOR GALLERIES: CORRIDOR 3

The height from the bottom of the track to the floor is approximately 7'10" or 2.39m in Corridor 3 unless otherwise indicated.



Wall Texture: every wall is drywall in Corridor 3.

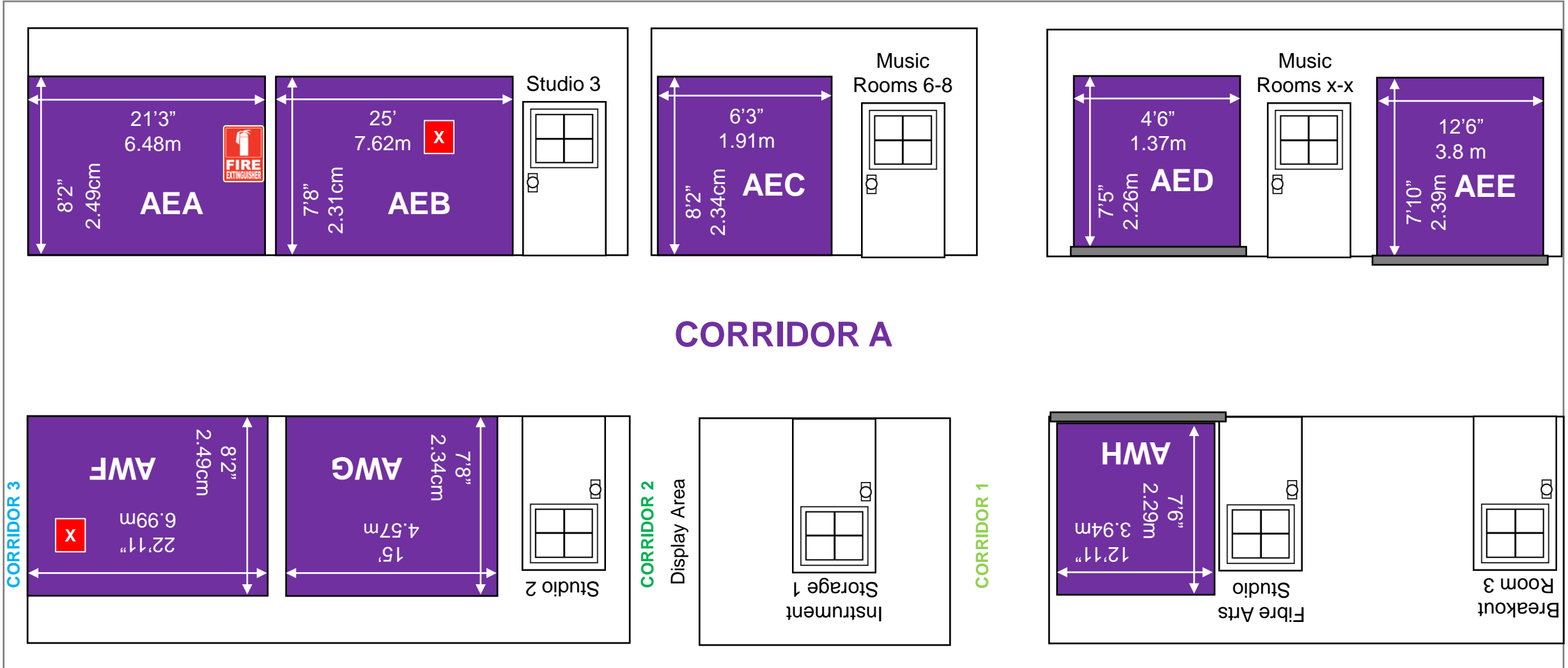
CORRIDOR GALLERIES: CORRIDOR A



Corridor A at north end looking south



CORRIDOR GALLERIES: CORRIDOR A



Wall Texture: every wall is drywall in Corridor A.

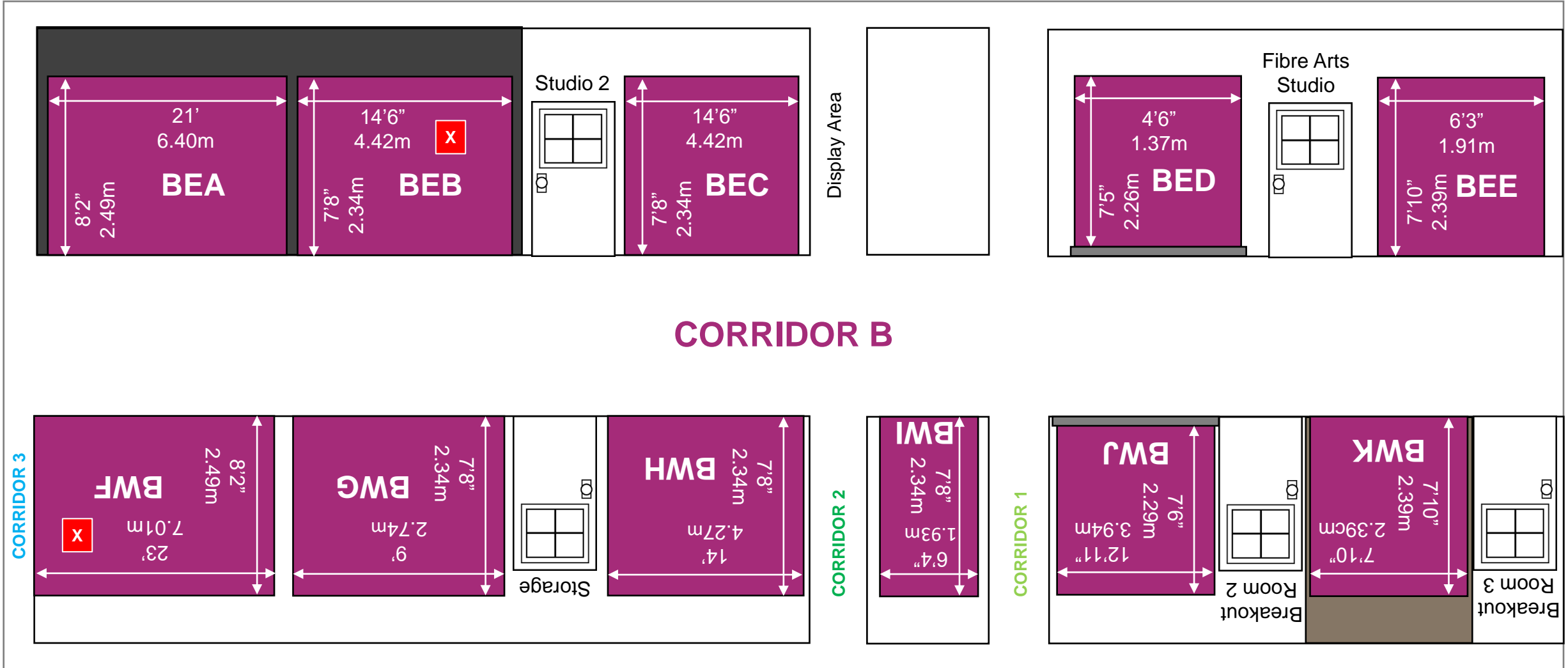
CORRIDOR GALLERIES: CORRIDOR B



Corridor B at north end looking south



CORRIDOR GALLERIES: CORRIDOR B



Wall Texture: every wall is drywall in Corridor B.

CORRIDOR GALLERIES: CORRIDOR C

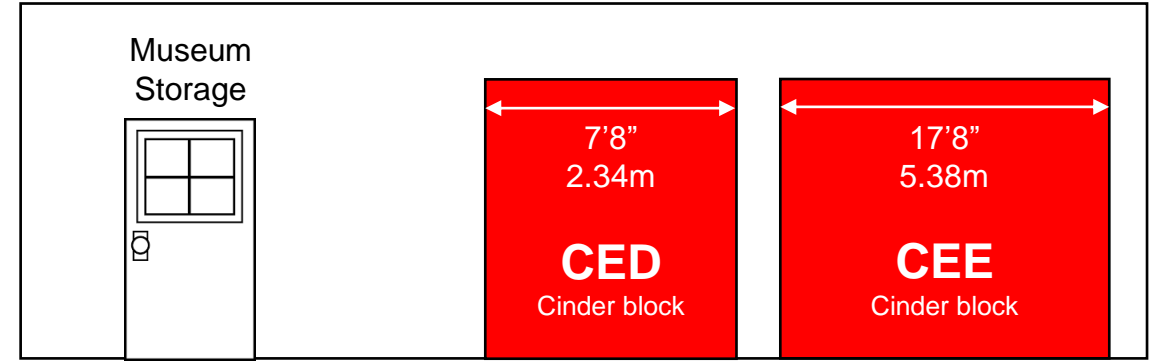
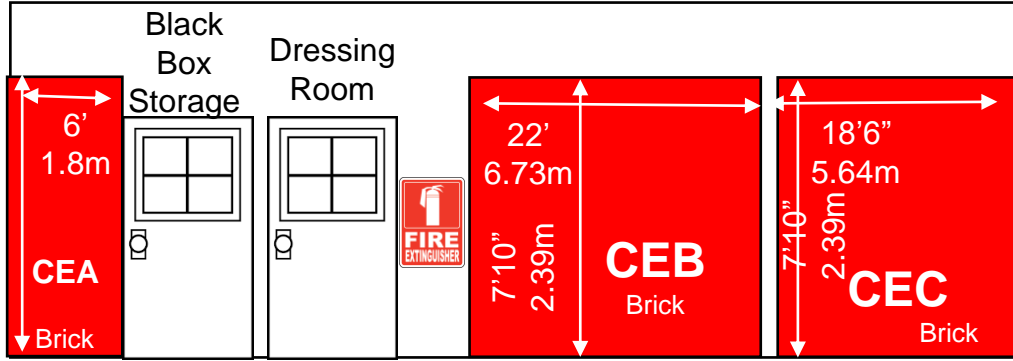


Corridor C at north end looking south

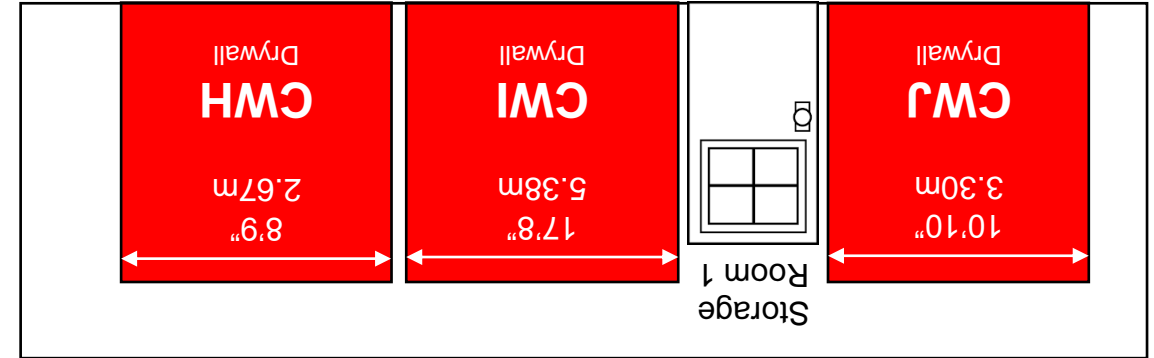
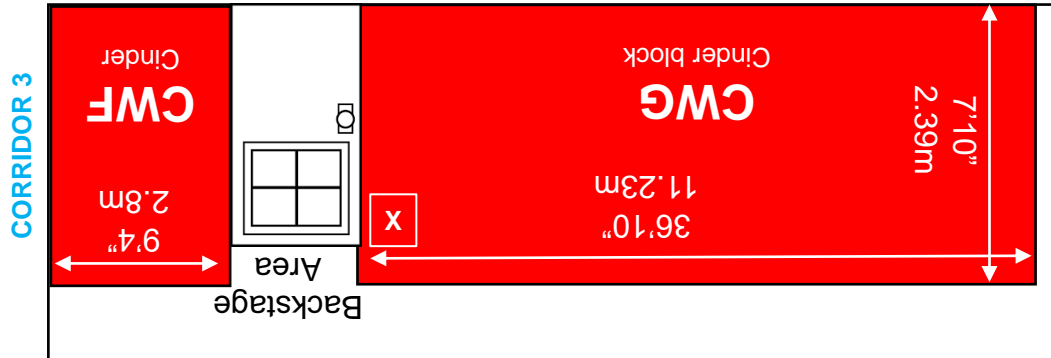


CORRIDOR GALLERIES: CORRIDOR C

The height from the bottom of the track to the floor is approximately 9'11" or 3.02m in Corridor C unless otherwise indicated.

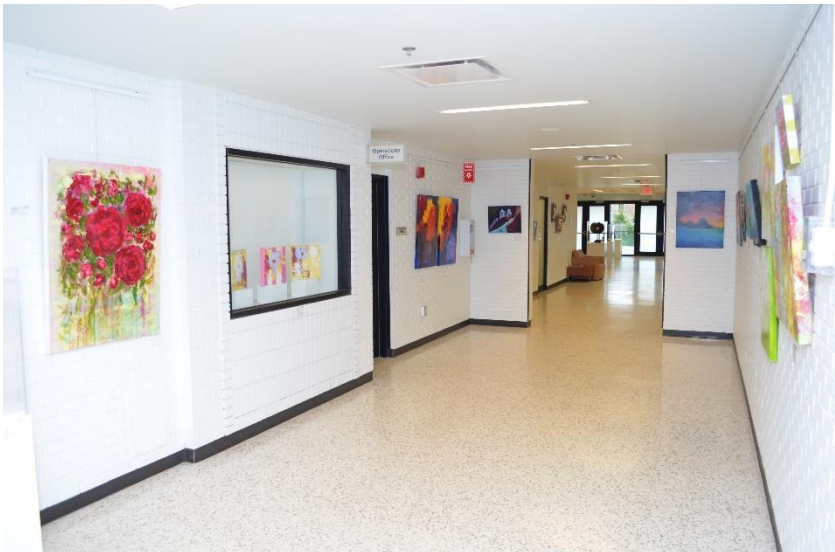


CORRIDOR C



Wall Texture: see above.

CORRIDOR GALLERIES: CORRIDOR D

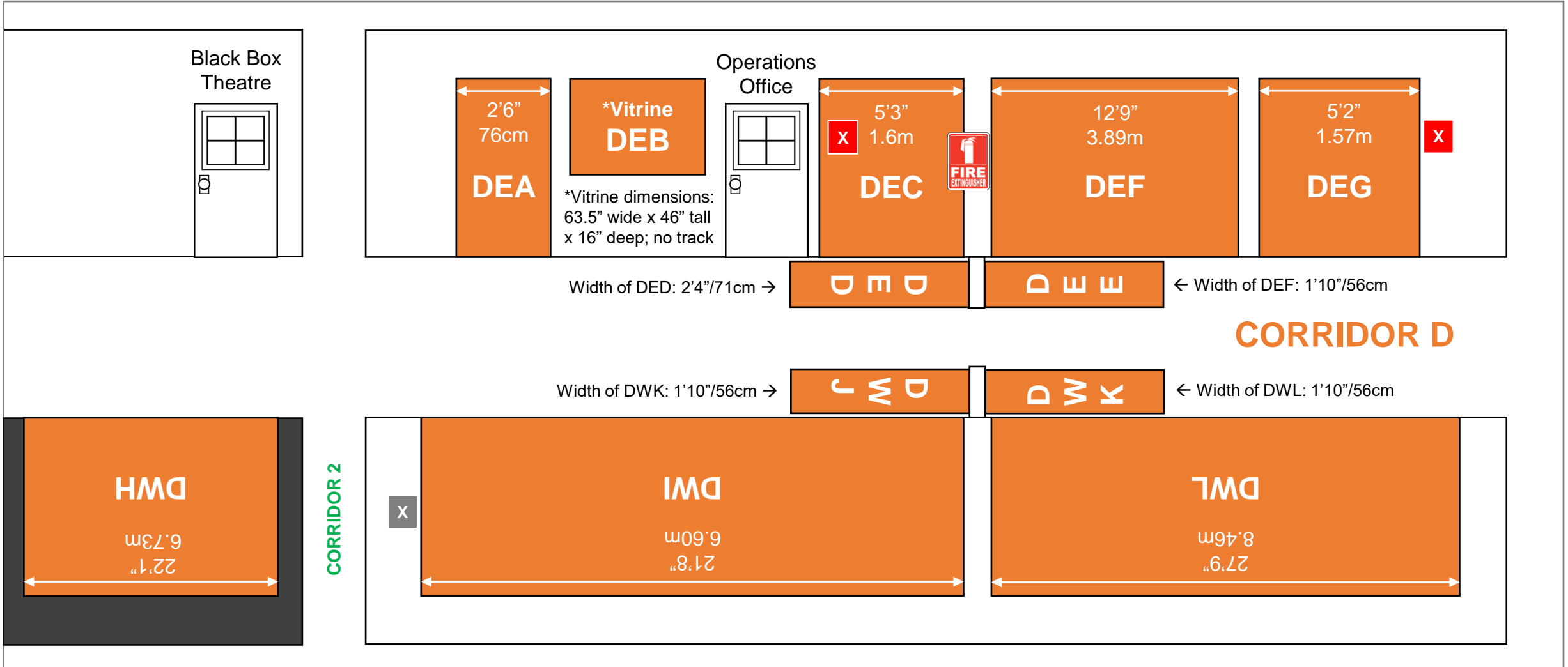


Corridor D at north end looking south



CORRIDOR GALLERIES: CORRIDOR D

The height from the bottom of the track to the floor is approximately 7'9" or 2.16m in Corridor D



Wall Texture: every wall is brick in Corridor D.

CORRIDOR GALLERIES: CORRIDOR E

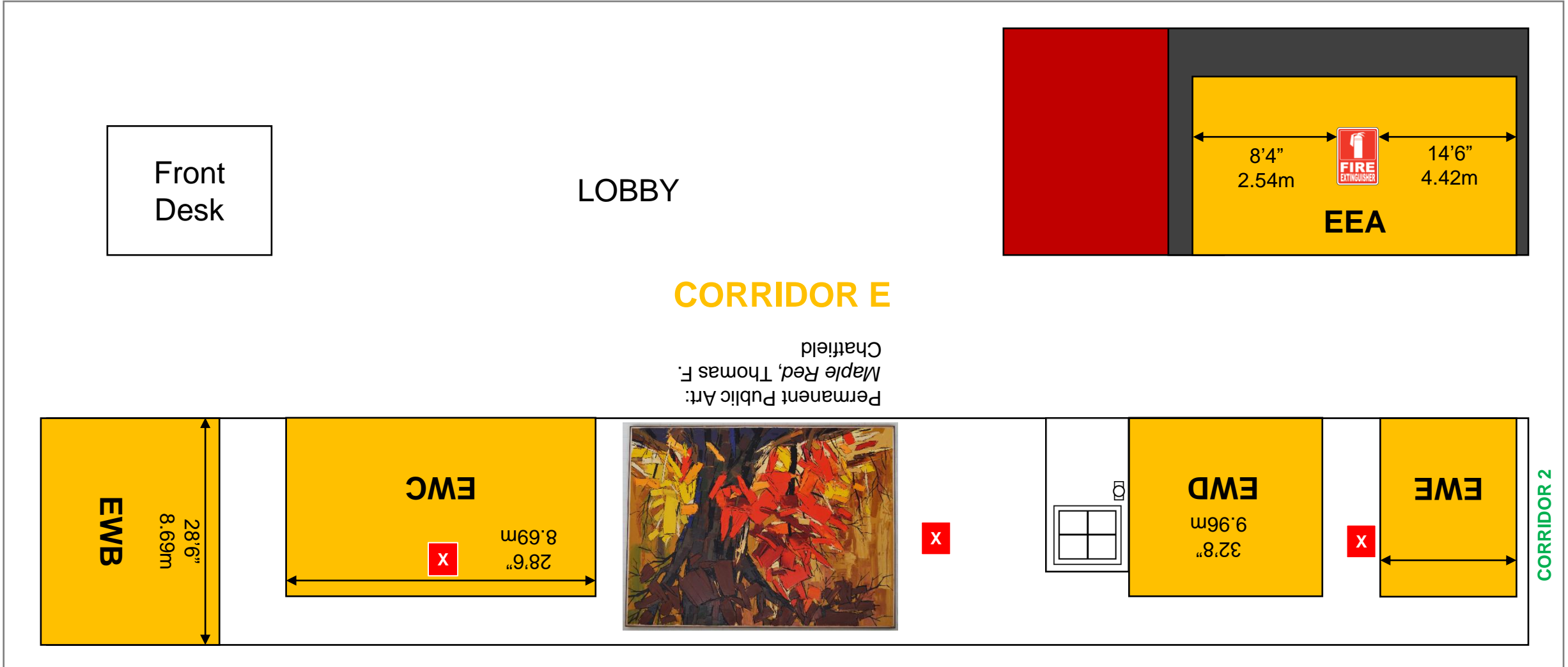


Corridor E looking south towards track EWD



CORRIDOR GALLERIES: CORRIDOR E

The height from the bottom of the track to the floor is approximately 8'4" or 2.54m in Corridor E



Wall Texture: every wall is brick in Corridor E.

CORRIDOR GALLERIES: CORRIDOR G



Corridor G at north end looking south



CORRIDOR GALLERIES: CORRIDOR G

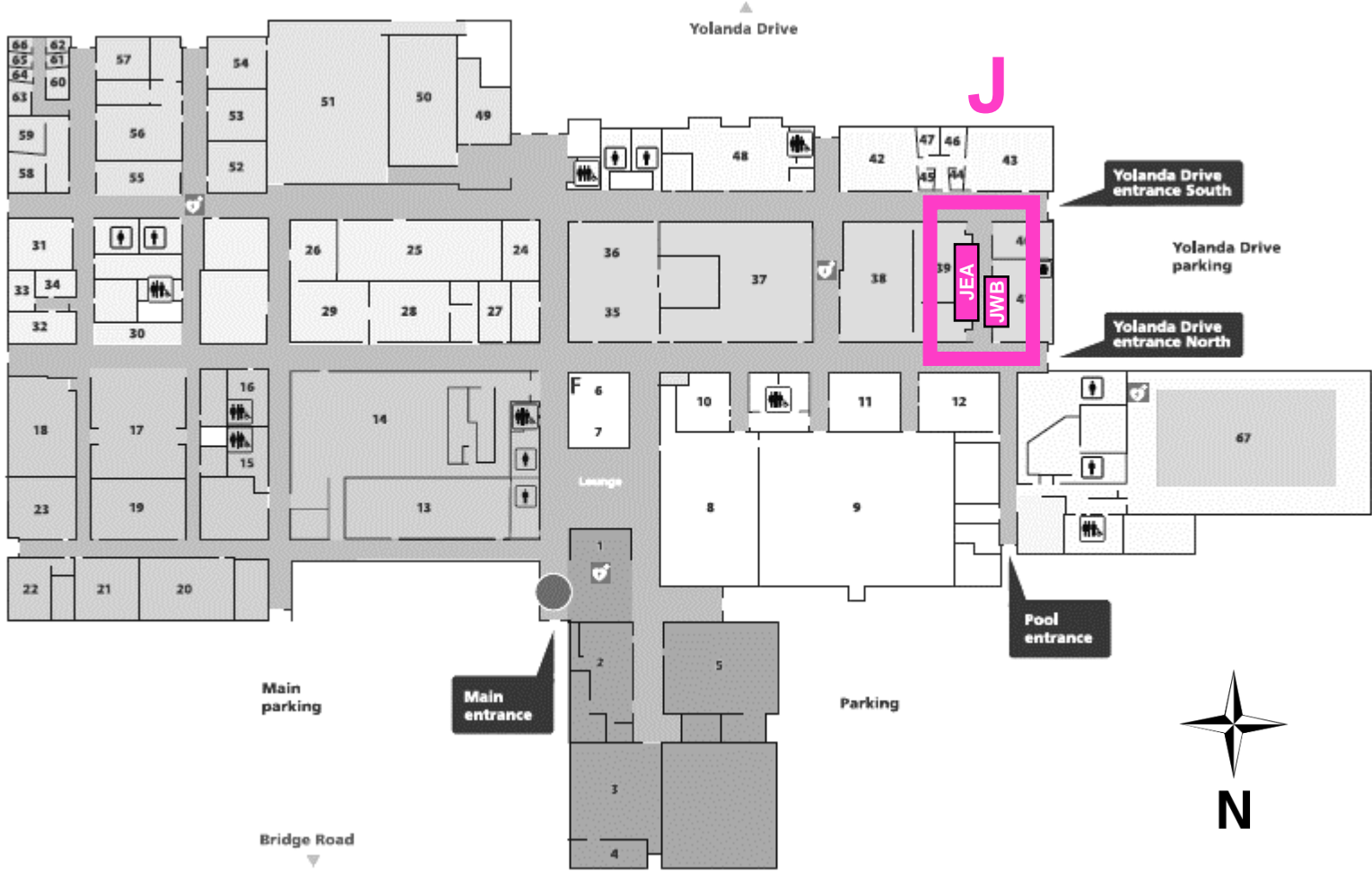


Wall Texture: the wall is cinder block in Corridor G.

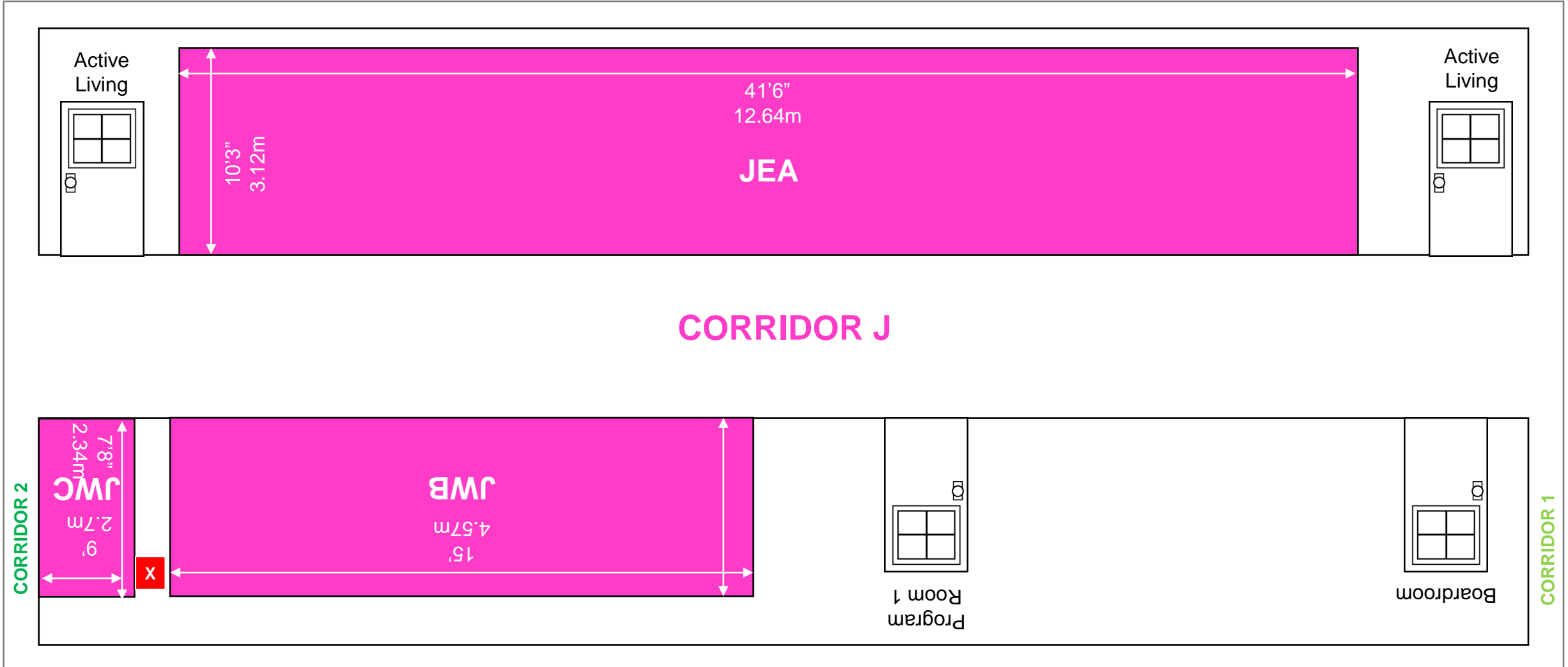
CORRIDOR GALLERIES: CORRIDOR J



Corridor J at north end looking south



CORRIDOR GALLERIES: CORRIDOR J



Wall Texture: the walls are drywall in Corridor J.

CORRIDOR GALLERIES: GALLERY DISPLAY FURNITURE

All measurements are in inches.

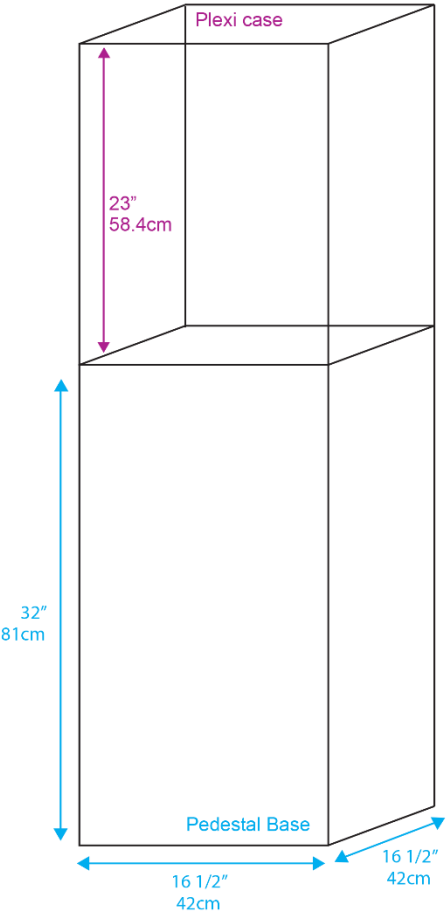
All pedestals and risers are made of MDF with semi-gloss white gallery paint finish.

PEDESTALS: 28				PLEXI CASES: 28			
Quantity	Height	Width	Length	Quantity	Height	Width	Length
5	32	16 ½	16 ½	5	23	16 ½	16 ½
2	32	21	21	2	23	21	21
2	32	21 ½	21 ½	2	23	21 ½	21 ½
11	32	24	24	11	23	24	24
1	32	24	30	1	23	24	30
1	32	24	32	1	29 ½	24	32
3	32	24	48	3	11	24	48
1	32	25	25	1	23	25	25
2	32	25 ½	25 ½	2	23	25 ½	25 ½

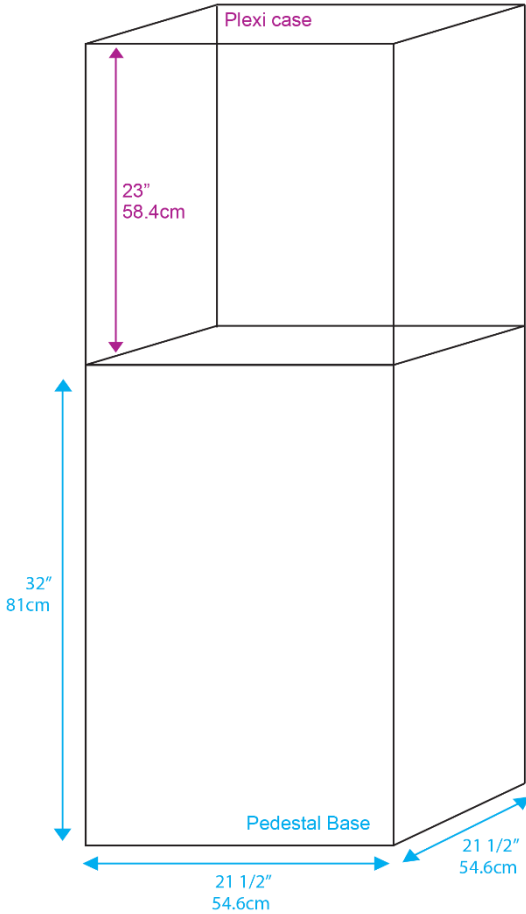
RISERS: 10			
Quantity	Height	Width	Length
3	6	36	36
1	4 ½	36	83
1	6	48 ¾	48 ¾
1	8	48 ¾	48 ¾
1	10	24	24
1	10	31	51

MINI BLOCKS: 15			
Quantity	Height	Width	Length
1	2	6	7
1	3	6	6
1	3	6	8
1	3	7	7.5
1	4	6	8
1	4	6	9.5
1	5	4.5	7
8	6	6	8

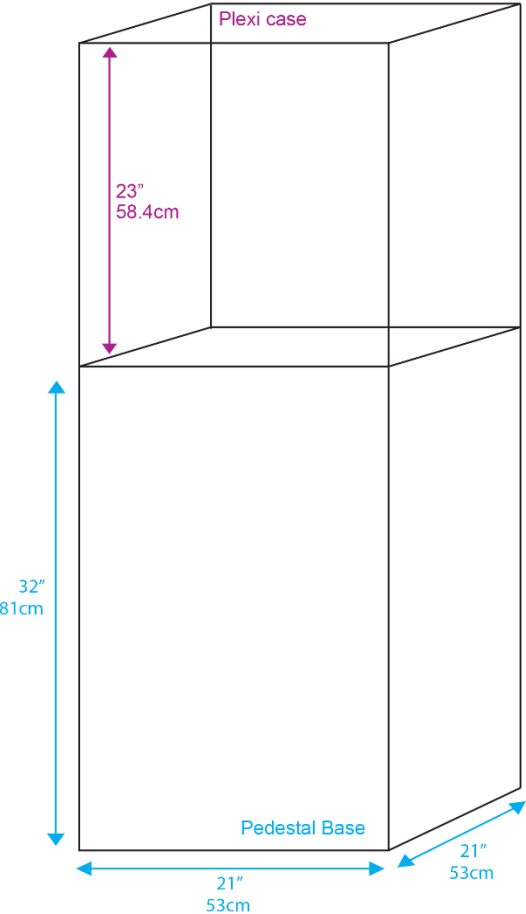
CORRIDOR GALLERIES: PEDESTALS with PLEXICOVERS



Quantity: 5

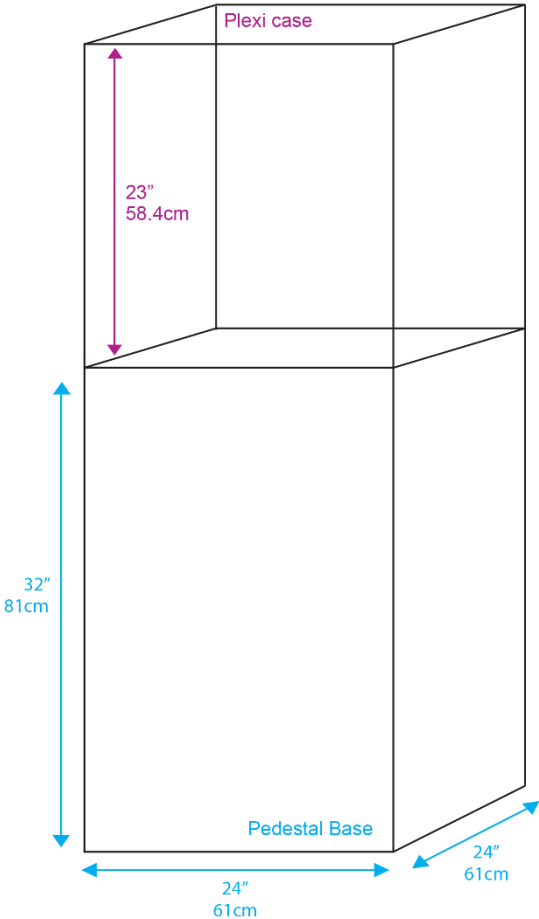


Quantity: 2

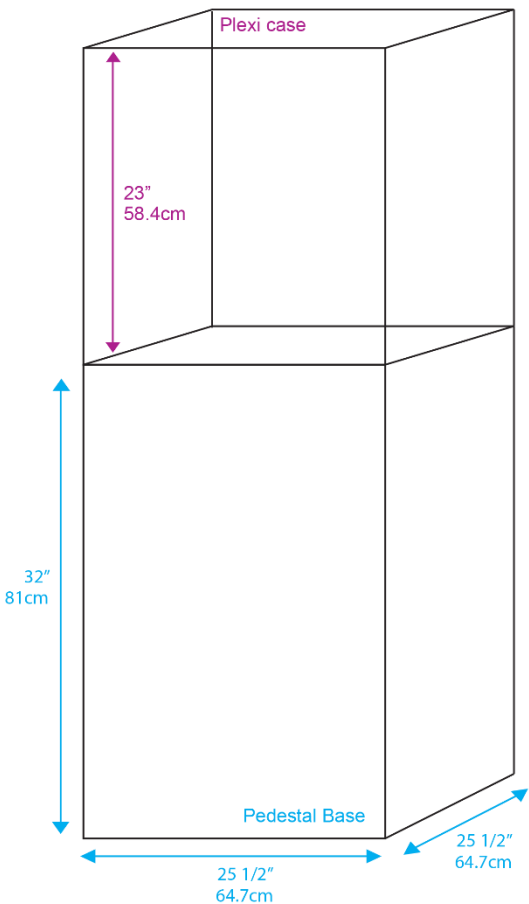


Quantity: 2

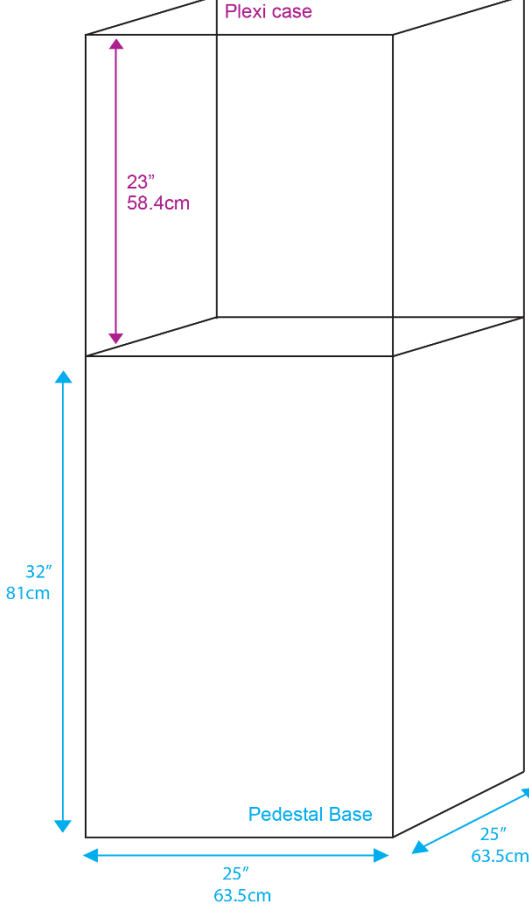
CORRIDOR GALLERIES: PEDESTALS with PLEXICOVERS



Quantity: 11

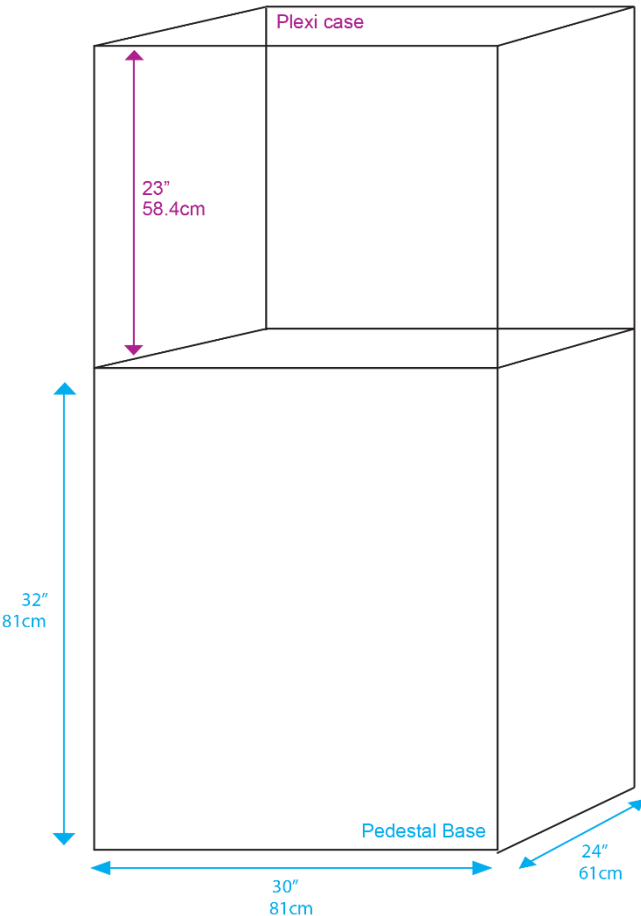


Quantity: 2

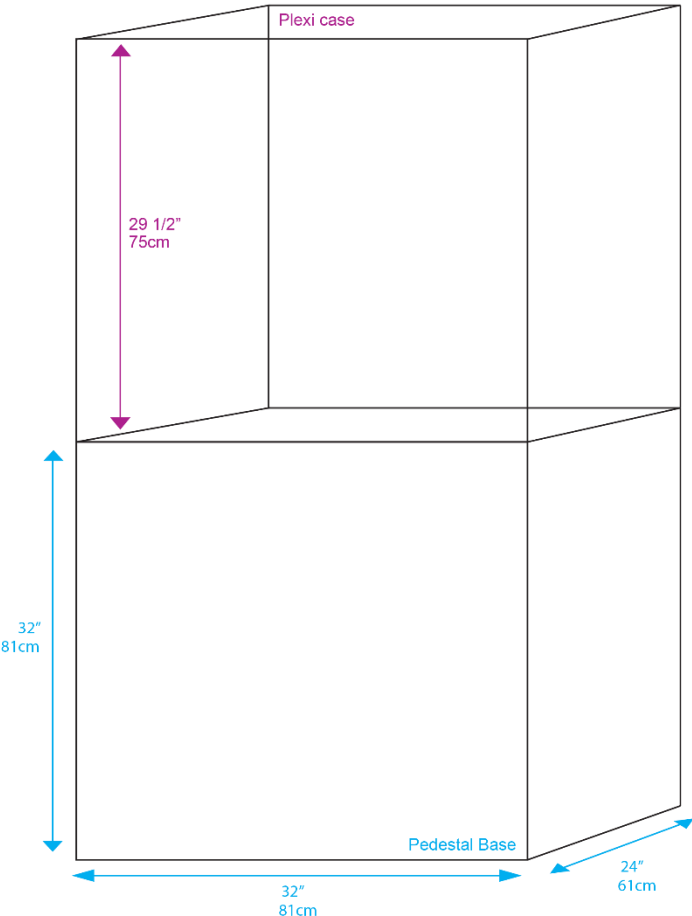


Quantity: 1

CORRIDOR GALLERIES: PEDESTALS with PLEXICOVERS

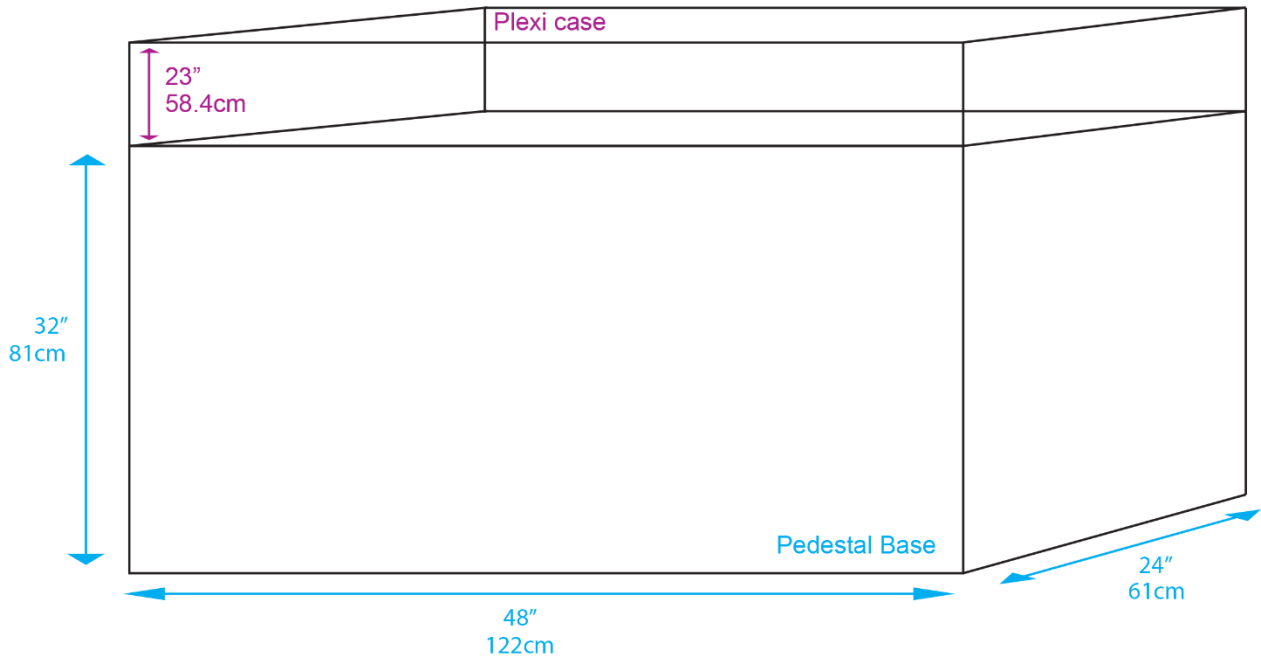


Quantity: 1

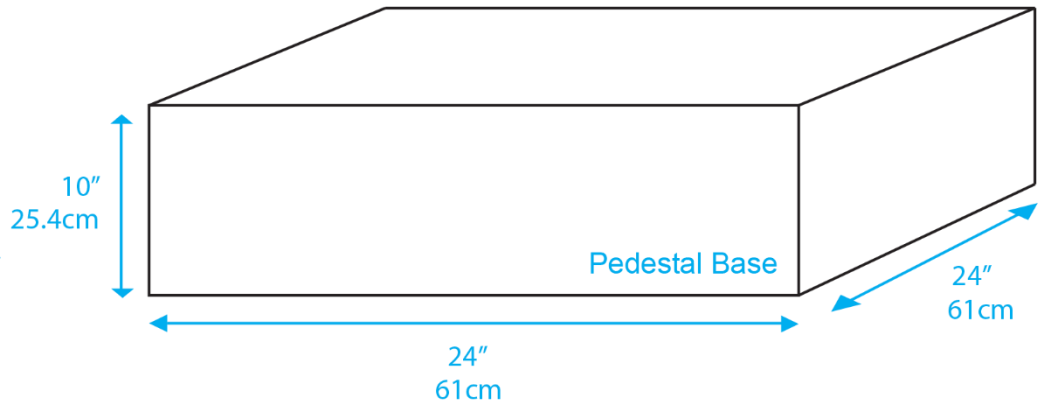


Quantity: 1

CORRIDOR GALLERIES: PEDESTALS with PLEXICOVERS & LOW RISERS

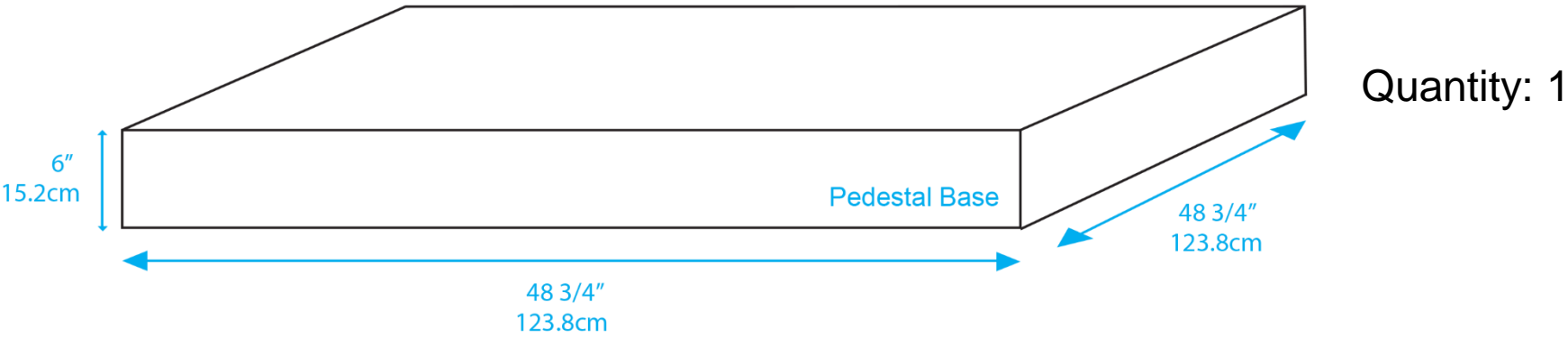
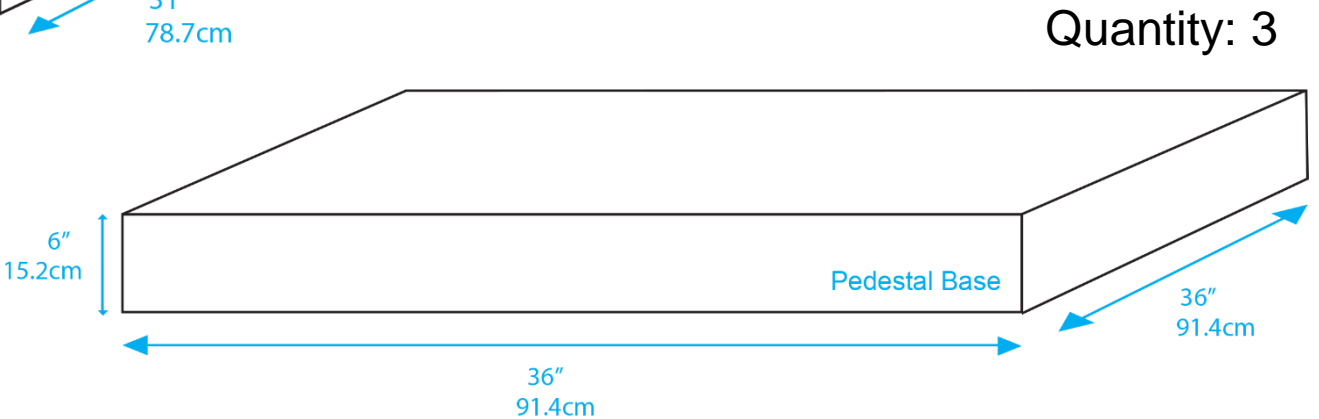
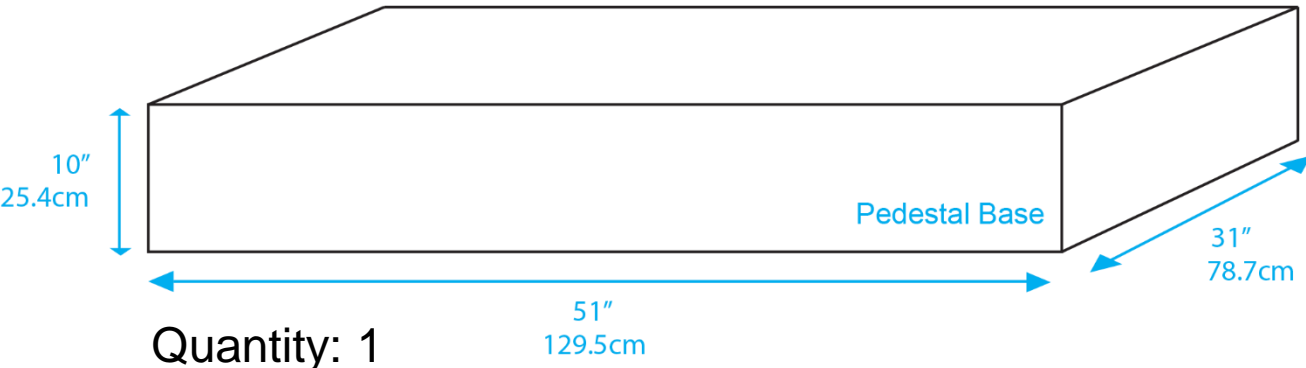


Quantity: 3

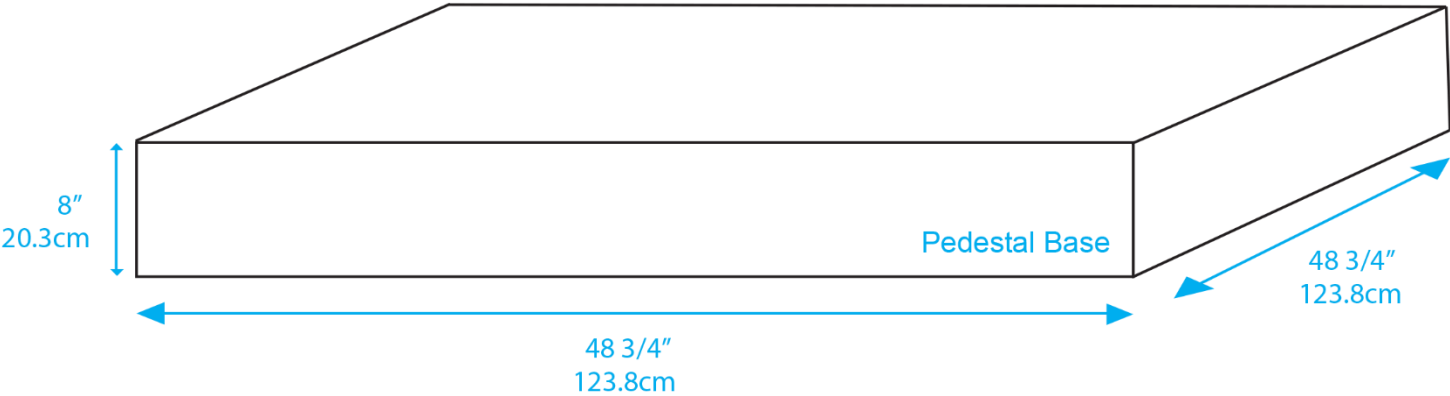


Quantity: 1

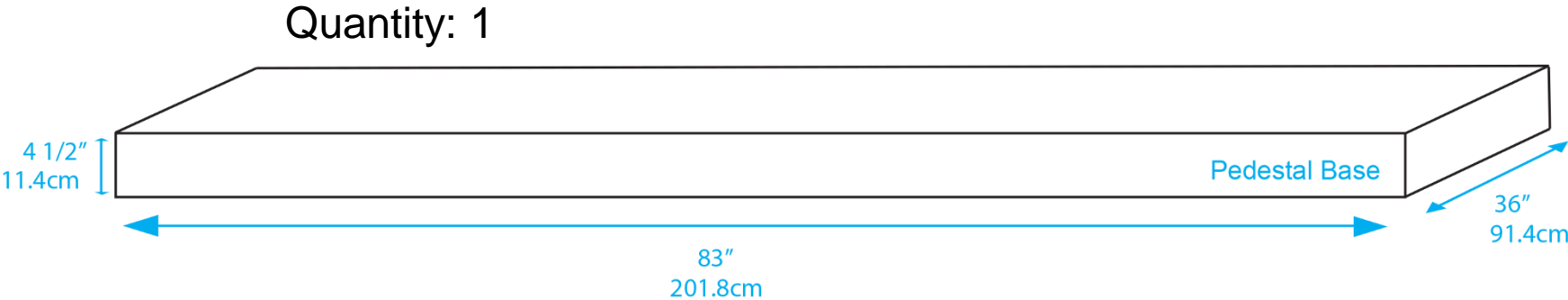
CORRIDOR GALLERIES: LOW RISERS



CORRIDOR GALLERIES: LOW RISERS



Quantity: 1



Quantity: 1