

STONE SIZE - USE 50mm STONE, OR RECLAIMED OR RECYCLED CONCRETE EQUIVALENT.
LENGTH - AS REQUIRED, BUT NOT LESS THAN 15m (EXCEPT ON A SINGLE RESIDENCE LOT WHERE A 10m MIN. LENGTH WOULD APPLY).
THICKNESS - NOT LESS THAN 150mm.
WIDTH - 3m MINIMUM, BUT NOT LESS THAN THE WIDTH AT POINTS WHERE INGRESS OR EGRESS OCCURS.

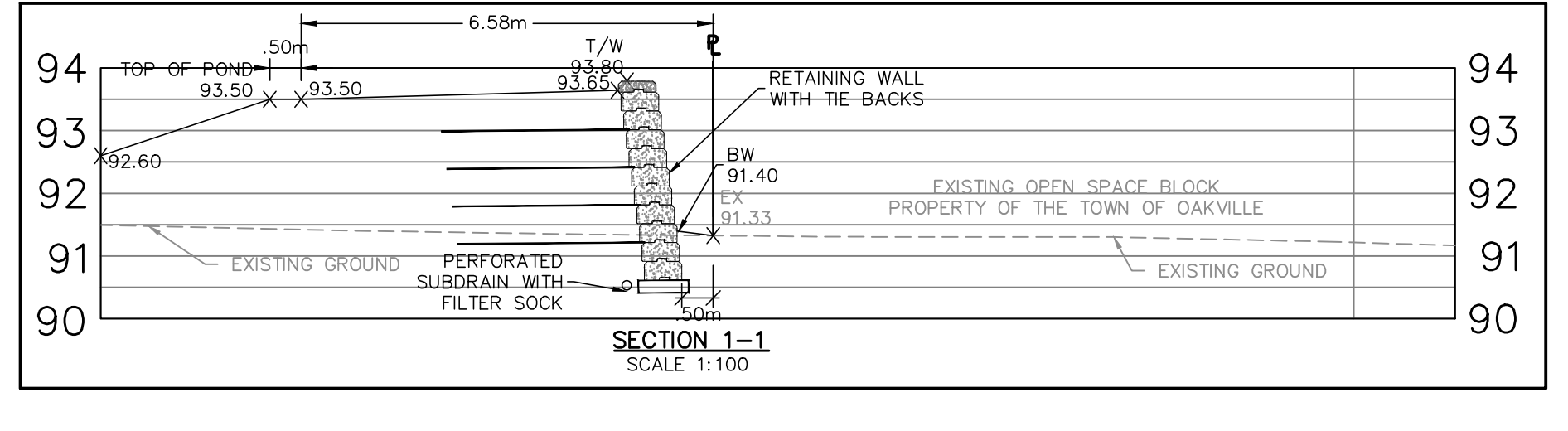
FILTER CLOTH - WILL BE PLACED OVER THE ENTIRE AREA PRIOR TO PLACING STONE. FILTER CLOTH WILL NOT BE REQUIRED ON SINGLE FAMILY RESIDENCE LOT.

SURFACE WATER - ALL SURFACE WATER FLOWING OR DIRECTED TOWARD CONSTRUCTION ENTRANCES SHALL BE PIPED ACROSS THE ENTRANCE. IF PIPING IS IMPRACTICAL, A MOUNTABLE BERM WITH 5:1 SLOPES WILL BE PERMITTED.

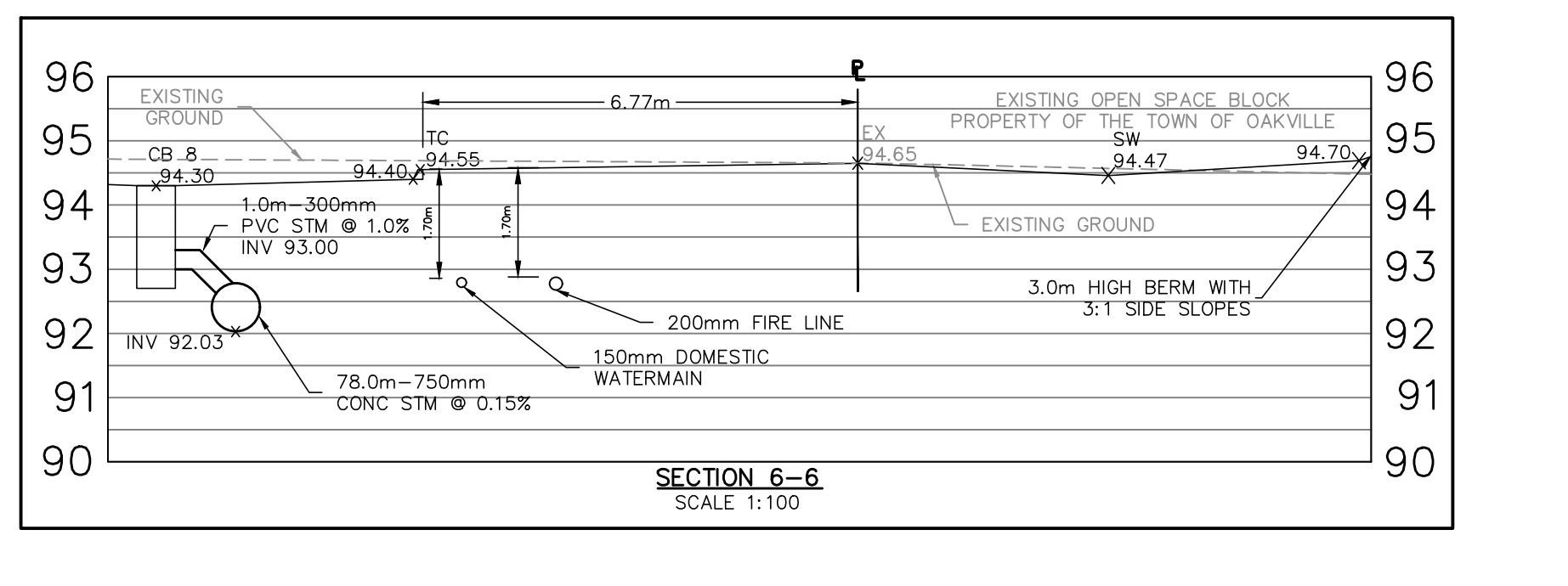
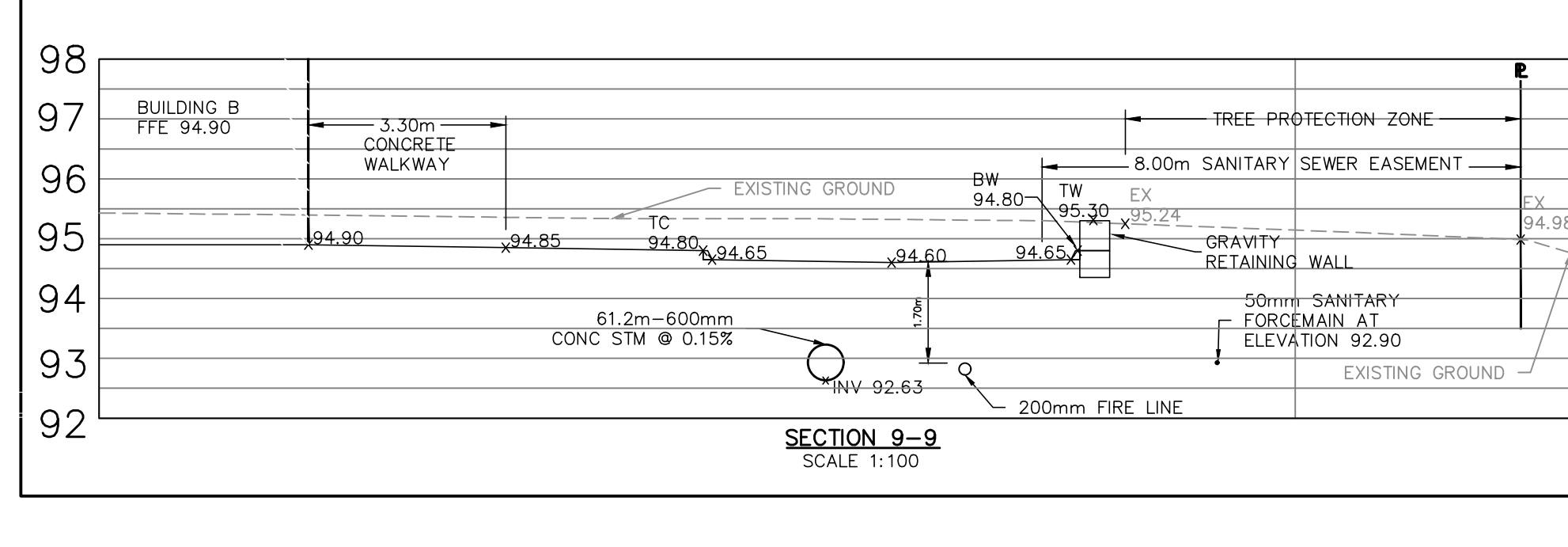
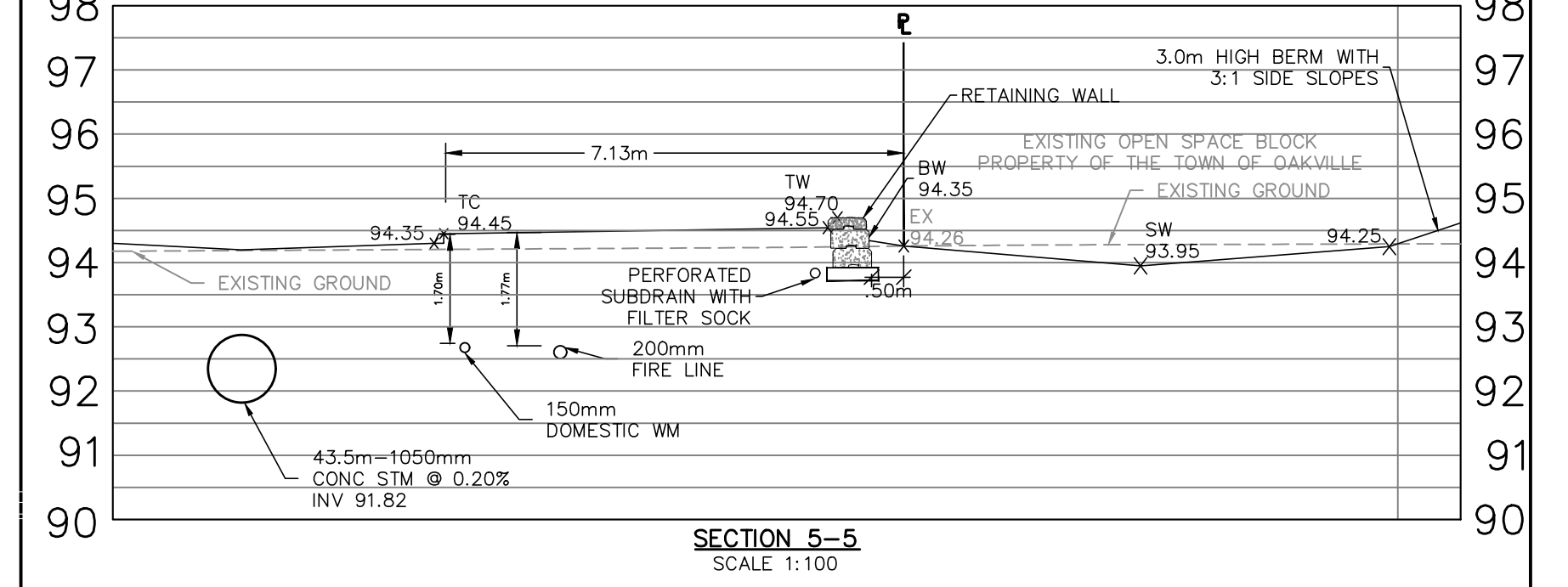
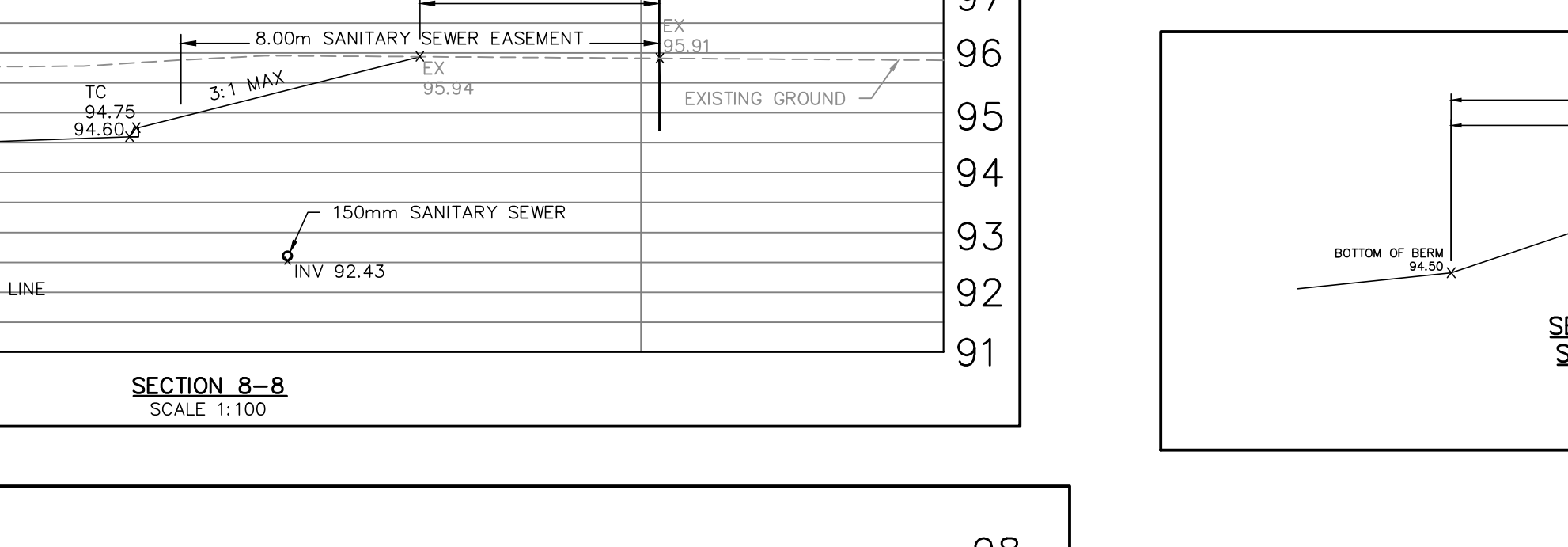
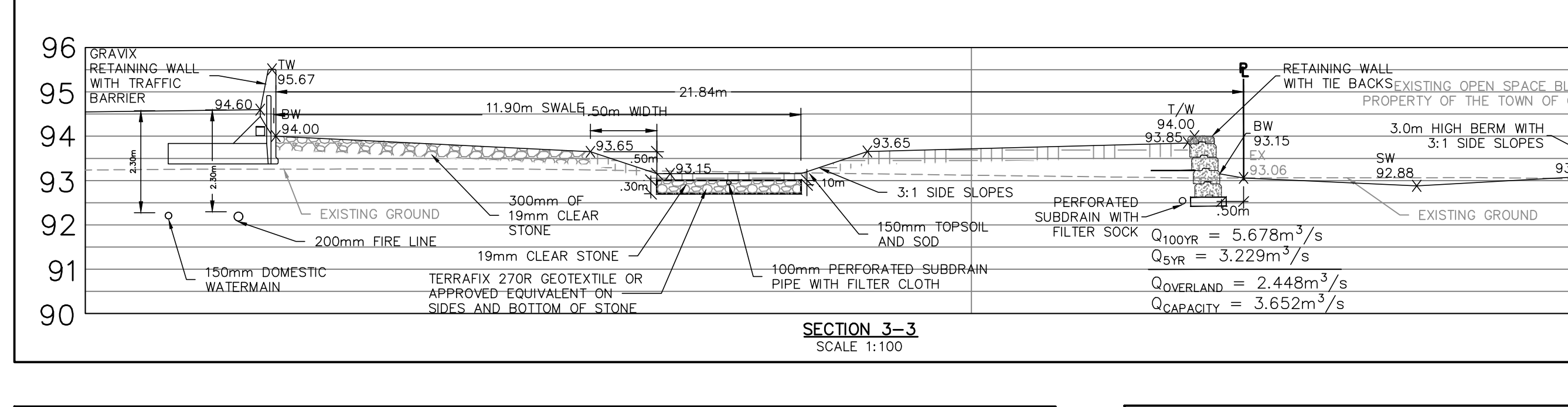
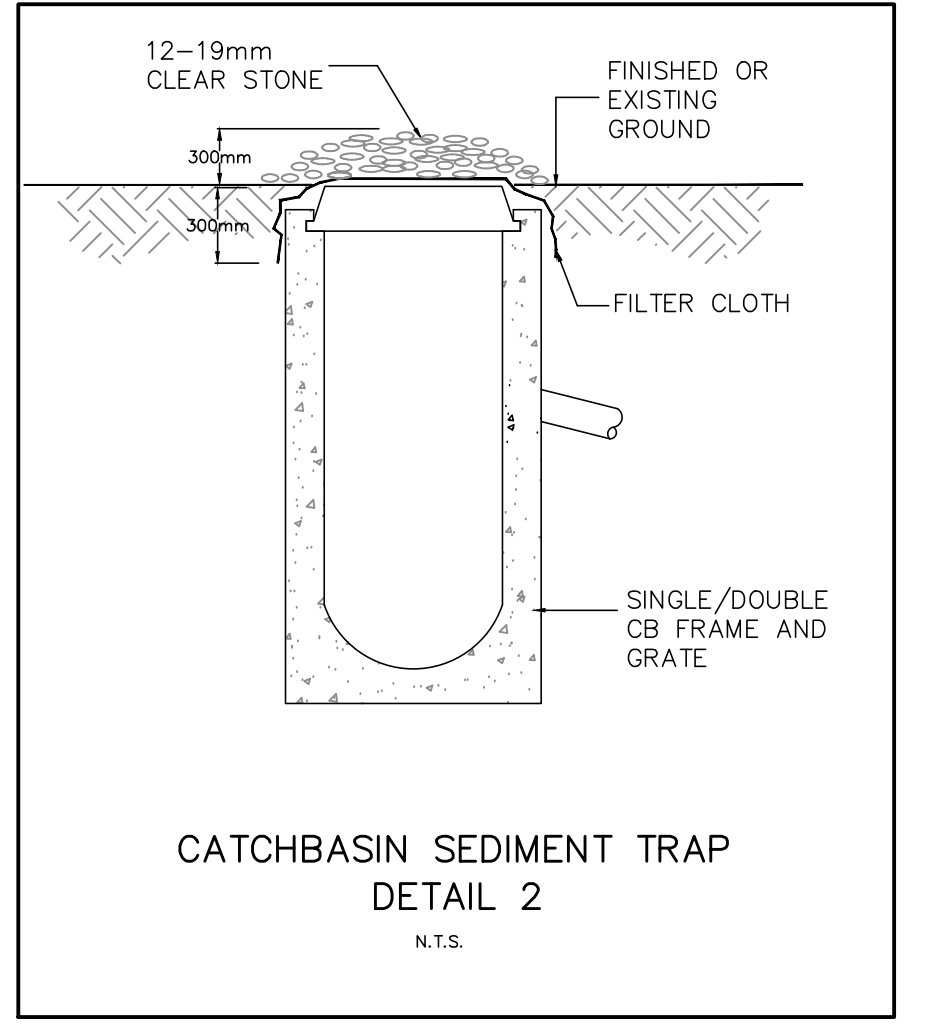
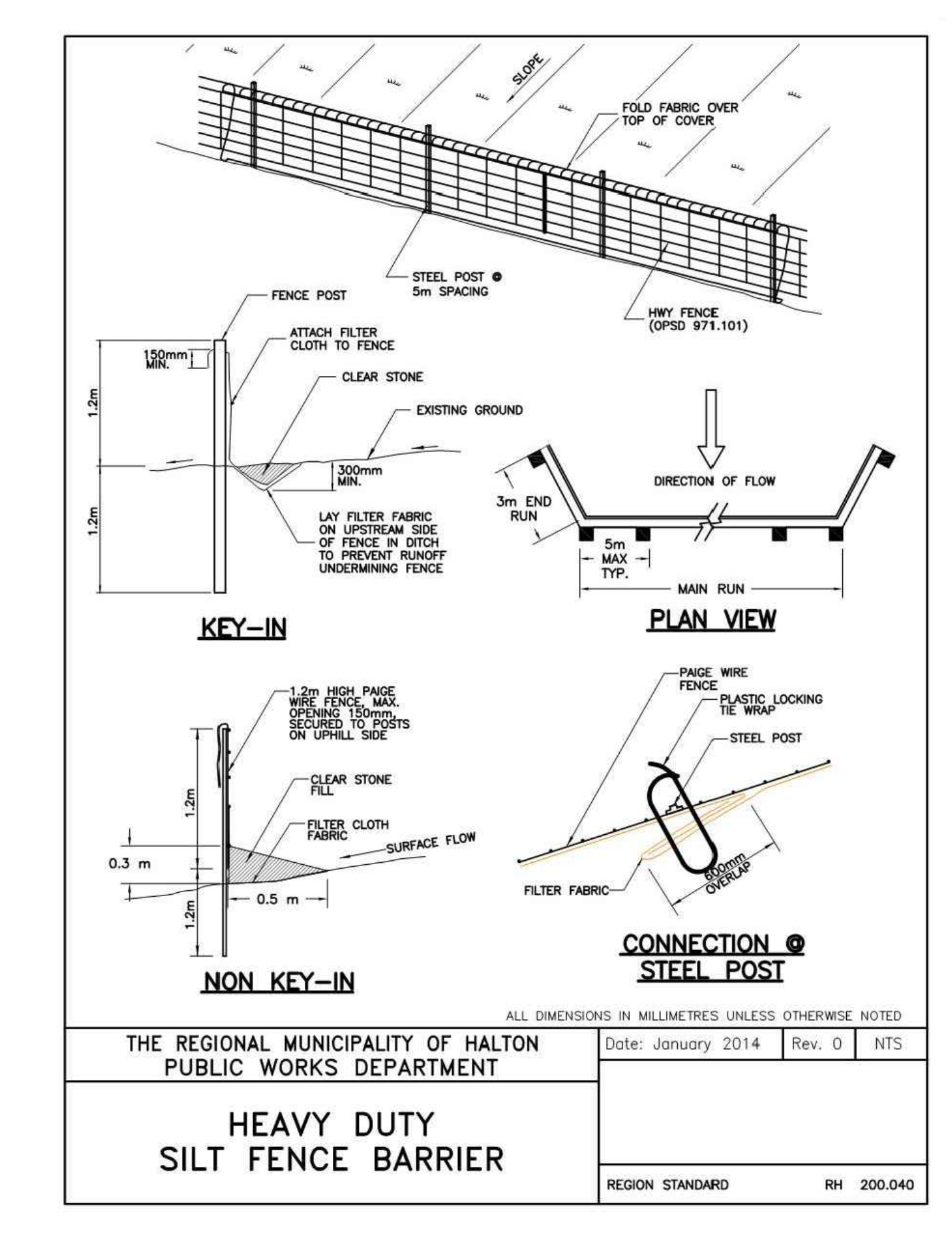
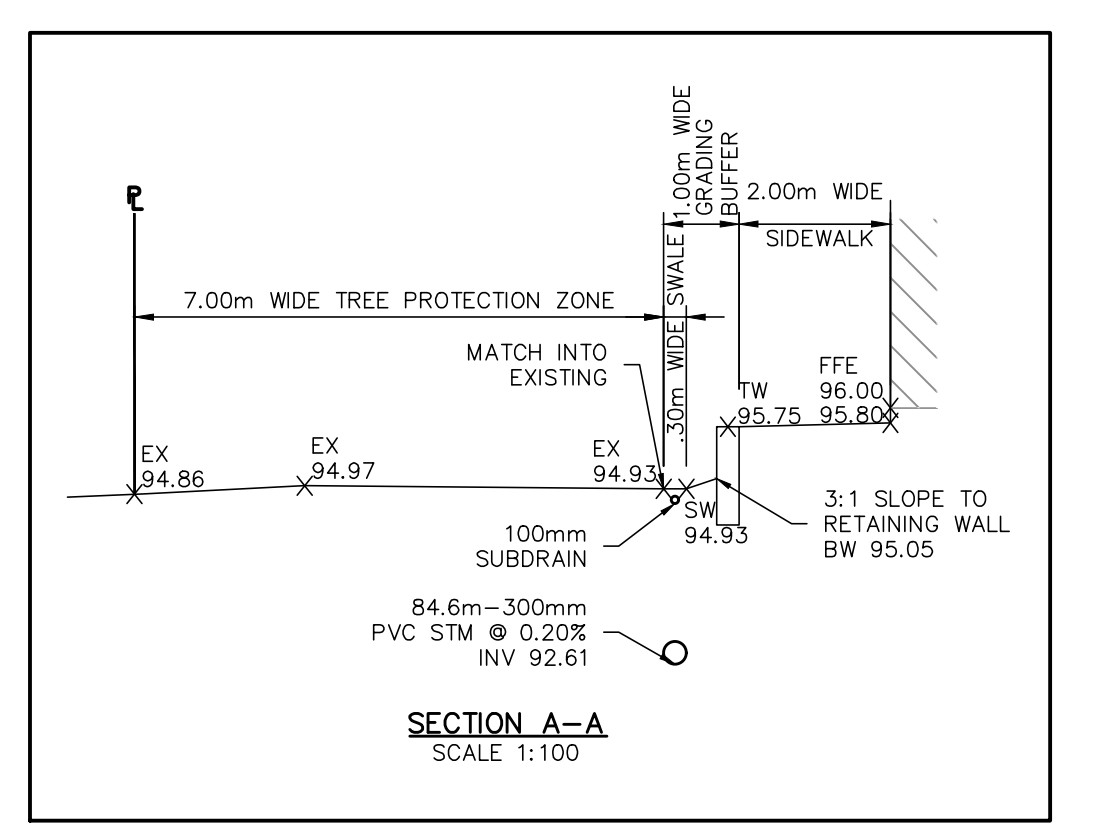
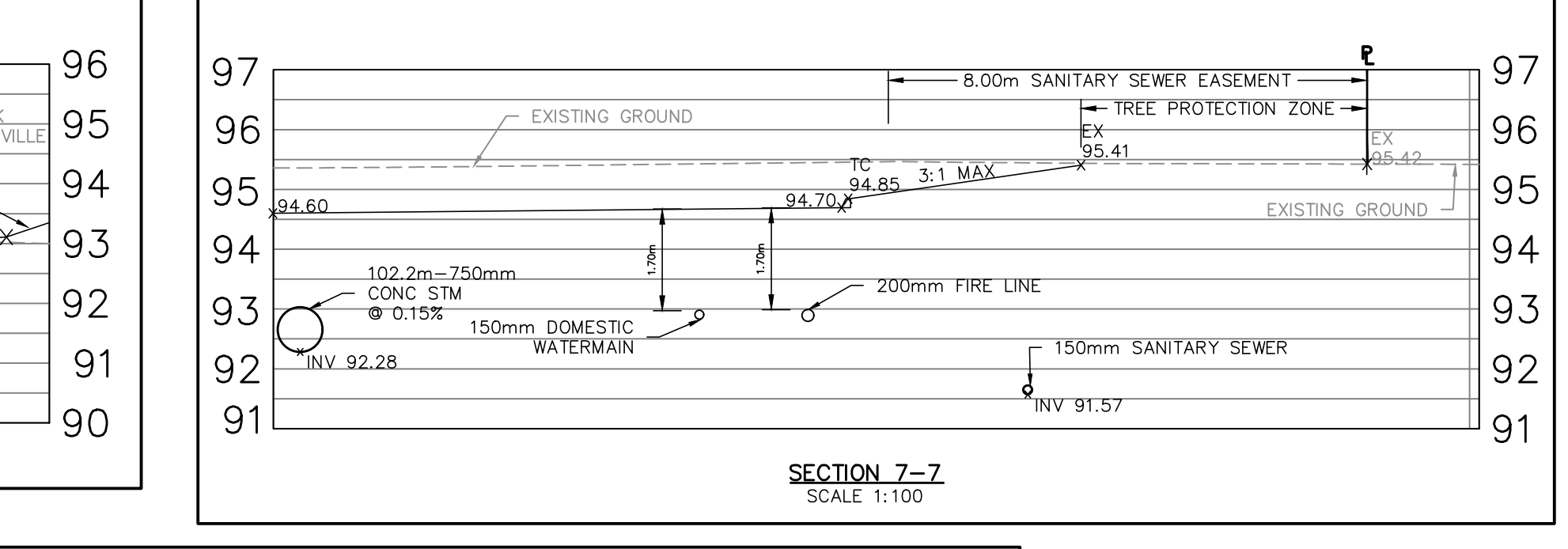
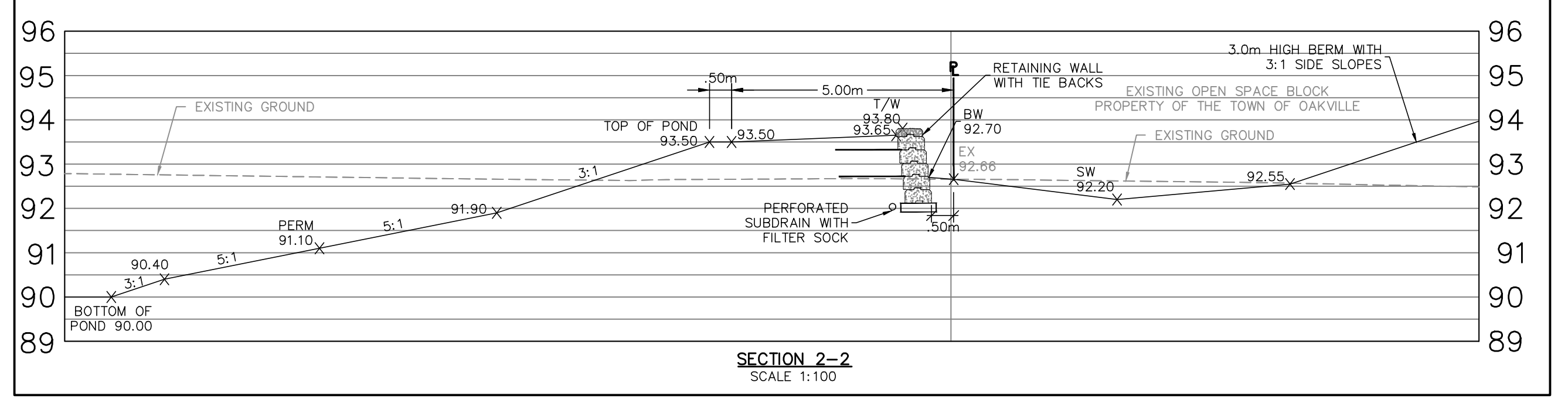
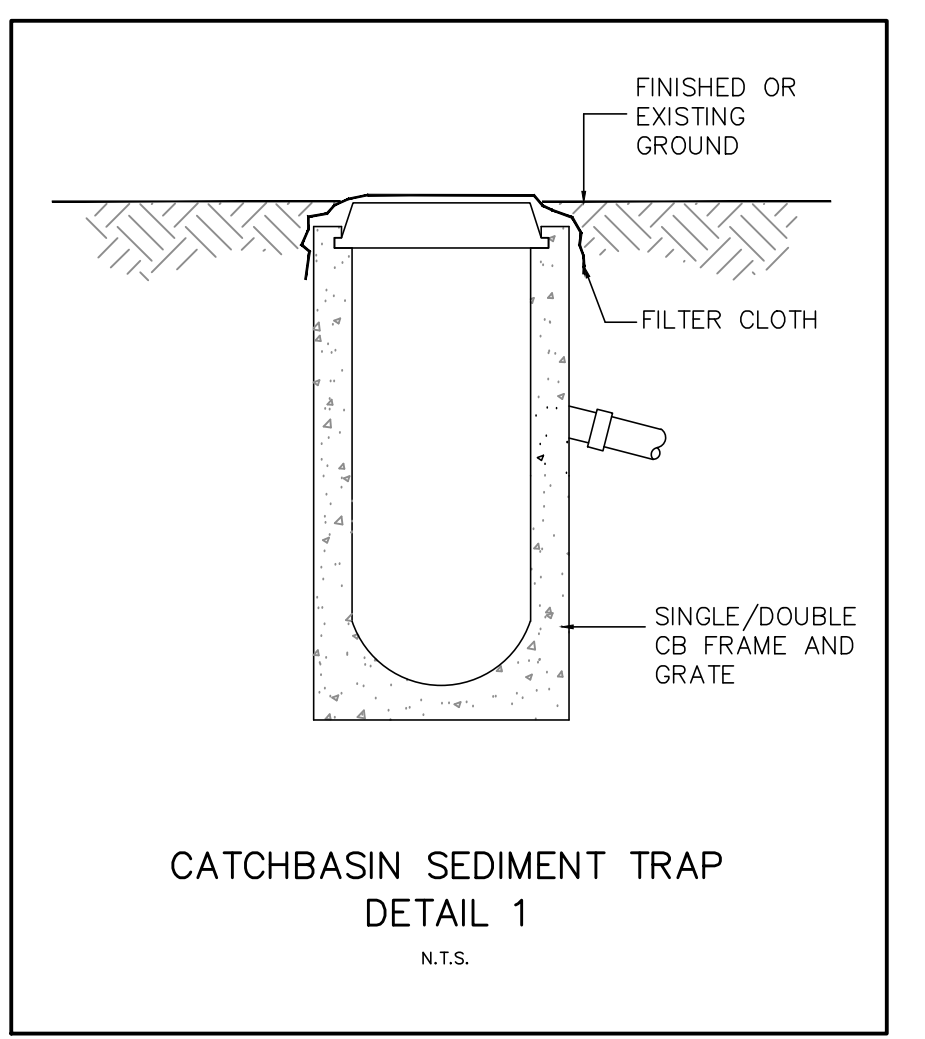
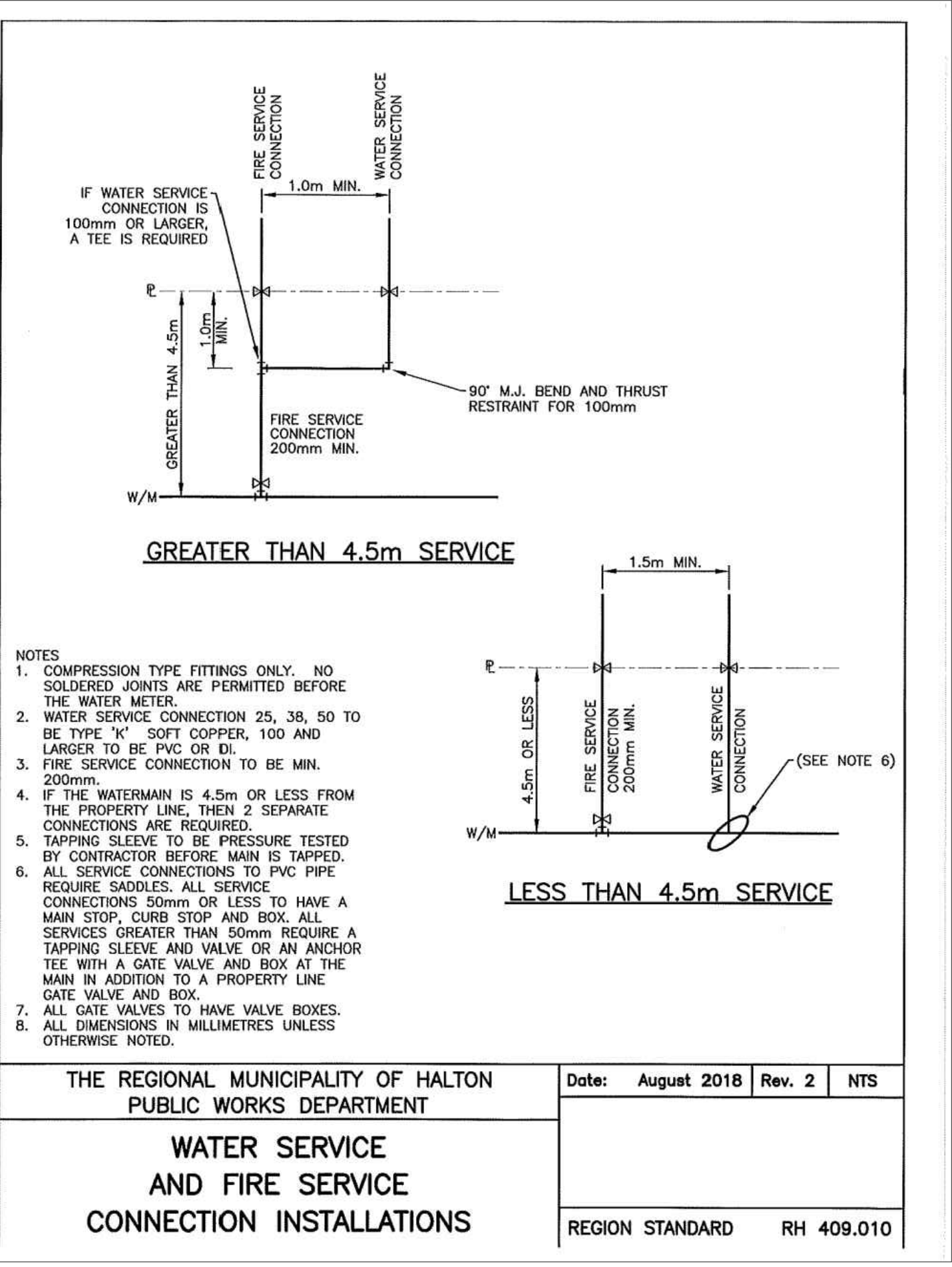
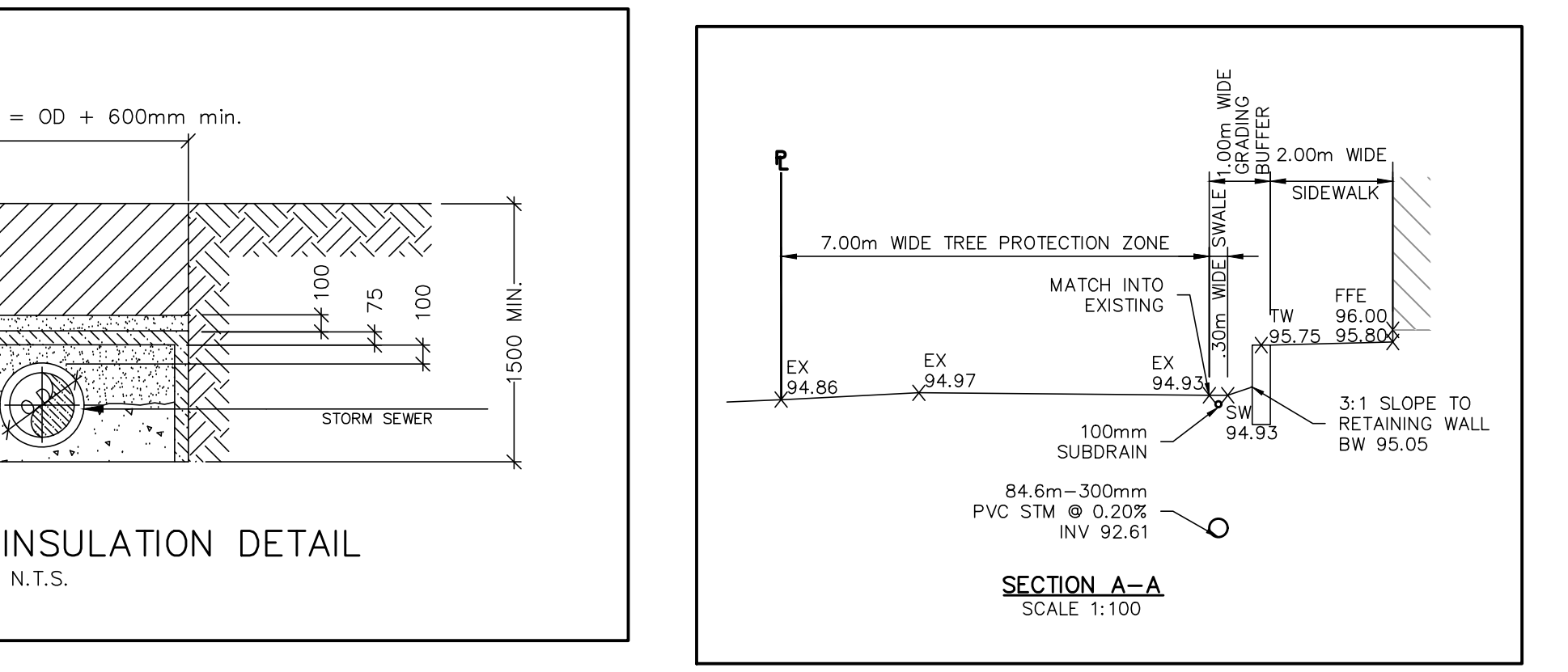
MAINTENANCE - THE ENTRANCE SHALL BE MAINTAINED IN A CONDITION WHICH WILL PREVENT TRACKING OR FLOWING OF SEDIMENT ONTO PUBLIC RIGHT-OF-WAY. THIS MAY REQUIRE PERIODIC TOP DRESSING WITH ADDITIONAL STONE AS CONDITIONS DEMAND AND REPAIR AND/OR CLEANOUT OF ANY MEASURES USED TO TRAP SEDIMENT. ALL SEDIMENT SPILLED, DROPPED, WASHED OR TRACKED ONTO PUBLIC RIGHT-OF-WAY MUST BE REMOVED IMMEDIATELY.

WASHING - WHEELS SHALL BE CLEANED TO REMOVE SEDIMENT PRIOR TO ENTRANCE ONTO PUBLIC RIGHT-OF-WAY. WHEN WASHING IS REQUIRED, IT SHALL BE DONE ON AN AREA STABILIZED WITH STONE AND WHICH DRAINS INTO AN APPROVED SEDIMENT TRAPPING DEVICE.

PERIODIC INSPECTION AND NEEDED MAINTENANCE SHALL BE PROVIDED AFTER EACH RAIN.



NOTES:
1. Washer shall not be installed at front face of rail. Type ② bolt located at center of steel beam guide rail.
2. Steel beam guide rail mounting heights shall be as specified.
3. One new hole shall be punched as required to attach new offset block. Punching of second new hole is acceptable. New holes shall be treated according to ASTM A760. New holes shall not be flame cut.
A. This OPSD shall be read in conjunction with OPSD 912.103 and 912.104.
B. All dimensions are in millimetres unless otherwise shown.



THE REGIONAL MUNICIPALITY OF HALTON PUBLIC WORKS DEPARTMENT
Date: August 2018 Rev. 2 NTS

WATER SERVICE AND FIRE SERVICE CONNECTION INSTALLATIONS
REGION STANDARD RH 409.010

HEAVY DUTY SILT FENCE BARRIER
REGION STANDARD RH 200.040

TOWN OF OAKVILLE REGION OF HALTON
STORMWATER MANAGEMENT PLAN DETAILS

SCALE: 1:500 DATE: MAY 2019 PROJ. NO: 1870
DRAWN: A.D.D. CHK'D: A.M.C. PLAN NO:
DESIGNED: A.M.C. SHEET 10F1 C-1