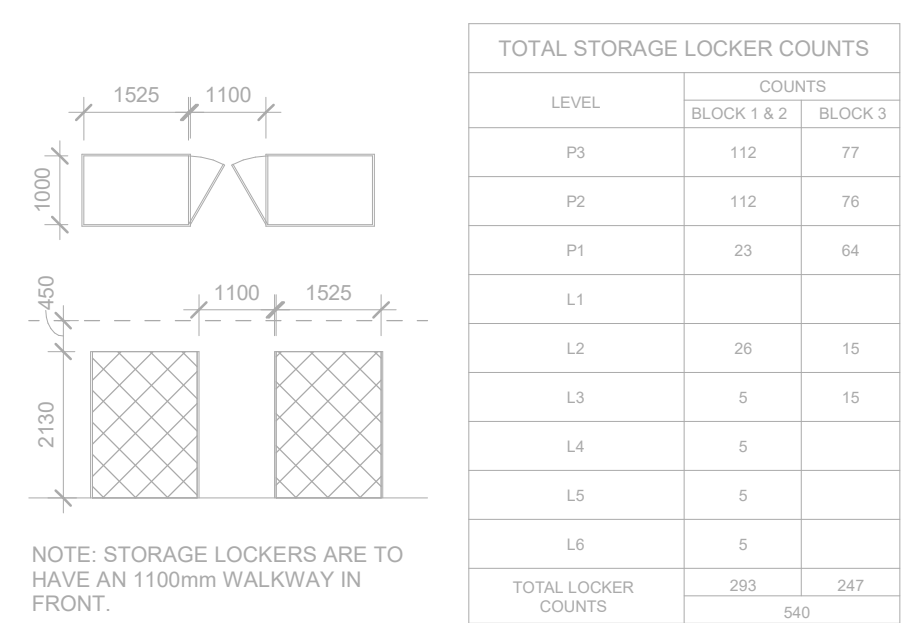
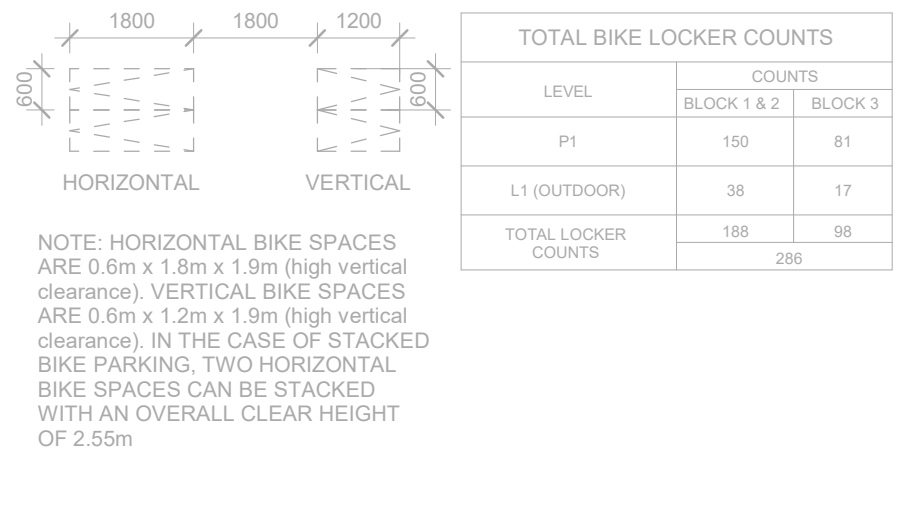


TYPICAL STORAGE LOCKER :



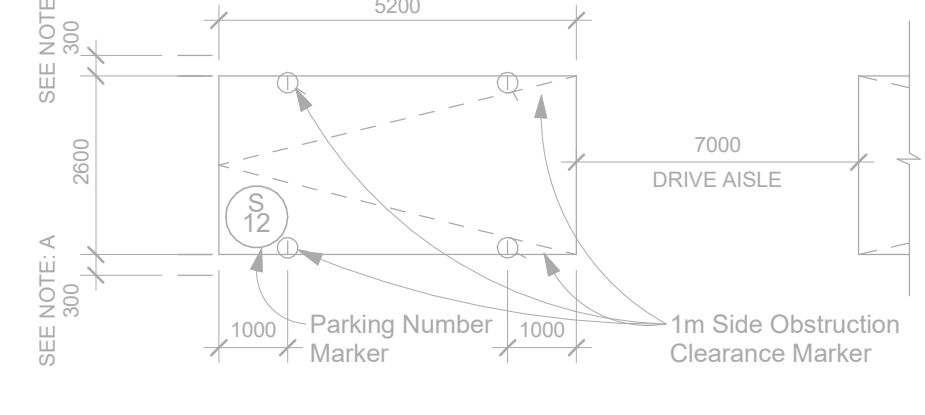
Locker Notes 4 NTS dA1.3

TYPICAL BICYCLE PARKING SPACE :

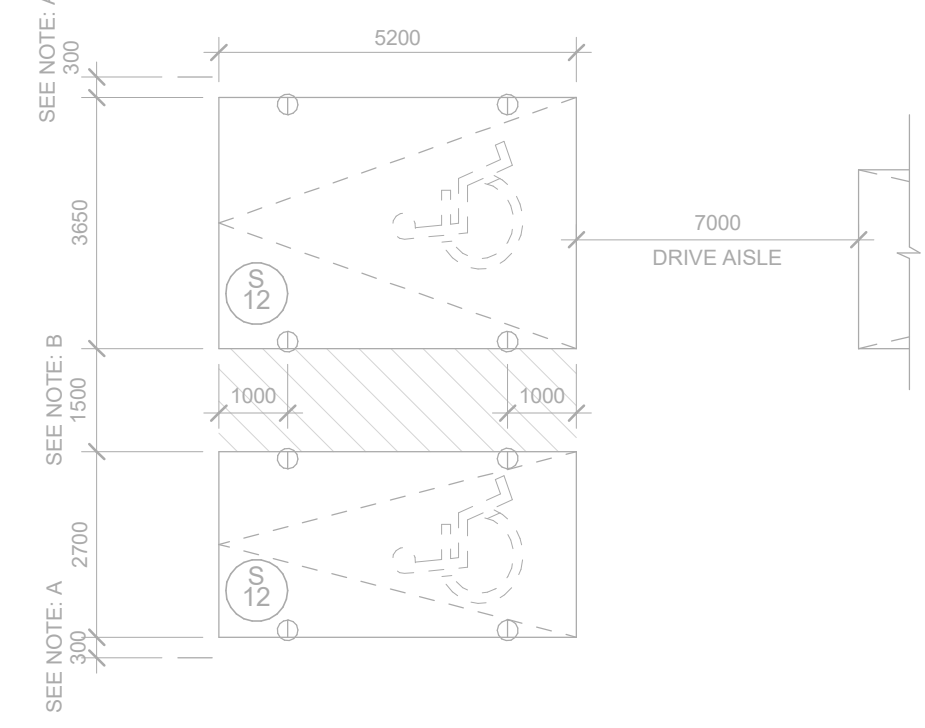


Bike Notes 5 NTS dA1.3

TYPICAL PARKING SPACE: Drive Aisle @ 7m min.



HANDICAP PARKING SPACE:



General Parking Notes 3 NTS dA1.3

REGION OF HALTON DEVELOPMENT DESIGN GUIDELINES FOR SOURCE SEPARATION OF SOLID WASTE

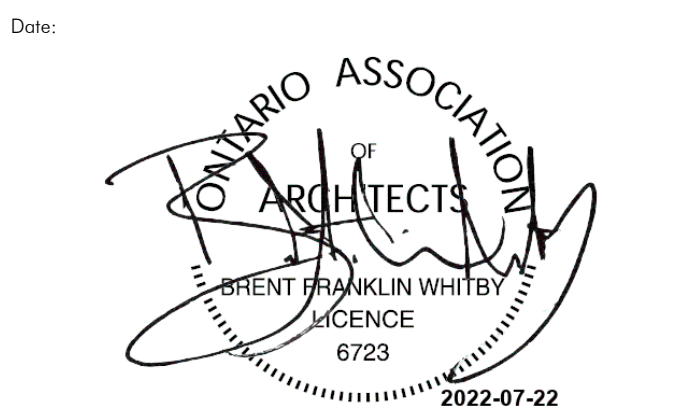
WASTE MANAGEMENT NOTES :

Table with columns for Waste Collection & Storage, including counts for Garbage, Recycling, and Organics across different blocks.

GENERAL NOTES: A TRAINED ON-SITE STAFF TO BE AVAILABLE TO MANEUVER THE WASTE COLLECTION BINS...

Waste Management Notes 2 NTS dA1.3

All Drawings, Specifications, and Related Documents are the Copyright of the Architect. The Architect retains all rights to control all uses of these documents...



KIRKOR ARCHITECTS AND PLANNERS 20 De Boers Dr. # 400 Toronto ON M3J 0H1 Tel: 416 665 6060 kirkorarchitects.com

Revision table with columns for No., Revision, and Date.

Revision table with columns for No., Issued For, and Date.

Site Plan

Daniels Emshik Oakvillage Corporation

Oakville Yards

377 Dundas St E (Block 1), 387 Dundas St E (Block 2), 411 Dundas St E (Block 3) Oakville, Ontario Proposed Residential Development

Table with columns for As Indicated, Drawn By, Checked By, Project No., Date, and Drawing No.

Site Plan 1 dA1.3