

MH	OPSD	T/G	INVERTS	DROP PIPE
CTRL.MHC1	(OPSD 701.011)	183.54	NW180.95	
MHC2	(OPSD 701.011)	184.02	SE181.07 NE181.30 NW181.30	
MHC3	(OPSD 701.010)	184.64	SE181.91 NE181.59 NW183.24	
MHC4	(OPSD 701.010)	185.87	SW183.17 NE183.24	
MHC5	(OPSD 701.010)	187.22	SW184.53	
MHC6	(OPSD 701.010)	184.83	SW182.03 NE182.11	
MHC7	(OPSD 701.010)	185.87	SW183.08	

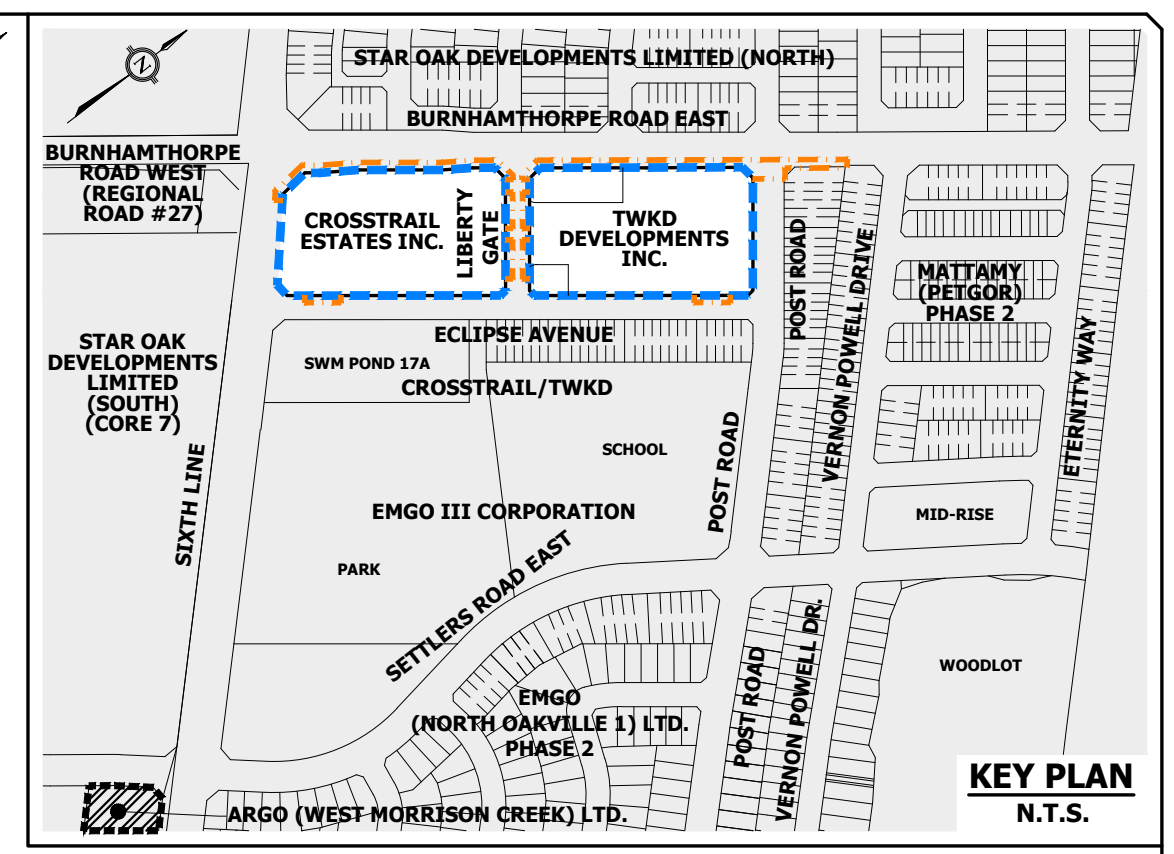
MH	OPSD	T/G	INVERTS	DROP PIPE
EX. CTRL.MH1	(OPSD 701.011)	183.54	SE180.88	
EX. MH2	1800x2400mm PRECAST CONC. BOX	183.40	SW180.59 NW180.82 NE180.61	

MH	OPSD	T/G	INVERTS	DROP PIPE
CTRL.MHC1A	(OPSD 701.010)	183.54	NW179.04	
MHC2A	(OPSD 701.010)	184.03	SE180.42 NE180.48 NW180.45	
MHC3A	(OPSD 701.010)	184.58	SE181.13 NE181.12 NW181.12	
MHC4A	(OPSD 701.010)	187.19	SW183.65	
MHC5A	(OPSD 701.010)	185.86	SW182.21	
MHC6A	(OPSD 701.010)	186.05	NE182.57 SW182.54	
MHC7A	(OPSD 701.010)	184.94	NE181.41 SW181.38	

MH	OPSD	T/G	INVERTS	DROP PIPE
EX. CTRL.MH1A	(OPSD 701.010)	183.54	SE179.91	
EX. MH2A	(OPSD 701.010)	183.32	S179.76 NW179.76 NW179.76	

CROSSING	WM	STM	CLEARANCE (m)
L1	INV 184.08 OBV 184.28	INV 184.78 OBV 185.03	0.50 min.
L2	INV 182.32 OBV 182.52	INV 183.02 OBV 183.27	0.50 min.
L3	INV 181.75 OBV 181.95	INV 182.45 OBV 182.70	0.50 min.
L4	INV 183.02 OBV 183.22	INV 183.72 OBV 183.97	0.50 min.
L5	INV 182.28 OBV 182.48	INV 182.98 OBV 183.23	0.50 min.

CROSSING	WM	STM	SAN	CLEARANCE (m)
X1	N/A	INV 181.06 OBV 181.66	INV 180.50 OBV 180.70	0.36
X2	INV 182.25 OBV 182.45	INV 181.05 OBV 181.65	N/A	0.60



LEGEND

- BARRIER CURB & GUTTER (OPSD 600.070)
- SEMI-MOUNTABLE CURB & GUTTER (OPSD 600.060)
- STORM SEWER AND MANHOLE
- SANITARY SEWER AND MANHOLE
- WATERMAIN
- EXISTING STORM SEWER AND BOX MANHOLE
- EXISTING STORM SEWER AND CIRCULAR MANHOLE
- EXISTING CLEAN WATER SEWER AND MANHOLE
- EXISTING SANITARY SEWER AND MANHOLE
- EXISTING WATERMAIN
- 25mm WATER SERVICE CONNECTION
- DOUBLE STM. & SAN. SERVICE CONNECTION
- SINGLE/REARLOT CATCHBASIN
- DOUBLE CATCHBASIN
- HYDRANT & VALVE (RH 406.010)
- VALVE CHAMBER (RH 406.020)
- VALVE CHAMBER (RH 402.020, 402.080)
- BOREHOLE AND BOREHOLE ID
- 1.800mm (6.00") CPVC HALLBOX PAD (OPSD 600.070)
- CPVC SPEC. 1201-ENG-08 WITHOUT PATHWAY, 5-MODULES
- OVERLAND FLOW DIRECTION
- EX. OVERLAND FLOW DIRECTION
- FUTURE/EXTERNAL DEVELOPMENT
- LIMIT OF SUBDIVISION
- EXTERNAL CONSTRUCTION LIMIT
- OVERHEAD HYDRO WIRE
- STREET LIGHT
- HYDRO POLE
- TRANSFORMER
- DRIVEWAY

Plans and drawings approved pursuant to the Planning Act.
 Planning & Development Department
 15-May-2026
 Town of Oakville

- NOTES:**
- FOR GENERAL NOTES, REFER TO DWG. 100.
 - FOR DETAILS OF SERVICE CONNECTIONS TO BLOCK REFER TO CROSSTRAIL ESTATES INC./TWKD DEVELOPMENTS INC., PROJECT 18-578 BY URBANTECH CONSULTING.
 - GEOTECHNICAL REFERENCES REFER TO PRELIMINARY GEOTECHNICAL INVESTIGATION, CROSSTRAIL ESTATES INC./TWKD DEVELOPMENTS INC. BY GOLDER ASSOCIATES LTD. REFERENCE NO.: 1792964, REPORT DATE: AUGUST 9, 2016.
 - ALL UNITS SHALL BE PROVIDED WITH SUMP PUMP WITH DIRECT STORM CONNECTION TO STORM SEWER AS PER DETAIL DWG. 705.
 - NEW WATER SERVICING TO BE BUILT WITH PHYSICAL SEPARATION FROM LIVE WATER SERVICING FOR TESTING PURPOSES.
 - ALL UNITS TO BE EQUIPPED WITH WATER METER (RH 500.010, RH 500.011)
 - ALL UNITS TO CONPLY WITH SECTION 7.4.6.4 (3b) OF THE ONTARIO BUILDING CODE REGARDING BACKWATER VALVE REQUIREMENTS.
 - ALL UNITS REQUIRE PRESSURE REDUCING VALVES.

BENCHMARK NOTE

ELEVATION IS REFERRED TO TOWN OF OAKVILLE BENCHMARK NO. 145, LOCATED AT THE NORTHEAST CORNER OF CONCRETE BOX CULVERT UNDER SIXTH LINE 0.70 km NORTH OF DUNDAS STREET WEST.

No.	REVISION	DATE	BY	APPD
7	5th SUBMISSION SITE PLAN APPLICATION	FEB. 20, 2026	O.S.	O.S.
6	4th SUBMISSION SITE PLAN APPLICATION	DEC. 8, 2025	O.S.	O.S.
5	REVISED ISSUED FOR PLUMBING PERMIT	JUN. 12, 2024	A.L.	O.S.
2	1st SUBMISSION SITE PLAN APPLICATION	JAN. 9, 2024	A.L.	O.S.
1	PRE-SUBMISSION	JUNE 12, 2023	A.L.	O.S.

CROSSTRAIL ESTATES INC. TWKD DEVELOPMENTS INC.
 BLOCKS 9, 10, 17 & 18, PLAN 20M-1302 (CROSSTRAIL/TWKD)

REGIONAL MUNICIPALITY OF HALTON TOWN OF OAKVILLE

TOWN FILE NO. SP.1315.004/01 REGION FILE NO.

MUNICIPAL APPROVED IN PRINCIPAL SUBJECT TO DETAIL CONSTRUCTION CONFORMING TO TOWN STANDARDS AND SPECIFICATIONS.

SIGNED: _____ DATE: _____
 MANAGER OF DEVELOPMENT SERVICES

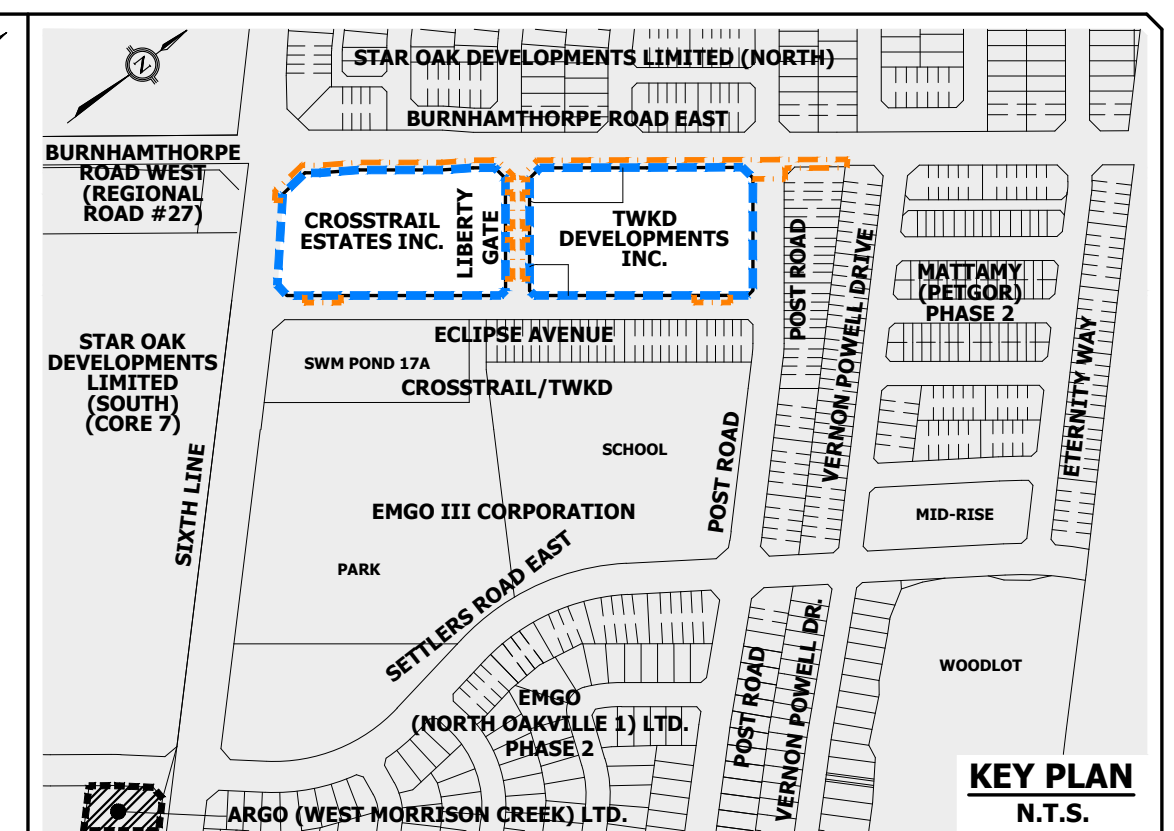
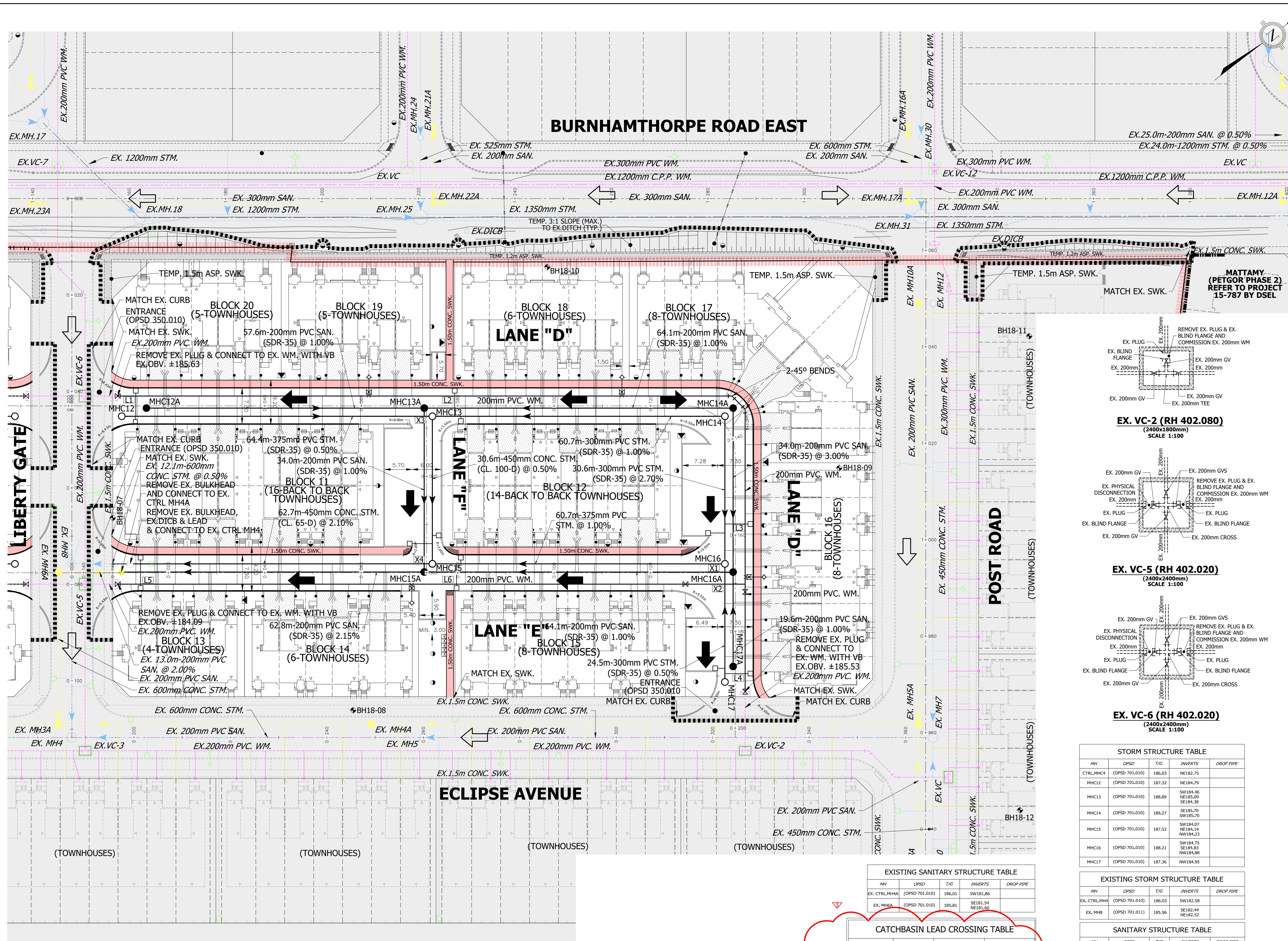
SIGNED: _____ DATE: _____
 LEGISLATIVE AND PLANNING SERVICES

URBANTECH® Consulting
 A Division of Leighton-Zec Ltd.
 3760 14th Avenue, Suite 301,
 Markham, ON L3R 3T7
 TEL 905.946.9461 • urbantech.com

LICENCED PROFESSIONAL ENGINEER
 O.SOMERVILLE
 100120186
 EXP. 26. 2026
 PROVINCE OF ONTARIO

SERVICING PLAN (PART 1)

DESIGNED: _____ O.S. PROJECT No.: 18-579
 DRAWN: A.L. DATE: JUNE, 2023 SHEET No.:
 SCALE: 1:400 DRAWING No.: **101**



LEGEND

- BARRIER CURB & GUTTER (OPSD 600.070)
- SEMI-MOUNTABLE CURB & GUTTER (OPSD 600.090)
- STORM SEWER AND MANHOLE
- SANITARY SEWER AND MANHOLE
- WATERMAIN
- EXISTING STORM SEWER AND BOX MANHOLE
- EXISTING CLEAN WATER SEWER AND MANHOLE
- EXISTING SANITARY SEWER AND MANHOLE
- EXISTING WATERMAIN
- 25mm WATER SERVICE CONNECTION
- SINGLE STM. & SAN. SERVICE CONNECTION
- DOUBLE STM. & SAN. SERVICE CONNECTION
- SINGLE/REARLOT CATCHBASIN
- HYDRANT & VALVE (RH 407.010)
- VALVE CHAMBER (RH 406.020)
- BOREHOLE AND BOREHOLE ID
- 1.80x0.60m (6") CPVC HALLBOX PAD (OPSD 600.090)
- CPVC SPEC. 1201-ENG-08 WITHOUT PATHWAY, 5-MODULES
- OVERLAND FLOW DIRECTION
- EX. OVERLAND FLOW DIRECTION
- FUTURE/EXTERNAL DEVELOPMENT
- LIMIT OF SUBDIVISION
- EXTERNAL CONSTRUCTION LIMIT
- OVERHEAD HYDRO WIRE
- STREET LIGHT
- HYDRO POLE
- TRANSFORMER
- DRIVEWAY

Plans and drawings approved pursuant to the Planning Act.
 Planning & Development Department
 15-May-2026
 Town of Oakville

- NOTES:**
- FOR GENERAL NOTES, REFER TO DWG. 100.
 - FOR DETAILS OF SERVICE CONNECTIONS TO BLOCK REFER TO CROSSTRAIL ESTATES INC./TWKD DEVELOPMENTS INC., PROJECT 18-578 BY URBANTECH CONSULTING.
 - GEOTECHNICAL REFERENCES REFER TO PRELIMINARY GEOTECHNICAL INVESTIGATION, CROSSTRAIL ESTATES INC./TWKD DEVELOPMENTS INC. BY GOLDER ASSOCIATES LTD. REFERENCE NO.: 1792964, REPORT DATE: AUGUST 9, 2016.
 - ALL UNITS SHALL BE PROVIDED WITH SUMP PUMP WITH DIRECT STORM CONNECTION TO STORM SEWER AS PER DETAIL DWG. 705.
 - NEW WATER SERVICING TO BE BUILT WITH PHYSICAL SEPARATION FROM LIVE WATER SERVICING FOR TESTING PURPOSES.
 - ALL UNITS TO BE EQUIPPED WITH WATER METER (RH 500.010, RH 500.011)
 - ALL UNITS TO CONPLY WITH SECTION 7.4.6.4 (3b) OF THE ONTARIO BUILDING CODE REGARDING BACKWATER VALVE REQUIREMENTS.
 - ALL UNITS REQUIRE PRESSURE REDUCING VALVES.

BENCHMARK NOTE

ELEVATION IS REFERRED TO TOWN OF OAKVILLE BENCHMARK NO. 145, LOCATED AT THE NORTHEAST CORNER OF CONCRETE BOX CULVERT UNDER SIXTH LINE 0.70 km NORTH OF DUNDAS STREET WEST.

No.	REVISION	DATE	BY	APP'D
7	5th SUBMISSION SITE PLAN APPLICATION	FEB. 20, 2026	O.S.	O.S.
6	4th SUBMISSION SITE PLAN APPLICATION	DEC. 8, 2025	O.S.	O.S.
5	REVISED ISSUED FOR PLUMBING PERMIT	JUN. 12, 2024	A.L.	O.S.
4	2nd SUBMISSION SITE PLAN APPLICATION	JAN. 9, 2024	A.L.	O.S.
3	1st SUBMISSION SITE PLAN APPLICATION	JUNE 12, 2023	A.L.	O.S.
2	PRE-SUBMISSION	JUNE 12, 2023	A.L.	O.S.
1	PRE-SUBMISSION	JUNE 12, 2023	A.L.	O.S.

CROSSTRAIL ESTATES INC. TWKD DEVELOPMENTS INC.
 BLOCKS 9, 10, 17 & 18, PLAN 20M-1302 (CROSSTRAIL/TWKD)

REGIONAL MUNICIPALITY OF HALTON
TOWN OF OAKVILLE

TOWN FILE NO. SP.1315.004/01 REGION FILE No.

MUNICIPAL REGIONAL

APPROVED IN PRINCIPAL SUBJECT TO DETAIL CONSTRUCTION CONFORMING TO TOWN STANDARDS AND SPECIFICATIONS.

SIGNED: _____ DATE: _____ SIGNED: _____ DATE: _____
 MANAGER OF DEVELOPMENT SERVICES LEGISLATIVE AND PLANNING SERVICES

URBANTECH® **urbantech.com**

URBANTECH® CONSULTING
 A Division of Leighton-Zec Ltd.
 3760 14th Avenue, Suite 301,
 Markham, ON L3R 3T7
 TEL 905.946.9461 • urbantech.com

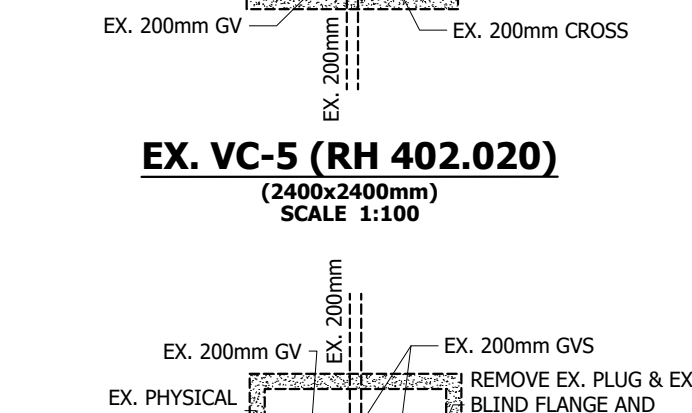
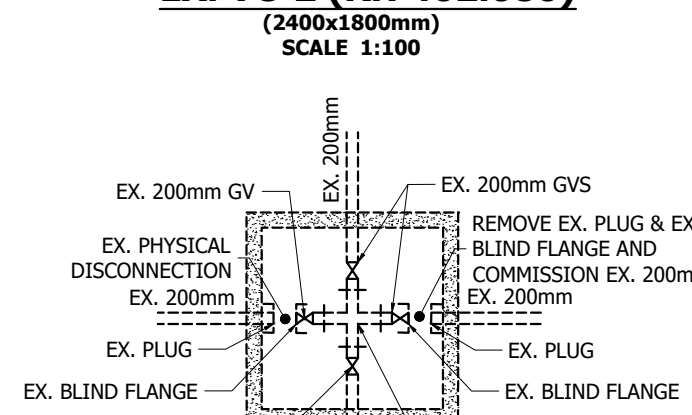
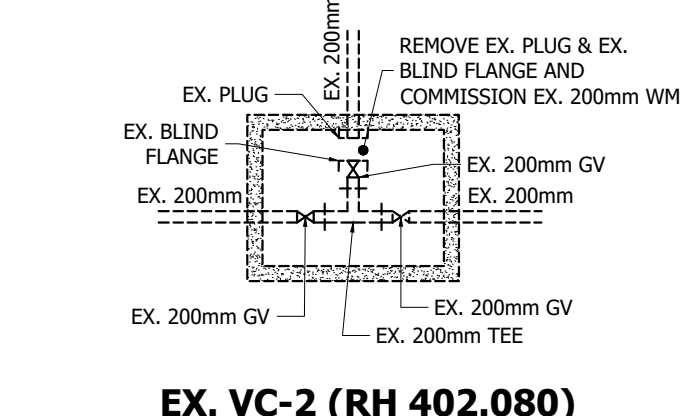
LICENSED PROFESSIONAL ENGINEER
 O.S. J. SOMERVILLE
 100120186
 FEB 20, 2026
 PROVINCE OF ONTARIO

SERVICING PLAN (PART 2)

DESIGNED: _____ O.S. CHECKED: _____ O.S. PROJECT No.: 18-579

DRAWN: A.L. DATE: JUNE, 2023 SHEET No.: 102

SCALE: 1:400



STORM STRUCTURE TABLE

MH	OPSD	T/G	INVERTS	DROP PIPE
CTRL_MHCA	(OPSD 701.010)	186.03	NE182.75	
MHC12	(OPSD 701.010)	187.32	NE184.79	
MHC13	(OPSD 701.010)	188.89	SW184.46 NE185.89 SE184.38	
MHC14	(OPSD 701.010)	189.27	SE185.70 SW185.70	
MHC15	(OPSD 701.010)	187.52	SW184.07 NE184.14 NW184.23	
MHC16	(OPSD 701.010)	188.21	SW184.75 SE184.83 NW184.88	
MHC17	(OPSD 701.010)	187.36	NW184.95	

EXISTING STORM STRUCTURE TABLE

MH	OPSD	T/G	INVERTS	DROP PIPE
EX_CTRL_MHCA	(OPSD 701.010)	186.03	SW182.58	
EX_MHB	(OPSD 701.011)	185.06	SE182.44 NE182.52	

SANITARY STRUCTURE TABLE

MH	OPSD	T/G	INVERTS	DROP PIPE
CTRL_MHCA	(OPSD 701.010)	186.01	NE181.90	
MHC12A	(OPSD 701.010)	187.50	NE184.30	
MHC13A	(OPSD 701.010)	188.90	SW183.72 NE185.16 SE183.66	NE183.69 (OPSD 1003.020)
MHC14A	(OPSD 701.010)	189.21	SW185.00 SE185.00	
MHC15A	(OPSD 701.010)	187.53	NW183.32 SW183.32 NE183.38	
MHC16A	(OPSD 701.010)	188.20	NW184.78 SW183.98 SW183.92	NW183.95 (OPSD 1003.020)
MHC17A	(OPSD 701.010)	187.52	NW184.17	

EXISTING SANITARY STRUCTURE TABLE

MH	OPSD	T/G	INVERTS	DROP PIPE
EX_CTRL_MHCA	(OPSD 701.010)	186.01	SW181.86	
EX_MHA	(OPSD 701.010)	185.81	SE181.54 NE181.60	

CATCHBASIN LEAD CROSSING TABLE

CROSSING	WM	STM	CLEARANCE (m)
L1	INV 185.52 OBV 185.72	INV 186.22 OBV 184.47	0.50 min.
L2	INV 187.14 OBV 187.34	INV 187.84 OBV 188.09	0.50 min.
L3	INV 186.63 OBV 186.83	INV 187.33 OBV 187.58	0.50 min.
L4	INV 185.47 OBV 185.67	INV 186.17 OBV 186.42	0.50 min.
L5	INV 184.02 OBV 184.22	INV 184.72 OBV 184.97	0.50 min.
L6	INV 185.77 OBV 185.97	INV 186.47 OBV 186.72	0.50 min.

MAINLINE CROSSING TABLE

CROSSING	WM	STM	SAW	CLEARANCE (m)
X1	N/A	INV 184.88 OBV 185.18	INV 183.90 OBV 184.10	0.78
X2	INV 186.19 OBV 186.39	INV 184.89 OBV 185.19	N/A	1.00
X3	N/A	INV 184.60 OBV 184.97	INV 183.64 OBV 183.84	0.76
X4	N/A	INV 184.09 OBV 184.54	INV 183.33 OBV 183.53	0.56