

NOTES:

- ALL DRAWINGS AND SPECIFICATIONS ARE THE PROPERTY OF FORREC Ltd.
- THE CONTRACTOR SHALL VERIFY ALL DIMENSIONS AND INFORMATION ON SITE AND REPORT ANY DISCREPANCIES TO THE CONSULTANT BEFORE PROCEEDING.
- BASE INFORMATION BASED UPON TOPOGRAPHIC SURVEY DRAWING PROVIDED BY THE LANDSCAPE ARCHITECT ON SITE.
- CONTRACTOR TO VERIFY LEGAL PROPERTY LINES AND UTILITIES IN FIELD PRIOR TO STARTING CONSTRUCTION.
- CONTRACTOR TO LOCATE AND PROTECT ALL ABOVE AND BELOW GRADE UTILITIES PRIOR TO THE START OF CONSTRUCTION.
- CONTRACTOR TO ACCURATELY SURVEY AND LAYOUT THE PROPOSED WORK FOR CONSTRUCTION. CONTRACTOR TO VERIFY GRADES, LINES, LEVELS, DIMENSIONS AND INTERIM CONDITIONS, AND REPORT ANY ERRORS, OMISSIONS, OR INCONSISTENCIES TO THE CONSULTANT BEFORE PROCEEDING WITH THE WORK.

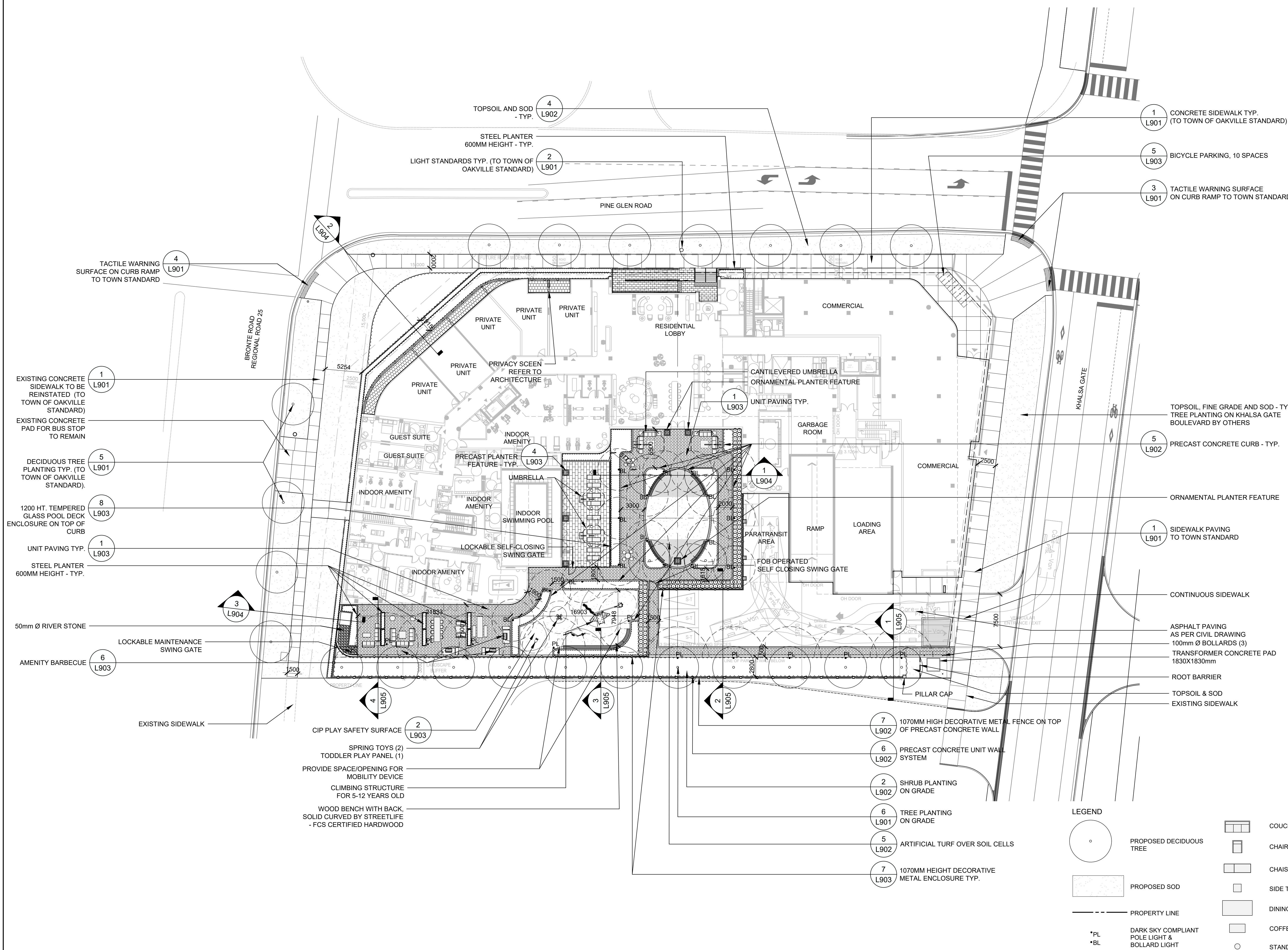
NO.	DATE	DESCRIPTION
01	2021-12-02	Progress SPA Set
02	2021-12-02	Issued for Coordination
03	2021-12-03	Draft - Issued for Review
04	2021-12-06	Issued for SPA
05	2022-05-27	Re-issued for SPA
06	2022-12-02	Re-issued for SPA

CLIENT

NORTH ARROW	STAMP

PROJECT	3020 PINE GLEN ROAD (2418 KHALSA GATE)	2418 KHALSA GATE, OAKVILLE
DRAWING TITLE	LANDSCAPE LAYOUT PLAN	
DATE	2021-12-06	SCALE
DRAWN BY	AM	CHECKED BY
PROJECT NO.	21-150	
DRAWING NO.		

L101



NOTES:

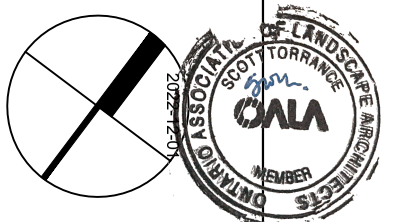
- ALL DRAWINGS AND SPECIFICATIONS ARE THE PROPERTY OF FORREC LTD.
- THE CONTRACTOR SHALL VERIFY ALL DIMENSIONS AND INFORMATION ON SITE AND REPORT ANY DISCREPANCIES TO THE CONSULTANT BEFORE PROCEEDING.
- BASE INFORMATION BASED UPON TOPOGRAPHIC SURVEY DRAWING PROVIDED BY THE CLIENT AND FIELD DATA COLLECTED BY THE LANDSCAPE ARCHITECT ON SITE.
- CONTRACTOR TO VERIFY LEGAL PROPERTY LINES AND UTILITIES IN FIELD PRIOR TO STARTING CONSTRUCTION.
- CONTRACTOR TO LOCATE AND PROTECT ALL ABOVE AND BELOW GRADE UTILITIES PRIOR TO THE START OF CONSTRUCTION.
- CONTRACTOR TO ACCURATELY SURVEY AND LAYOUT THE PROPOSED WORK FOR CONSTRUCTION. CONTRACTOR TO VERIFY GRADES, LINES, LEVELS, DIMENSIONS AND INTERIM CONDITIONS, AND REPORT ANY ERRORS, OMISSIONS, OR INCONSISTENCIES TO THE CONSULTANT BEFORE PROCEEDING WITH THE WORK.

NO.	DATE	DESCRIPTION
01	2021-12-02	Progress SPA Set
02	2021-12-02	Issued for Coordination
03	2021-12-03	Draft - Issued for Review
04	2021-12-06	Issued for SPA
05	2022-05-27	Re-issued for SPA
06	2022-12-02	Re-issued for SPA

CLIENT

NORTH ARROW

STAMP



PROJECT
3020 PINE GLEN ROAD
(2418 KHALSA GATE)

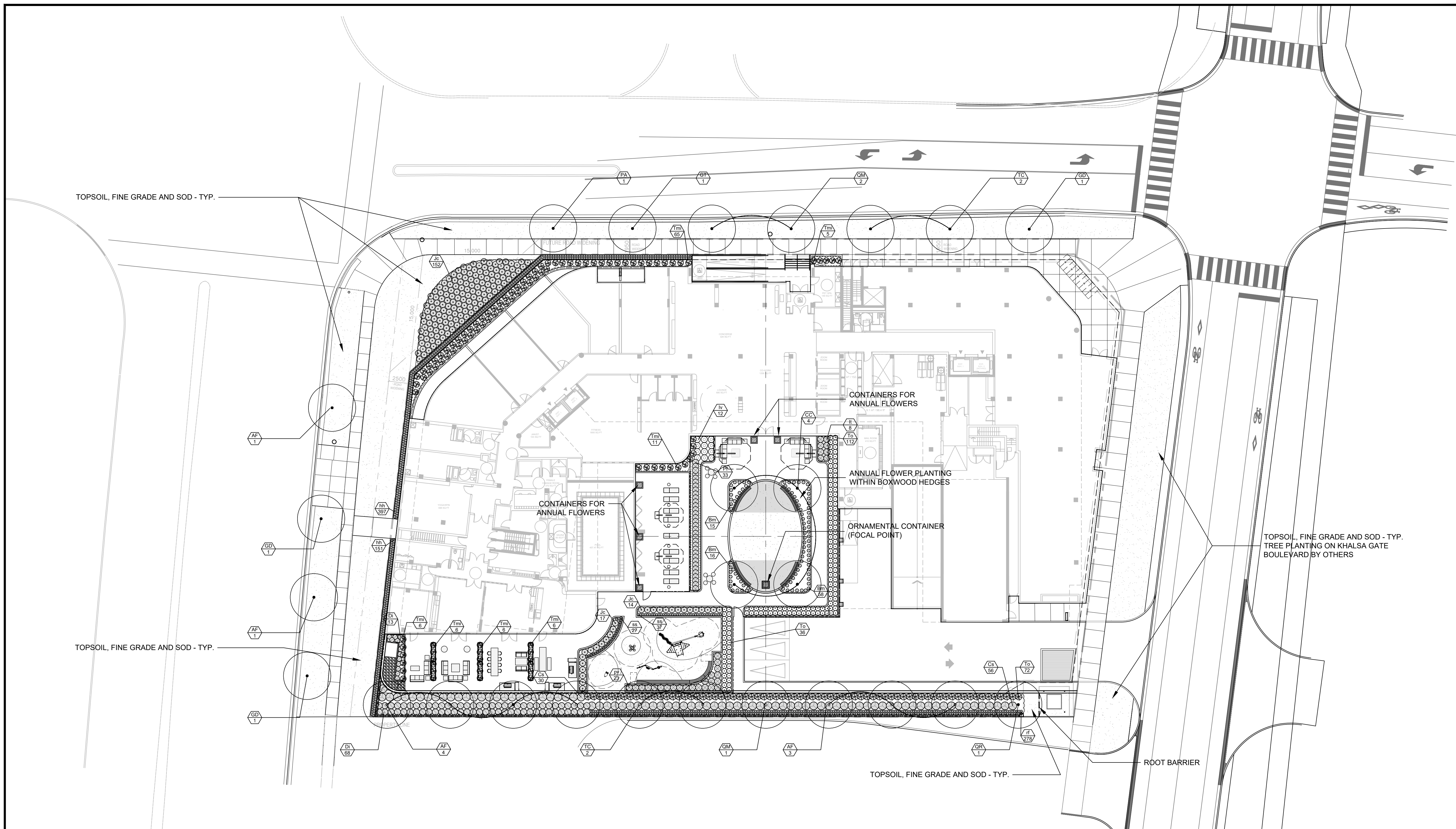
DRAWING TITLE
LANDSCAPE PLANTING PLAN

2418 KHALSA GATE, OAKVILLE
DRAWING TITLE

DATE	SCALE
2021-12-06	1:250
DRAWN BY SA	CHECKED BY ST

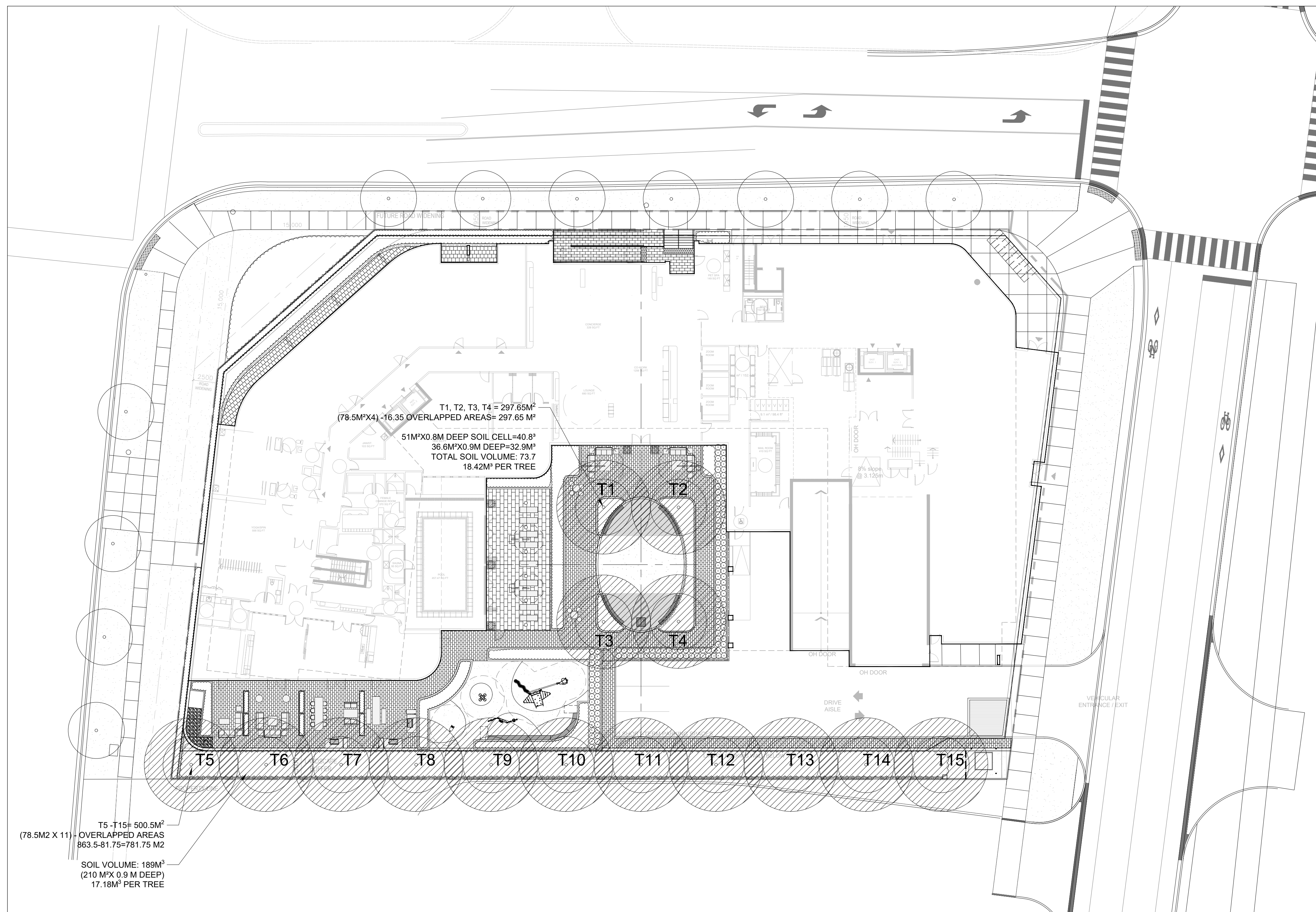
PROJECT NO.
21-150
DRAWING NO.

L102



PLANTING SCHEDULE

Key	Botanical Name	Common Name	Quantity	Size	Condition	Spacing	Native / Nativar	Drt Tint	NOT ON CSA 2614	Note
Trees										
AF	<i>Acer x freemanii</i>	Freeman Maple	9	60mm cal.	WB	See Plan	Y	Y	Y	
CC	<i>Crataegus crus-galli 'crusader'</i>	Crusader Hawthorn	4	45mm cal.	WB	See plan	Y	N	Y	
GD	<i>Gymnocladus dioica</i>	Kentucky coffeetree	3	60mm cal.	WB	See plan	Y	Y	N	Located away from play area in streetscape.
GT	<i>Gleditsia triacanthos</i>	Honey Locust	1	60mm cal.	WB	See plan	Y	Y	Y	
PA	<i>Platanus x acerifolia 'Bloodgood'</i>	Bloodgood Planetree	1	60mm cal.	WB	See plan	N	Y	Y	
QM	<i>Quercus marcocarpa</i>	Bur Oak	3	60mm cal.	WB	See plan	Y	Y	Y	
QR	<i>Quercus robur</i>	English Oak	1	60mm cal.	WB	See plan	Y	Y	Y	
TC	<i>Tilia cordata</i>	Littleleaf Linden	4	60mm cal.	WB	See plan	N	Y	Y	
Shrubs										
Bm	<i>Buxus x 'Green Gem'</i>	Green Gem Boxwood	89	40cm	3 gal.	60cm O.C.			N	Not located in play area.
Cs	<i>Cornus sericea 'Artic Fire'</i>	Artic Fire Dogwood	86		2 gal.	1000 O.C.	Y	N	Y	
Di	<i>Diervilla lonicera</i>	Bush Honeysuckle	81		2 gal.	800 O.C.	Y	Y	Y	
It	<i>Itea virginica</i>	Little Henry Sweetspire	8		2 gal.	80cm O.C.			Y	
Iv	<i>Ilex Verticillata</i>	Berry Poppins / Mr. Poppins	12		2 gal.	900 O.C.	Y	N	N	Not located in play area.
Jc	<i>Juniperus communis 'Green Carpet'</i>	Green Carpet Juniper	183	40cm	3 gal.	800mm O.C.	Y	Y	Y	
Pf	<i>Potentilla fruticosa</i>	Abbotswood Cinquefoil	33		2 gal.	50cm O.C.			Y	
Tmi	<i>Toxus x media 'Hilli'</i>	Hill's Yew	105	100cm ht	BBC	1000 O.C.	Y	Y	N	Not located in play area.
To	<i>Thuja Occidentalis 'Emerald'</i>	Eastern White Cedar	220	200cm	WB	600 O.C.	Y	N	Y	
Perennials, Grasses, Vines										
ss	<i>Schizachyrium Scaparium</i>	Little Bluestem	64		1 gal.	300 O.C.	Y	Y	Y	
rf	<i>Rudbeckia fulgida 'goldsturm'</i>	Black-Eyed Susan	278		1 gal.	300 O.C.	N	Y	N	Not located in play area.
hh	<i>Hedera helix 'Baltica'</i>	Baltic English Ivy	548		1 gal.	300 O.C.	N	Y	N	Not located in play area.
pv	<i>Panicum virgatum</i>	Heavy Metal Switch Grass	23		2 gal.	800 O.C.	Y	Y	Y	



Development application guidelines ■ Canopy cover plan and canopy calculation chart

CANOPY CALCULATION CHART TEMPLATE

Submit a separate chart for on-site condition and for streetscape (municipal right-of-way)
[4] References direction for completing canopy coverage plan and chart

FILE NUMBER SP:1431.004/02
FILE NAME 3020 PINE GLEN ROAD (2418 KHALSA GATE)

CANOPY COVER TARGET [1] 20 % (based on land use)

Tree #	Species	Stature (S.M.L) [3]	Soil Volume per Tree (m ³) [2]	Canopy Area (m ²) [3]	Canopy Area Sub-total (m ²)
Proposed Canopy On Site					
T1-T4	Crataegus crus-galli 'crusader'	M	18.42	298	
T5-T8	Acer x freemanii	M	17.18	284	
T9-T10	Tilia cordata	M	17.18	142	
T11	Quercus marcocarpa	M	17.18	71	
T12-14	Acer x freemanii	M	17.18	213	
T15	Quercus robur	M	17.18	71	
Subtotal of proposed canopy					1079
Existing Canopy On Site [4]					
_____					_____
Subtotal of existing canopy					_____
multiplied by bonus factor of 1.5					_____
Existing Canopy Overhanging Site [4]					
_____					_____
Subtotal of existing overhanging canopy					_____
Total # of Trees					Total Canopy Area (m²)
15					1079
Canopy Summary					
Total Site Area					5108.74 m ²
Site Canopy Cover					21.11% %
Canopy Cover Target by Land Use [1]					20 %
Parking Area Summary [5]					
Total Parking Spaces Proposed					0
Total # of Trees in or within 5m of Parking Area					0

3 (v.JL2016)

NOTES:

- ALL DRAWINGS AND SPECIFICATIONS ARE THE PROPERTY OF FORREC LTD.
- THE CONTRACTOR SHALL VERIFY ALL DIMENSIONS AND INFORMATION ON SITE AND REPORT ANY DISCREPANCIES TO THE CONSULTANT BEFORE PROCEEDING.
- BASE INFORMATION BASED UPON TOPOGRAPHIC SURVEY DRAWING PROVIDED BY THE CLIENT AND FIELD DATA COLLECTED BY THE LANDSCAPE ARCHITECT ON SITE.
- CONTRACTOR TO VERIFY LEGAL PROPERTY LINES AND UTILITIES IN FIELD PRIOR TO STARTING CONSTRUCTION.
- CONTRACTOR TO LOCATE AND PROTECT ALL ABOVE AND BELOW GRADE UTILITIES PRIOR TO THE START OF CONSTRUCTION.
- CONTRACTOR TO ACCURATELY SURVEY AND LAYOUT THE PROPOSED WORK FOR CONSTRUCTION. CONTRACTOR TO VERIFY GRADES, LINES, LEVELS, DIMENSIONS AND INTERIM CONDITIONS, AND REPORT ANY ERRORS, OMISSIONS, OR INCONSISTENCIES TO THE CONSULTANT BEFORE PROCEEDING WITH THE WORK.

NO.	DATE	DESCRIPTION
01	2021-12-02	Progress SPA Set
02	2021-12-02	Issued for Coordination
03	2021-12-03	Draft - Issued for Review
04	2021-12-06	Issued for SPA
05	2022-05-27	Re-Issued for SPA
06	2022-12-02	Re-Issued for SPA

CLIENT _____

NORTH ARROW

STAMP

NOTES:

- STREET TREES ON ROADS, OTHER THAN LOCAL ROADS (i.e. PINE GLEN ROAD), CANNOT BE INCLUDED IN THE CANOPY COVERAGE CALCULATION FOR THE SITE (AS PER CITY OF OAKVILLE CANOPY COVER PLAN GUIDANCE)

PROJECT
3020 PINE GLEN ROAD (2418 KHALSA GATE)
2418 KHALSA GATE, OAKVILLE

DRAWING TITLE
CANOPY COVER PLAN

DATE 2021-12-06	SCALE 1:250
DRAWN BY SA	CHECKED BY ST

PROJECT NO.
21-150

DRAWING NO.
L103

NOTES:

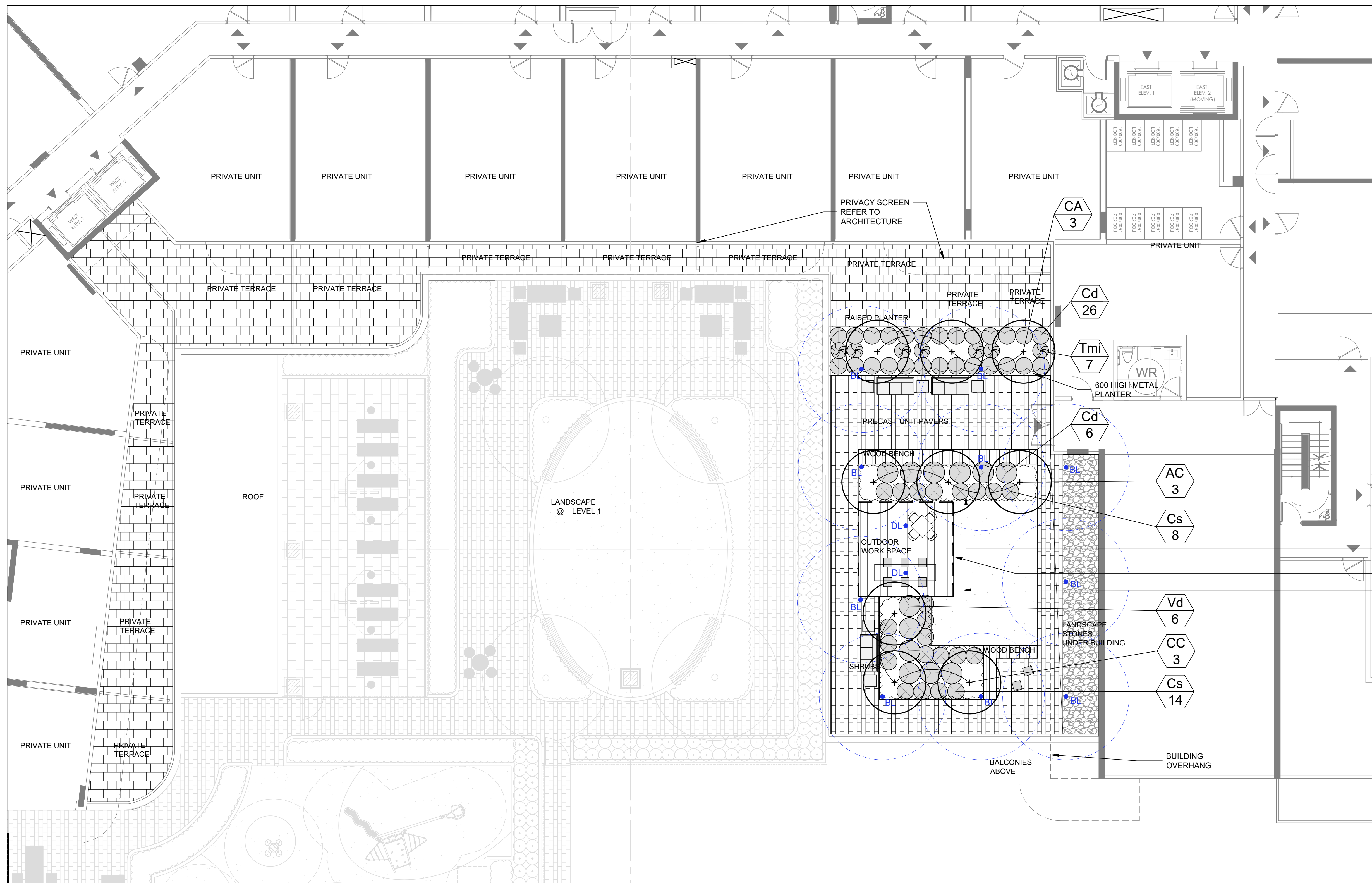
- ALL DRAWINGS AND SPECIFICATIONS ARE THE PROPERTY OF FORREC Ltd.
- THE CONTRACTOR SHALL VERIFY ALL DIMENSIONS AND INFORMATION ON SITE AND REPORT ANY DISCREPANCIES TO THE CONSULTANT BEFORE PROCEEDING.
- BASE INFORMATION BASED UPON TOPOGRAPHIC SURVEY DRAWING PROVIDED BY THE CLIENT AND FIELD DATA COLLECTED BY THE LANDSCAPE ARCHITECT ON SITE.
- CONTRACTOR TO VERIFY LEGAL PROPERTY LINES AND UTILITIES IN FIELD PRIOR TO STARTING CONSTRUCTION.
- CONTRACTOR TO LOCATE AND PROTECT ALL ABOVE AND BELOW GRADE UTILITIES PRIOR TO THE START OF CONSTRUCTION.
- CONTRACTOR TO ACCURATELY SURVEY AND LAYOUT THE PROPOSED WORK FOR CONSTRUCTION. CONTRACTOR TO VERIFY GRADES, LINES, LEVELS, DIMENSIONS AND INTERIM CONDITIONS, AND REPORT ANY ERRORS, OMISSIONS, OR INCONSISTENCIES TO THE CONSULTANT BEFORE PROCEEDING WITH THE WORK.

NO.	DATE	DESCRIPTION
01	2022-05-27	Re-Issued for SPA
02	2022-10-XX	Re-Issued for SPA

CLIENT

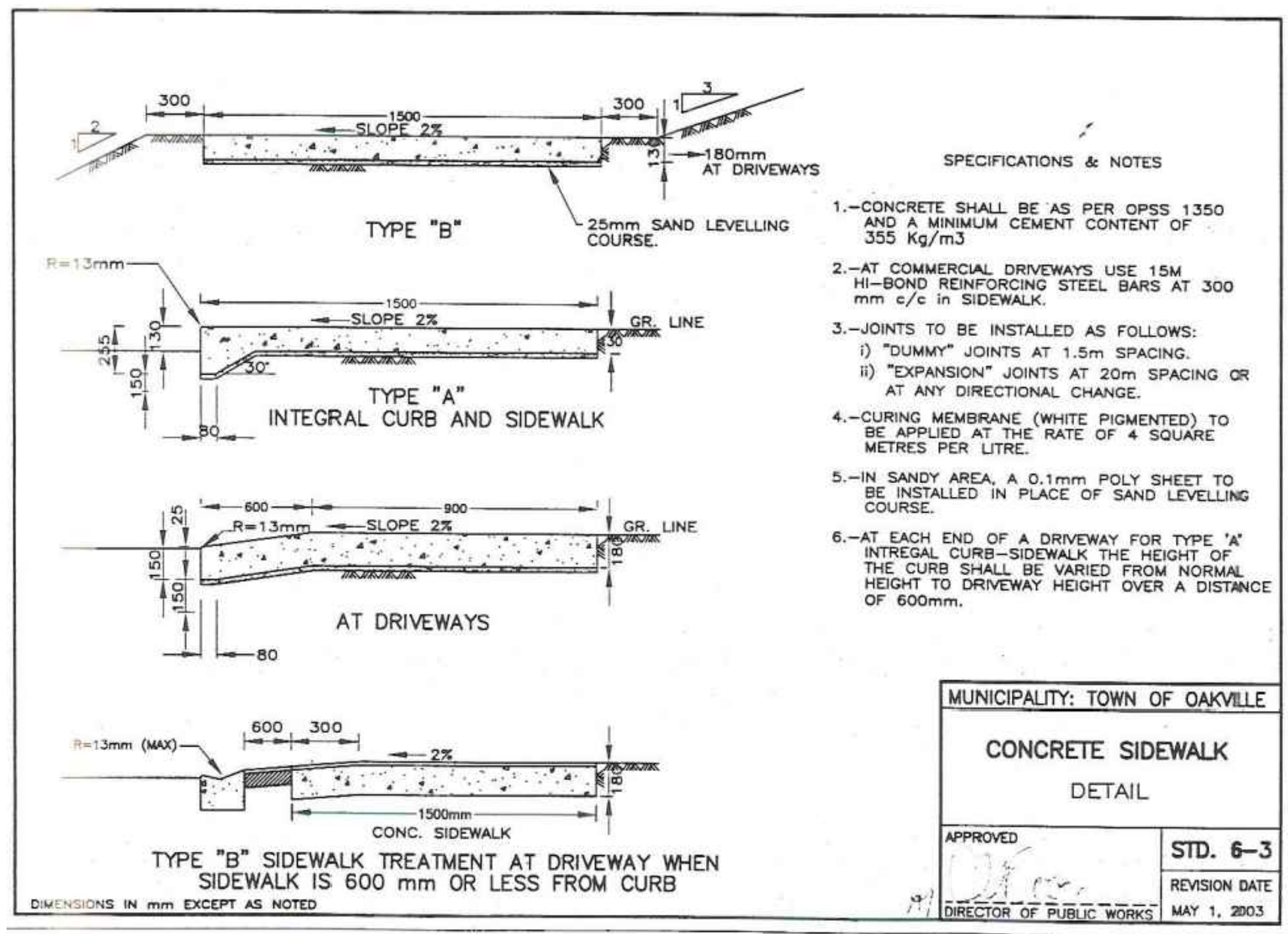
NORTH ARROW	STAMP

PROJECT	3020 PINE GLEN ROAD (2418 KHALSA GATE)	2418 KHALSA GATE, OAKVILLE
DRAWING TITLE	LANDSCAPE LAYOUT PLAN LEVEL 2 AMENITY	
DATE	2021-12-06	SCALE 1:100
DRAWN BY	AM	CHECKED BY ST
PROJECT NO.	21-150	
DRAWING NO.		

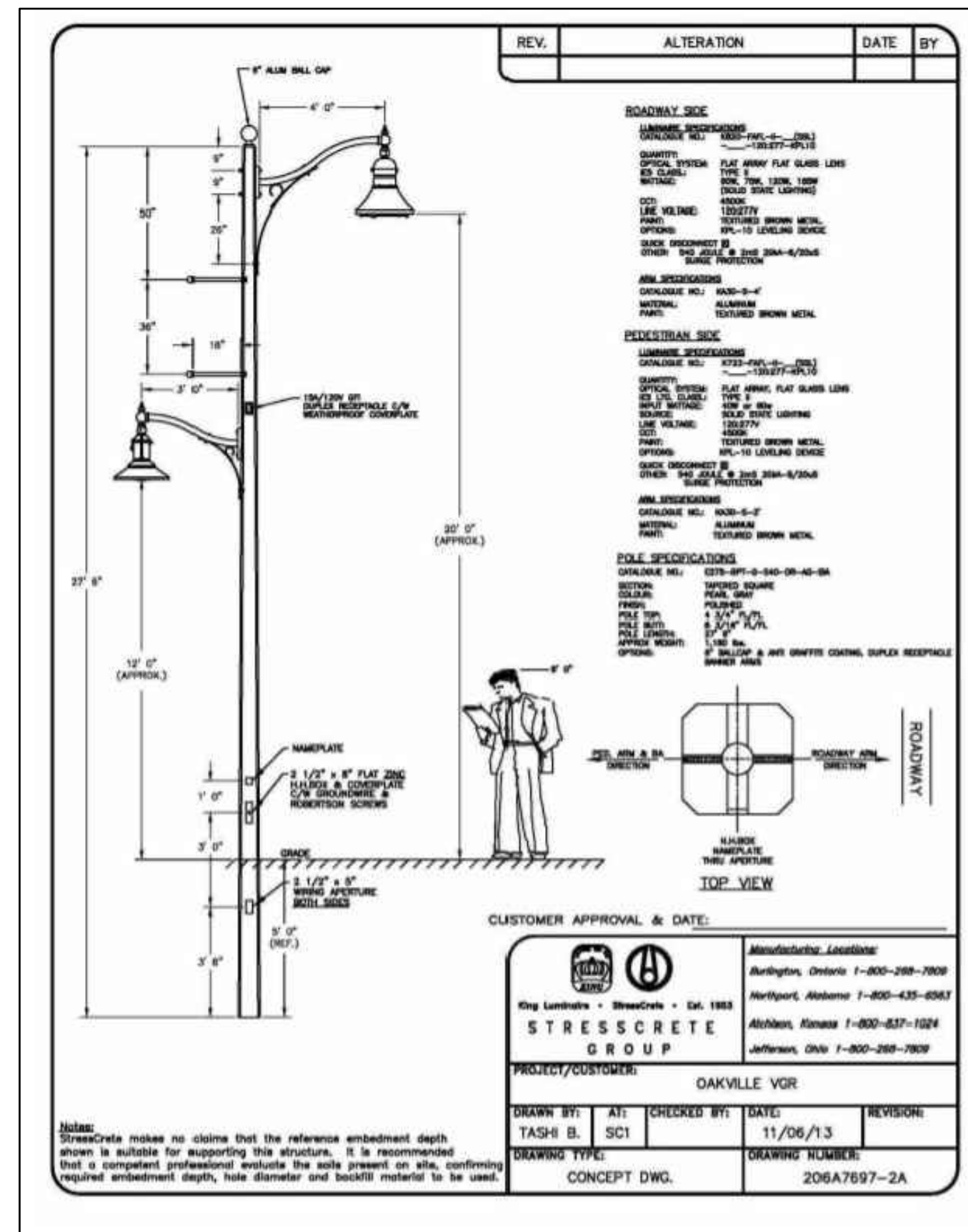


Key	Botanical Name	Common Name	Quantity	Size	Condition	Spacing	Native	Drt Tmt	NOT ON CSA 2614
Trees									
CA	<i>Cornus alternifolia</i>	Pagoda Dogwood	3	Clump 175cm	WB	See Plan	Y	N	Y
CC	<i>Crataegus crus-galli 'crusader'</i>	Crusader Hawthorn	3	45mm cal.	WB	See plan	Y	N	Y
AC	<i>Amelanchier canadensis</i>	Serviceberry	3	45mm cal.	WB	See plan	Y	Y	Y
Shrubs									
Tmi	<i>Taxus x media 'Hilli'</i>	Hill's Yew	7	100cm ht	BBC	1000 O.C.	Y	Y	Y
Cd	<i>Cotoneaster dammeri 'Coral Beauty'</i>	Bearberry cotoneaster	32	50cm	3 gal.	800 O.C.	N	Y	Y
Vd	<i>Viburnum farreri 'Nanum'</i>	Dwarf Fragrant Viburnum	6	50cm	3 gal.	1200 O.C.	Y	N	Y
Cs	<i>Cornus sericea 'Arctic Fire'</i>	Arctic Fire Dogwood	22		2 gal.	750 O.C.	Y	N	Y

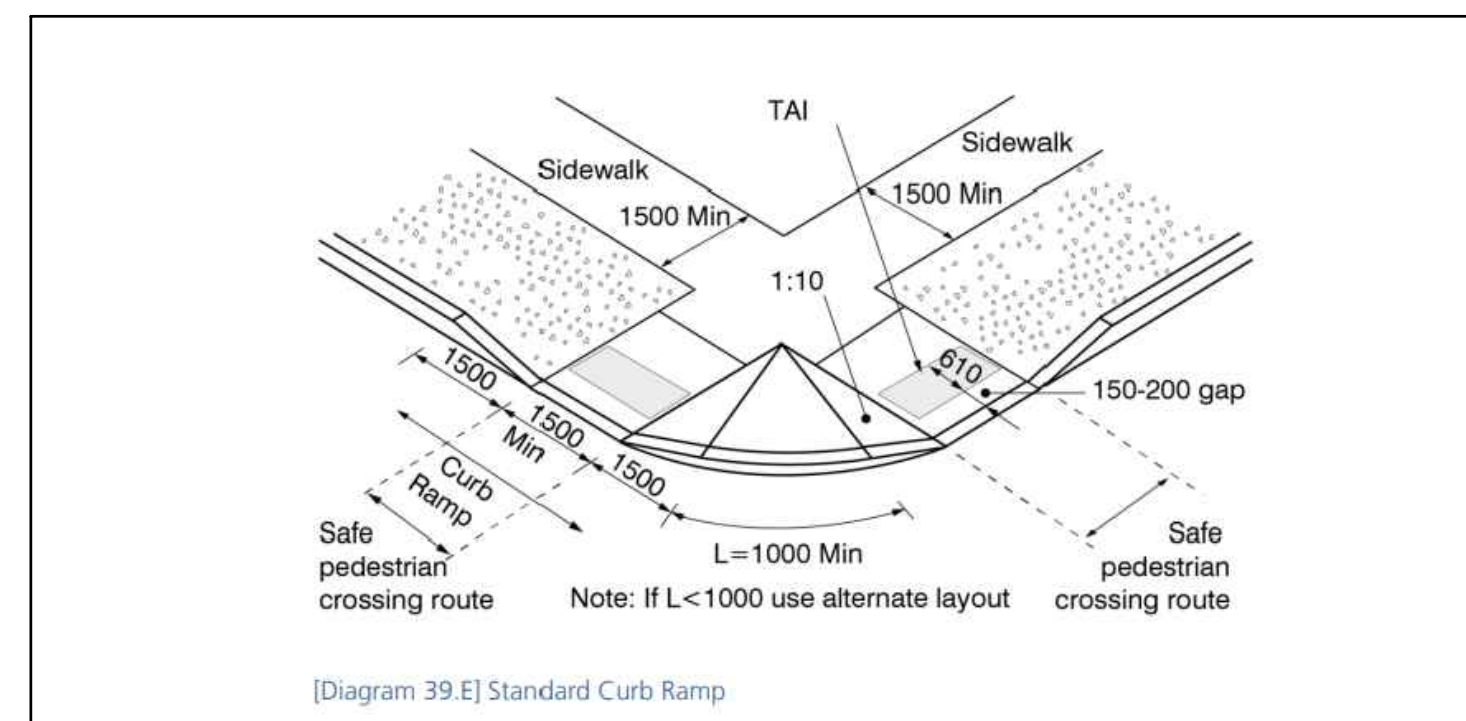
LEGEND			
	ARTIFICIAL TURF		ORNAMENTAL FLOWERING TREE
	PRECAST UNIT PAVING		SHRUBS
	PRECAST UNIT PAVING AT PRIVATE TERRACES		PERGOLA
	DARK SKY COMPLIANT BOLLARD LIGHT		WORK TABLE & CHAIRS
	WOOD BENCH		WORK TABLE & CHAIRS
	COUCH & SIDE TABLE		COUCH & SIDE TABLE



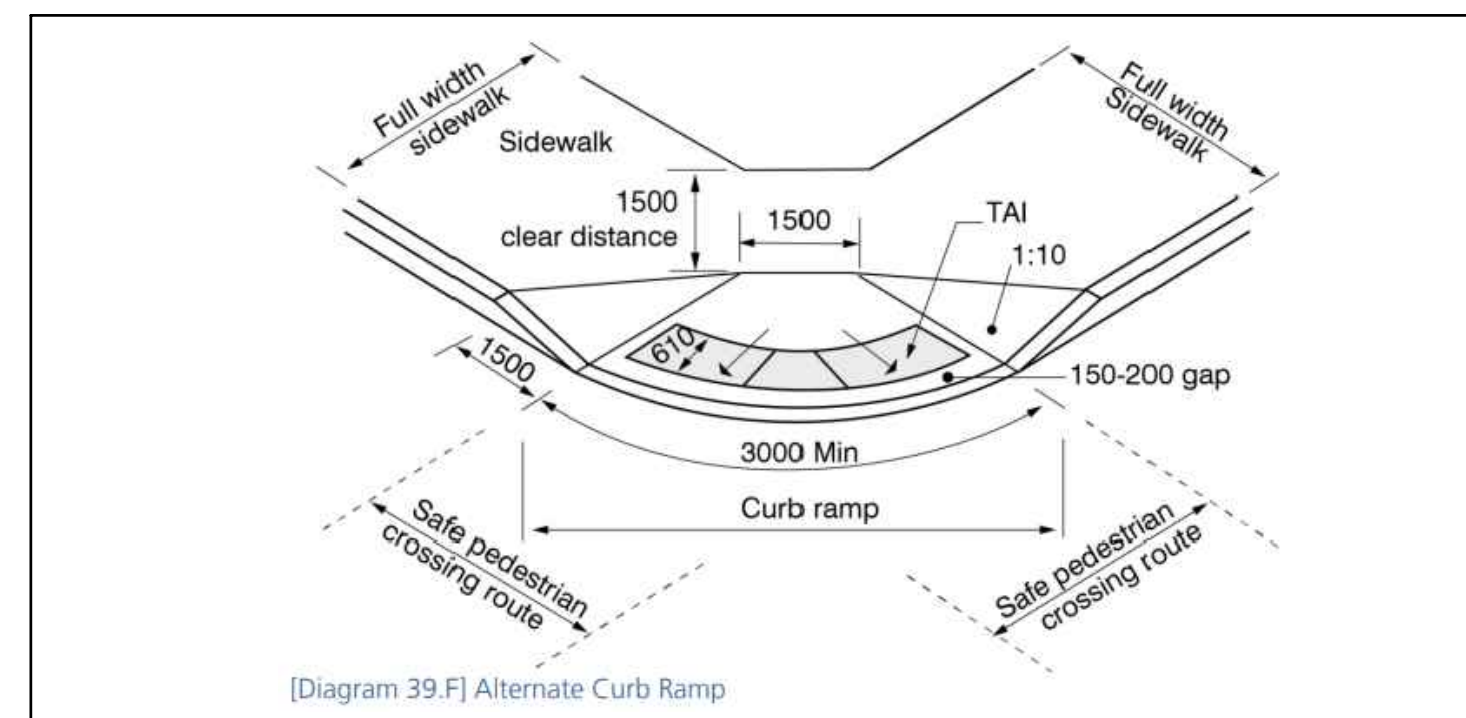
1 SIDEWALK TO TOWN OF OAKVILLE STANDARD
L901 NTS



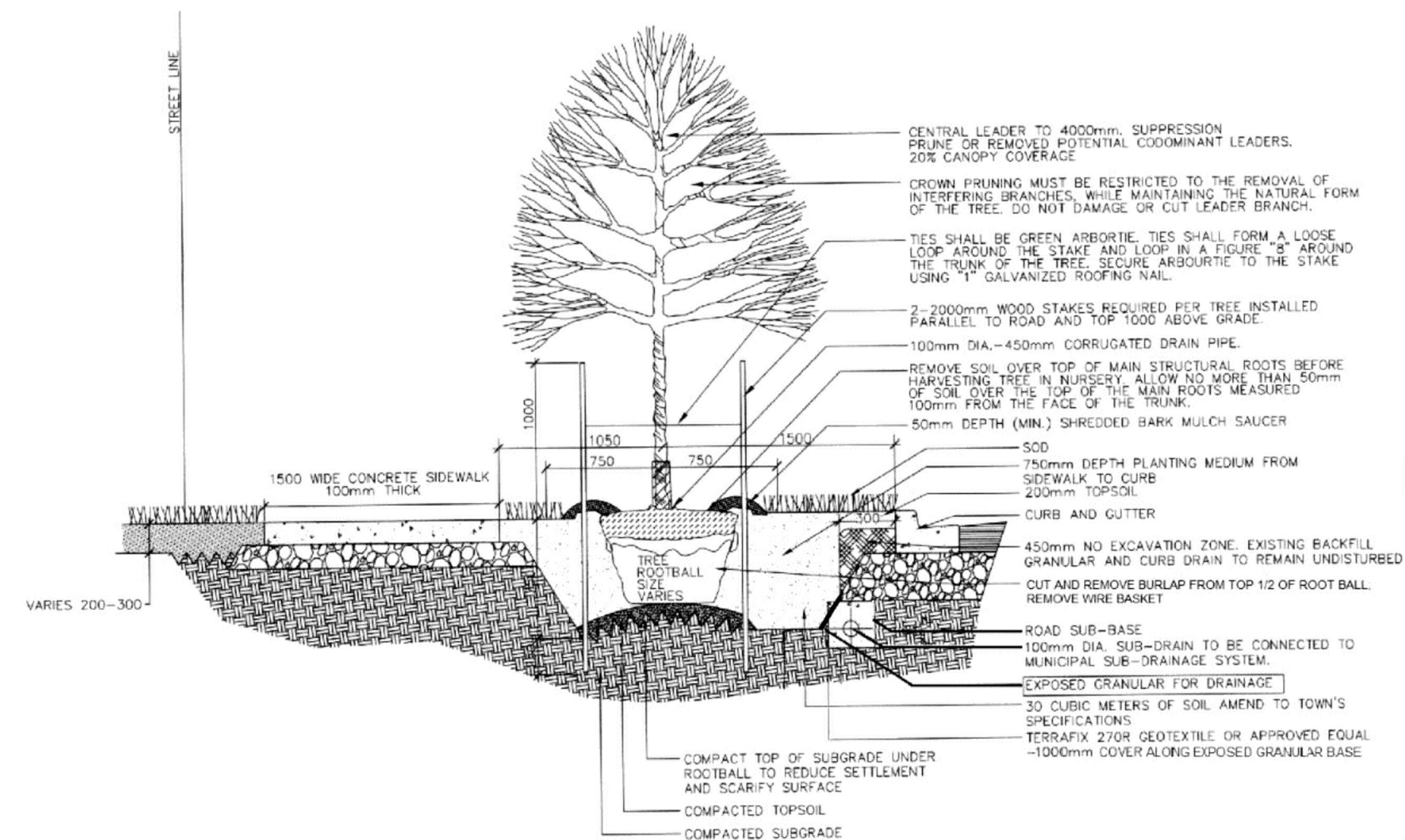
2 TO TOWN OF OAKVILLE STREETSCAPE STANDARD
L901 NTS



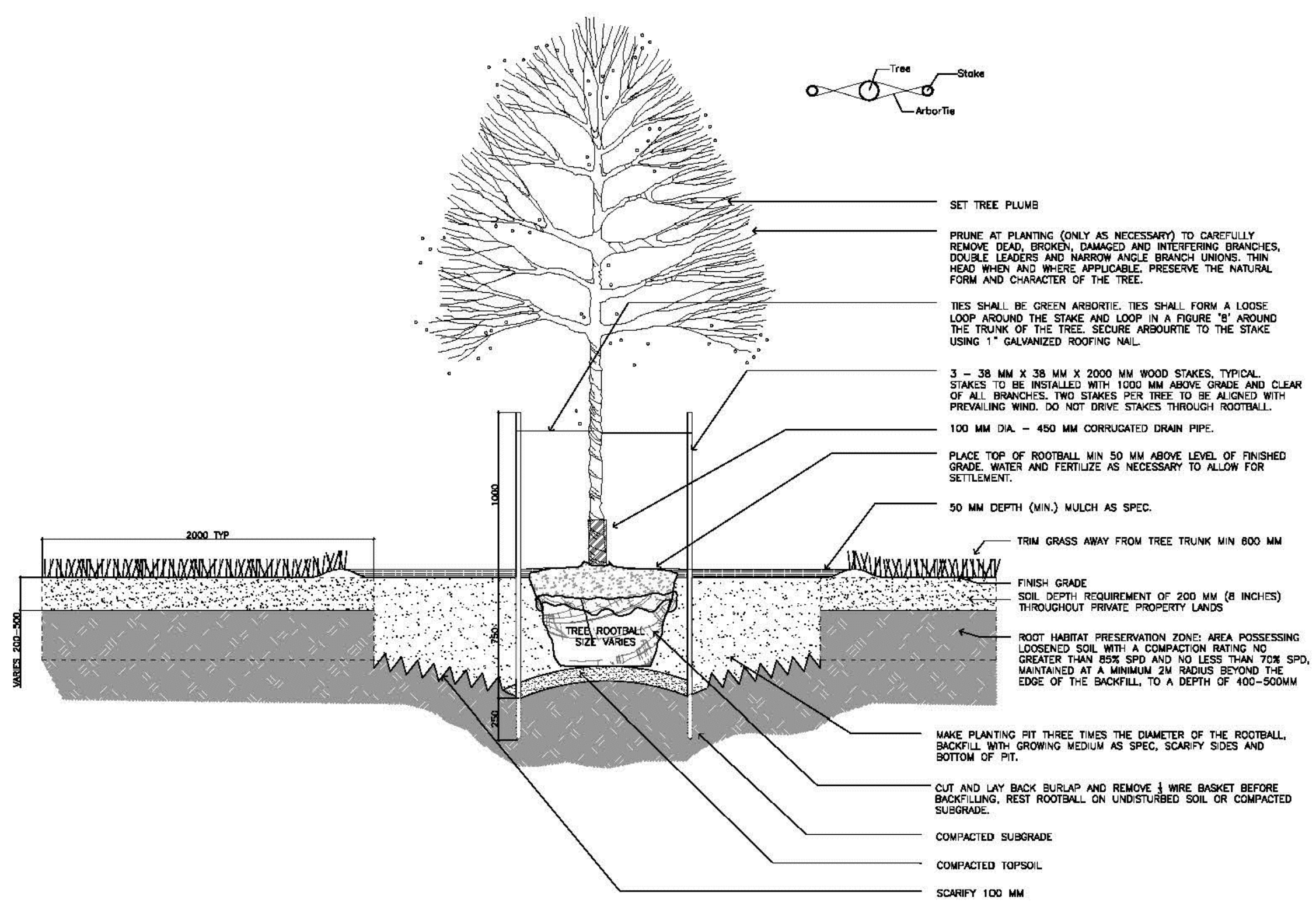
3 STANDARD CURB RAMP TO TOWN STANDARD
L901 NTS



4 ALTERNATE CURB RAMP TO TOWN STANDARD
L901 NTS



5 PUBLIC BOULEVARD TREE PLANTING DETAIL
L901 NTS



6 PRIVATE PROPERTY TREE PLANTING DETAIL
L901 NTS

FOR REC

219 Dufferin Street Suite 100C
Toronto Ontario Canada M6K 3J1
T 416 696 8686 F 416 696 8866
www.forrec.com

- NOTES:**
- ALL DRAWINGS AND SPECIFICATIONS ARE THE PROPERTY OF FORREC LTD.
 - THE CONTRACTOR SHALL VERIFY ALL DIMENSIONS AND INFORMATION ON SITE AND REPORT ANY DISCREPANCIES TO THE CONSULTANT BEFORE PROCEEDING.
 - BASE INFORMATION BASED UPON TOPOGRAPHIC SURVEY DRAWING PROVIDED BY THE CLIENT AND FIELD DATA COLLECTED BY THE LANDSCAPE ARCHITECT ON SITE.
 - CONTRACTOR TO VERIFY LEGAL PROPERTY LINES AND UTILITIES IN FIELD PRIOR TO STARTING CONSTRUCTION.
 - CONTRACTOR TO LOCATE AND PROTECT ALL ABOVE AND BELOW GRADE UTILITIES PRIOR TO THE START OF CONSTRUCTION.
 - CONTRACTOR TO ACCURATELY SURVEY AND LAYOUT THE PROPOSED WORK FOR CONSTRUCTION. CONTRACTOR TO VERIFY GRADES, LINES, LEVELS, DIMENSIONS AND INTERIM CONDITIONS, AND REPORT ANY ERRORS, OMISSIONS, OR INCONSISTENCIES TO THE CONSULTANT BEFORE PROCEEDING WITH THE WORK.

NO.	DATE	DESCRIPTION
01	2021-12-02	Progress SPA Set
02	2021-12-02	Issued for Coordination
03	2021-12-03	Draft - Issued for Review
04	2021-12-06	Issued for SPA
05	2022-05-27	Re-Issued for SPA
06	2022-12-02	Re-Issued for SPA

CLIENT

NORTH ARROW

STAMP

PROJECT
3020 PINE GLEN ROAD (2418 KHALSA GATE)
2418 KHALSA GATE, OAKVILLE

DRAWING TITLE
LANDSCAPE DETAILS

DATE
2021-12-06

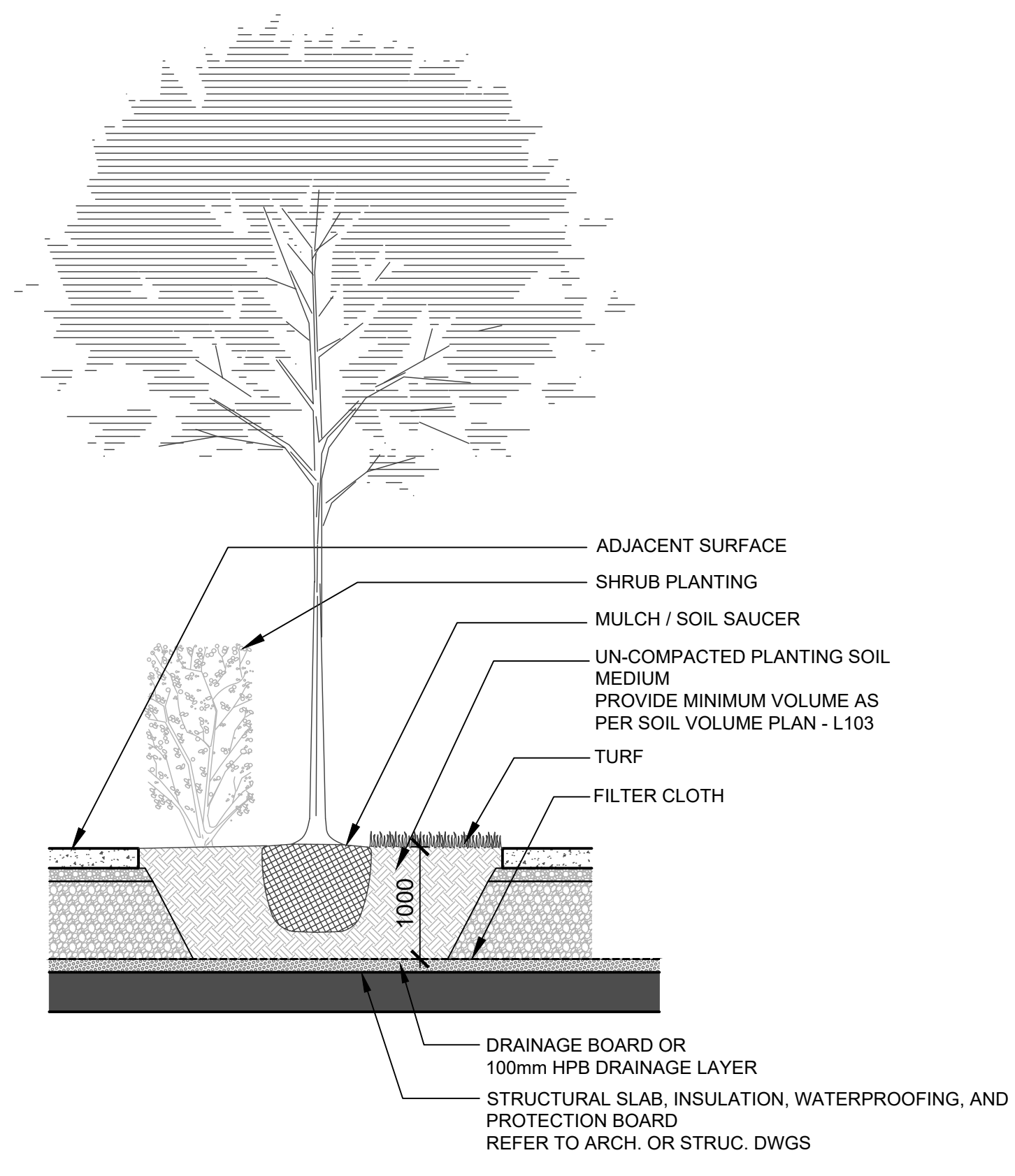
SCALE
AS INDICATED

DRAWN BY
AM

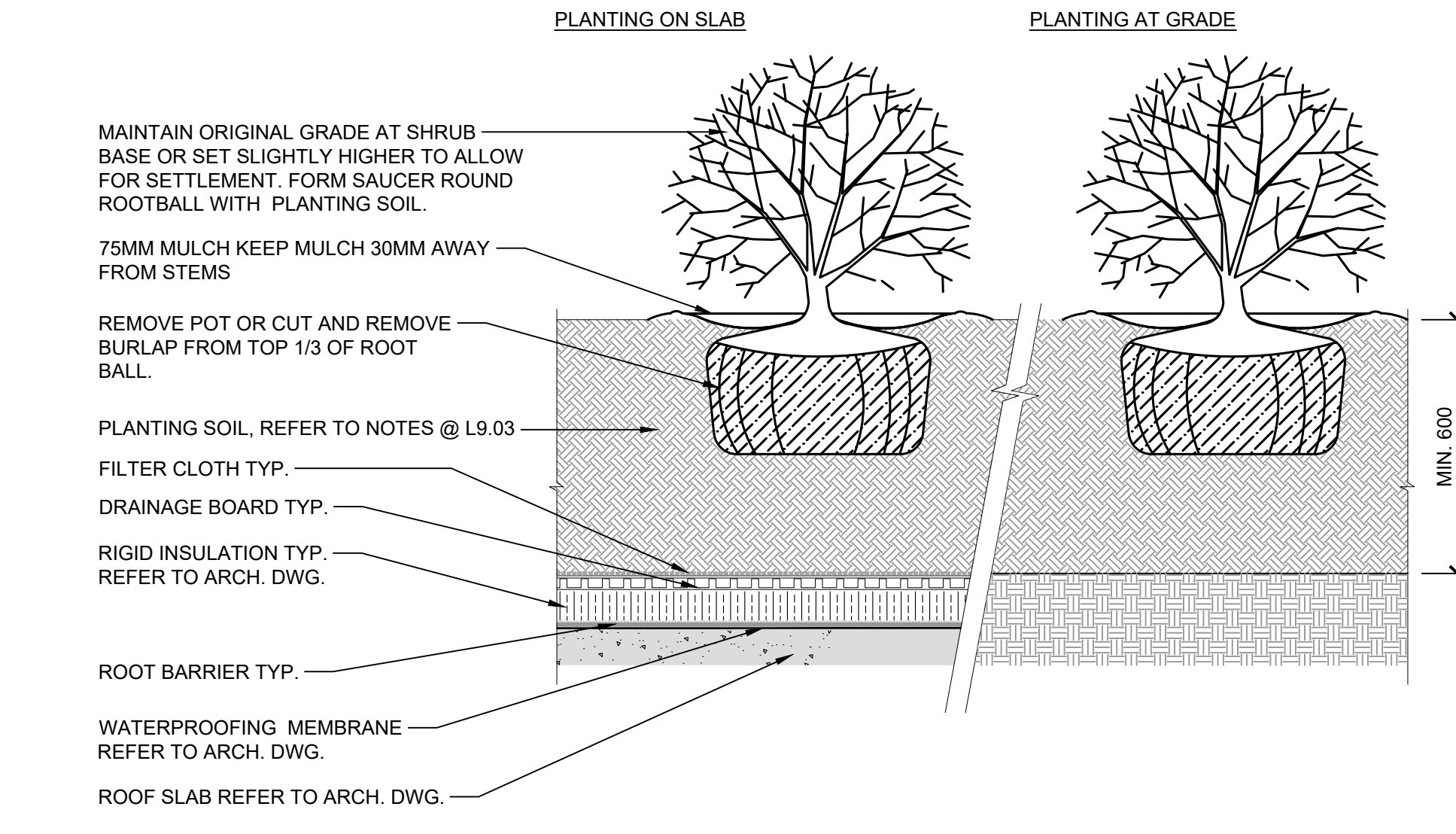
CHECKED BY
ST

PROJECT NO.
21-150

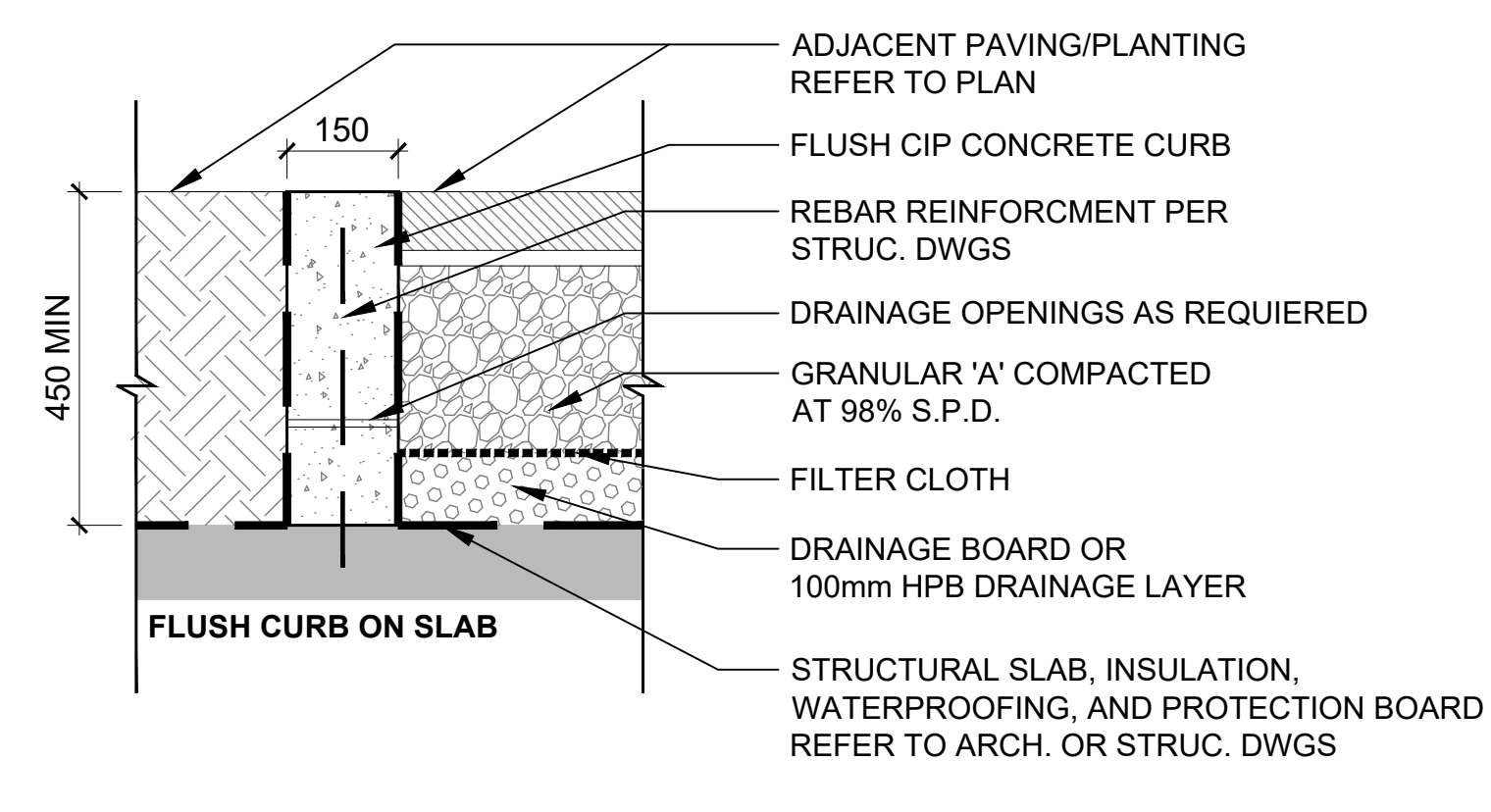
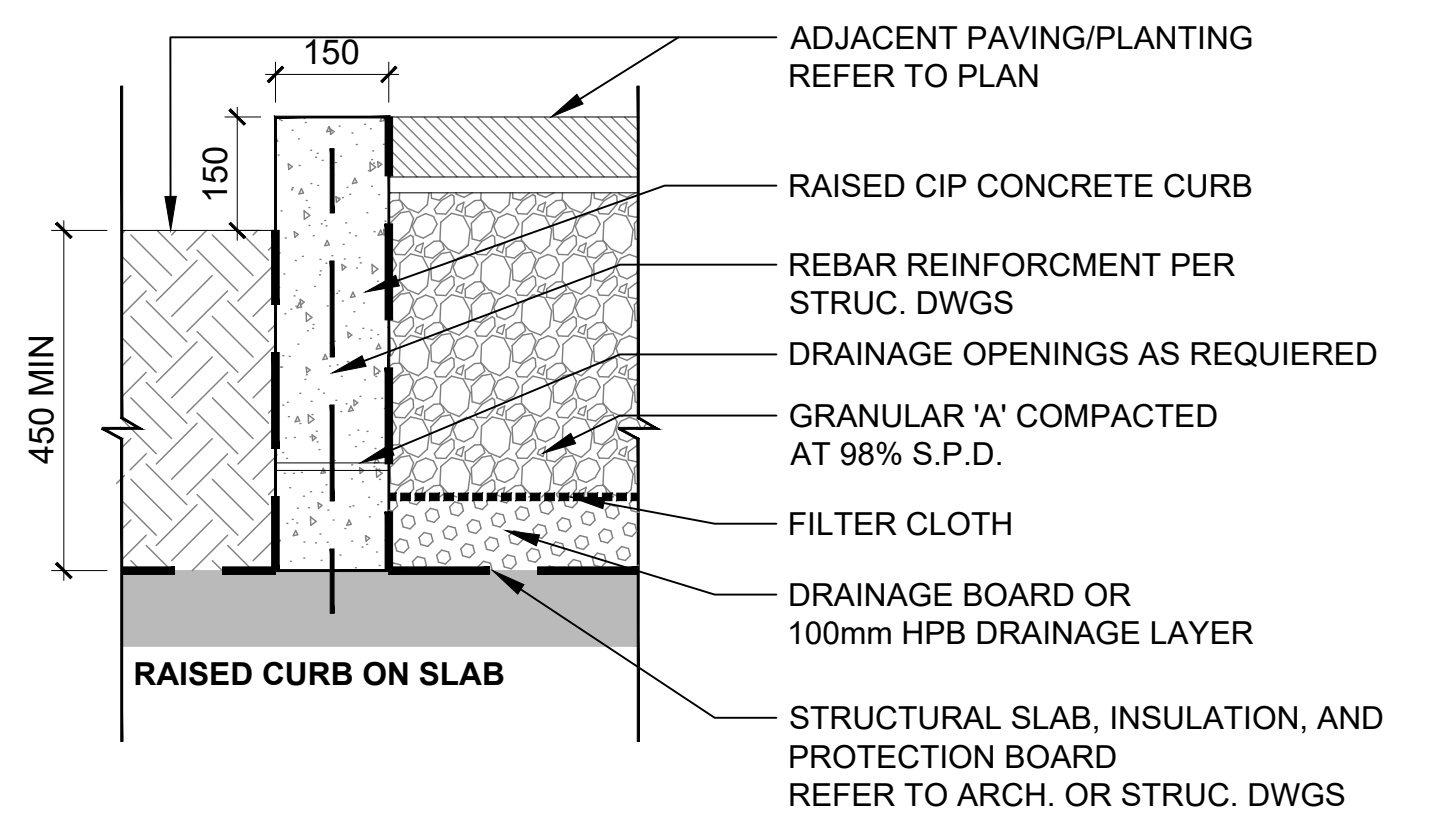
DRAWING NO.
L901



1 DECIDUOUS TREE PLANTING (ON SLAB)
L902 1:25

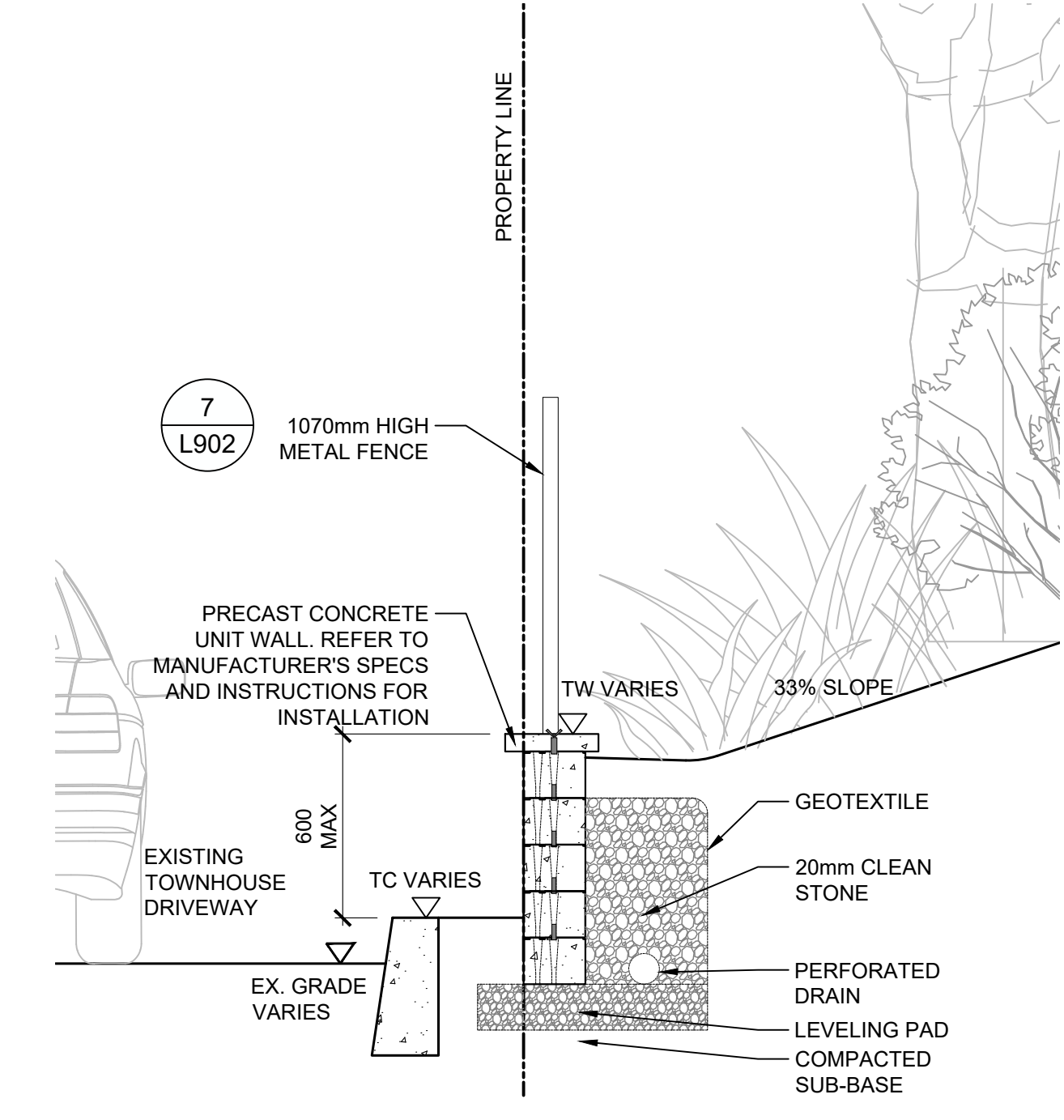


2 SHRUB PLANTING
L902 1:20



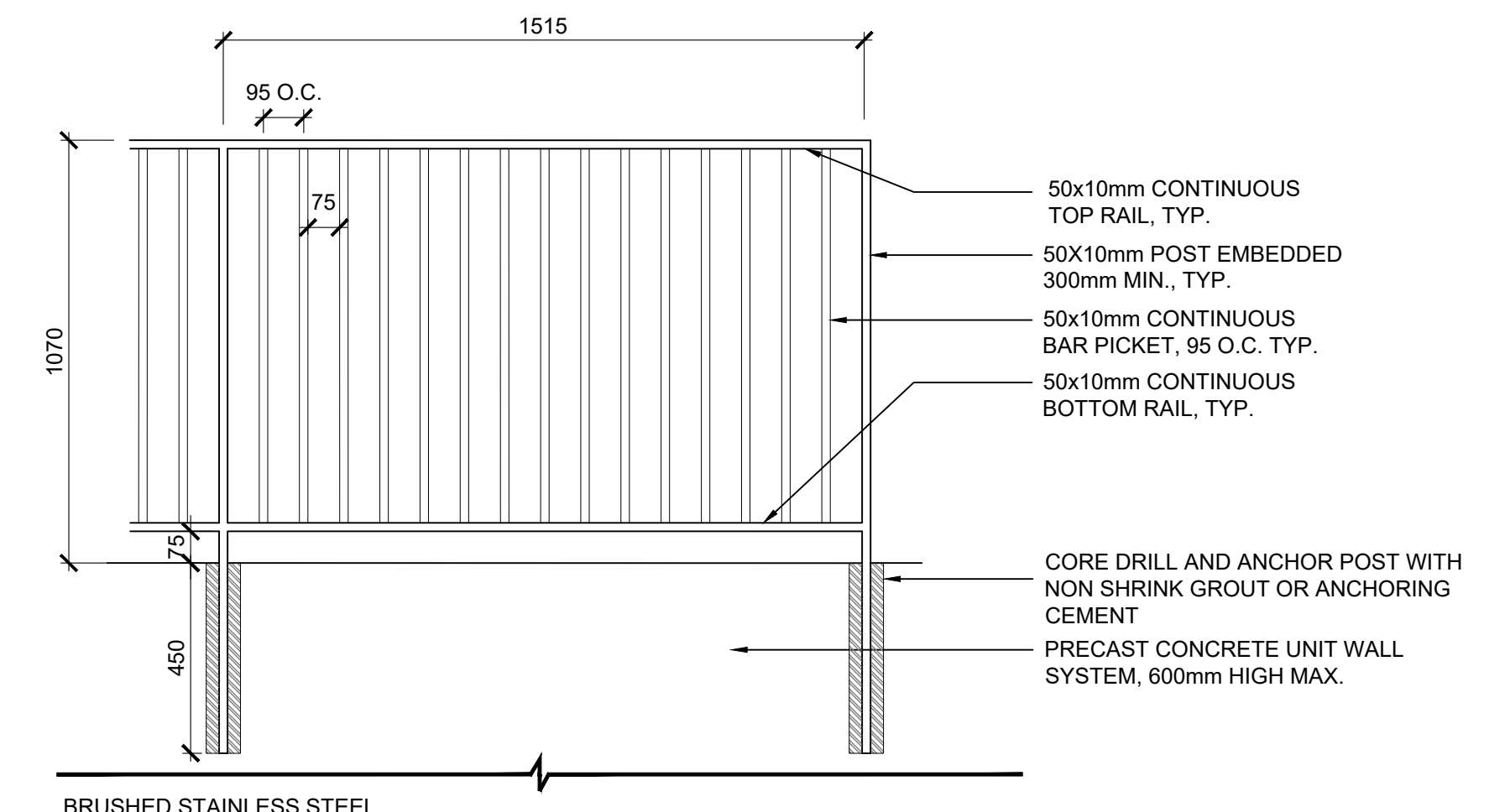
PROVIDE MEDIUM SANDBLAST FINISH TO ALL EXPOSED SURFACES.

5 CONCRETE CURB DETAIL
L902 1:10



RAFFINATO SMOOTH BY TECO-BLOC
COLOUR: SHALE GREY
PROVIDE STRUCTURAL CERTIFIED SHOP DRAWING BY ONTARIO P.ENG

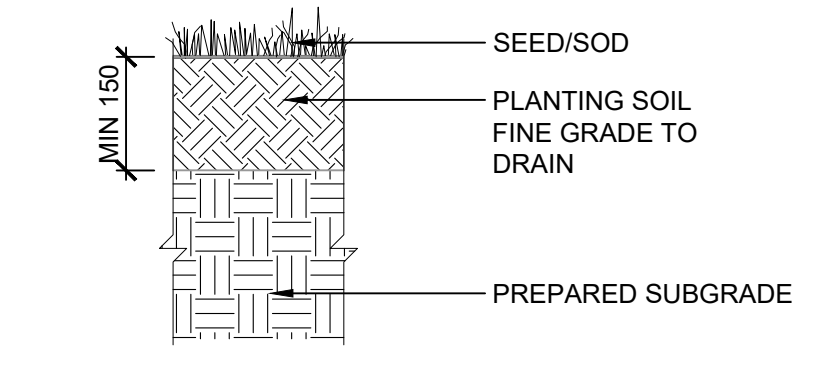
6 PRECAST UNIT WALL SYSTEM
L902 1:20



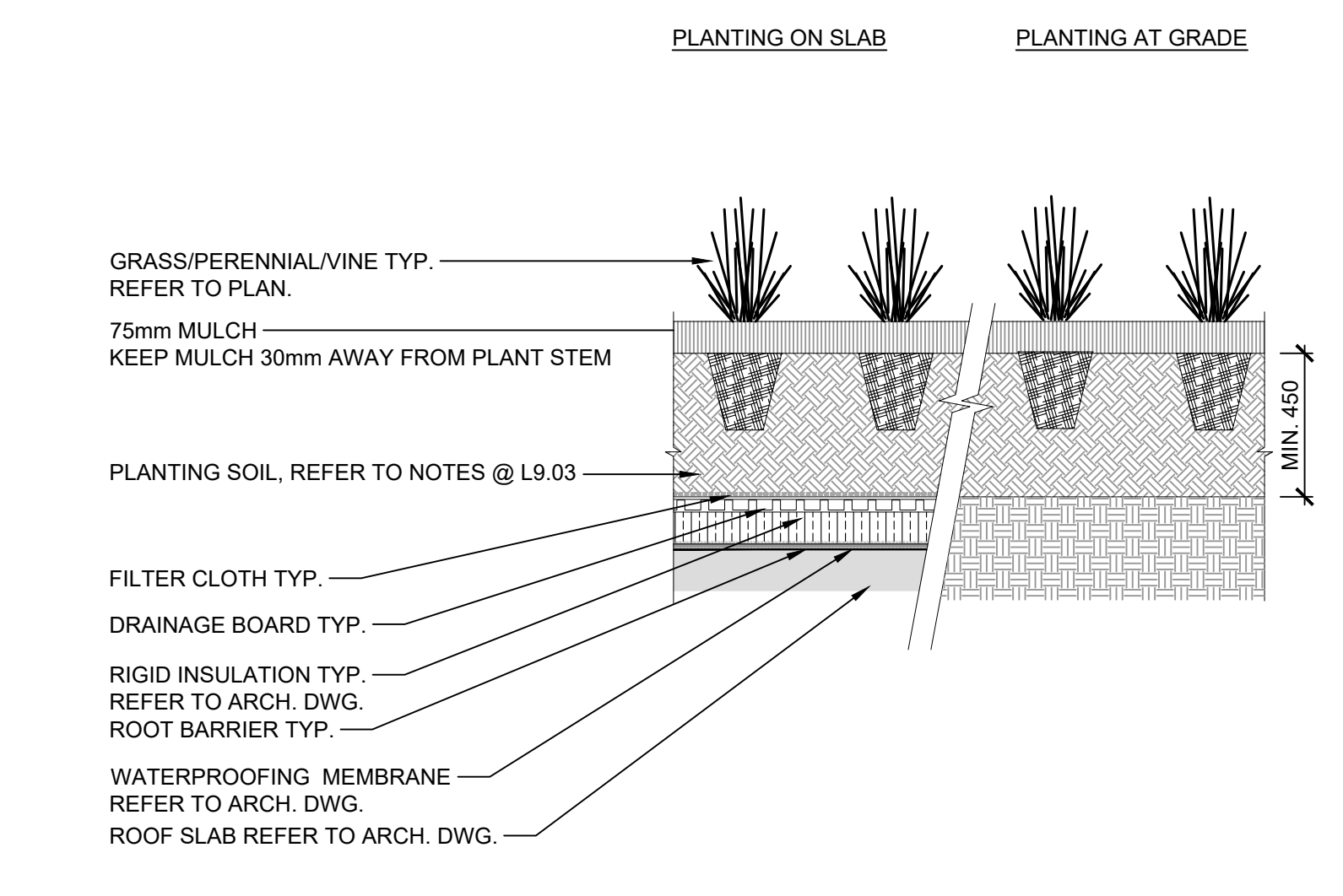
BRUSHED STAINLESS STEEL.
PROVIDE STRUCTURALLY CERTIFIED TO OBC SHOP DRAWING BY ONTARIO P.ENG

7 METAL FENCE RAIL TYP. 1070MM HEIGHT
L902 NTS

3 PERENNIAL/DECORATIVE GRASS PLANTING
L902 1:20



4 SOD PLANTING TYP.
L902 1:10



- NOTES:
- ALL DRAWINGS AND SPECIFICATIONS ARE THE PROPERTY OF FORREC LTD.
 - THE CONTRACTOR SHALL VERIFY ALL DIMENSIONS AND INFORMATION ON SITE AND REPORT ANY DISCREPANCIES TO THE CONSULTANT BEFORE PROCEEDING.
 - BASE INFORMATION BASED UPON TOPOGRAPHIC SURVEY DRAWING PROVIDED BY THE CLIENT AND FIELD DATA COLLECTED BY THE LANDSCAPE ARCHITECT ON SITE.
 - CONTRACTOR TO VERIFY LEGAL PROPERTY LINES AND UTILITIES IN FIELD PRIOR TO STARTING CONSTRUCTION.
 - CONTRACTOR TO LOCATE AND PROTECT ALL ABOVE AND BELOW GRADE UTILITIES PRIOR TO THE START OF CONSTRUCTION.
 - CONTRACTOR TO ACCURATELY SURVEY AND LAYOUT THE PROPOSED WORK FOR CONSTRUCTION. CONTRACTOR TO VERIFY GRADES, LINES, LEVELS, DIMENSIONS AND INTERIM CONDITIONS, AND REPORT ANY ERRORS, OMISSIONS, OR INCONSISTENCIES TO THE CONSULTANT BEFORE PROCEEDING WITH THE WORK.

NO.	DATE	DESCRIPTION
01	2021-12-02	Progress SPA Set
02	2021-12-02	Issued for Coordination
03	2021-12-03	Draft - Issued for Review
04	2021-12-06	Issued for SPA
05	2022-05-27	Re-Issued for SPA
06	2022-12-02	Re-Issued for SPA

CLIENT

NORTH ARROW

STAMP

PROJECT
3020 PINE GLEN ROAD
(2418 KHALSA GATE)

2418 KHALSA GATE, OAKVILLE

DRAWING TITLE
LANDSCAPE DETAILS

DATE
2021-12-06

SCALE
AS INDICATED

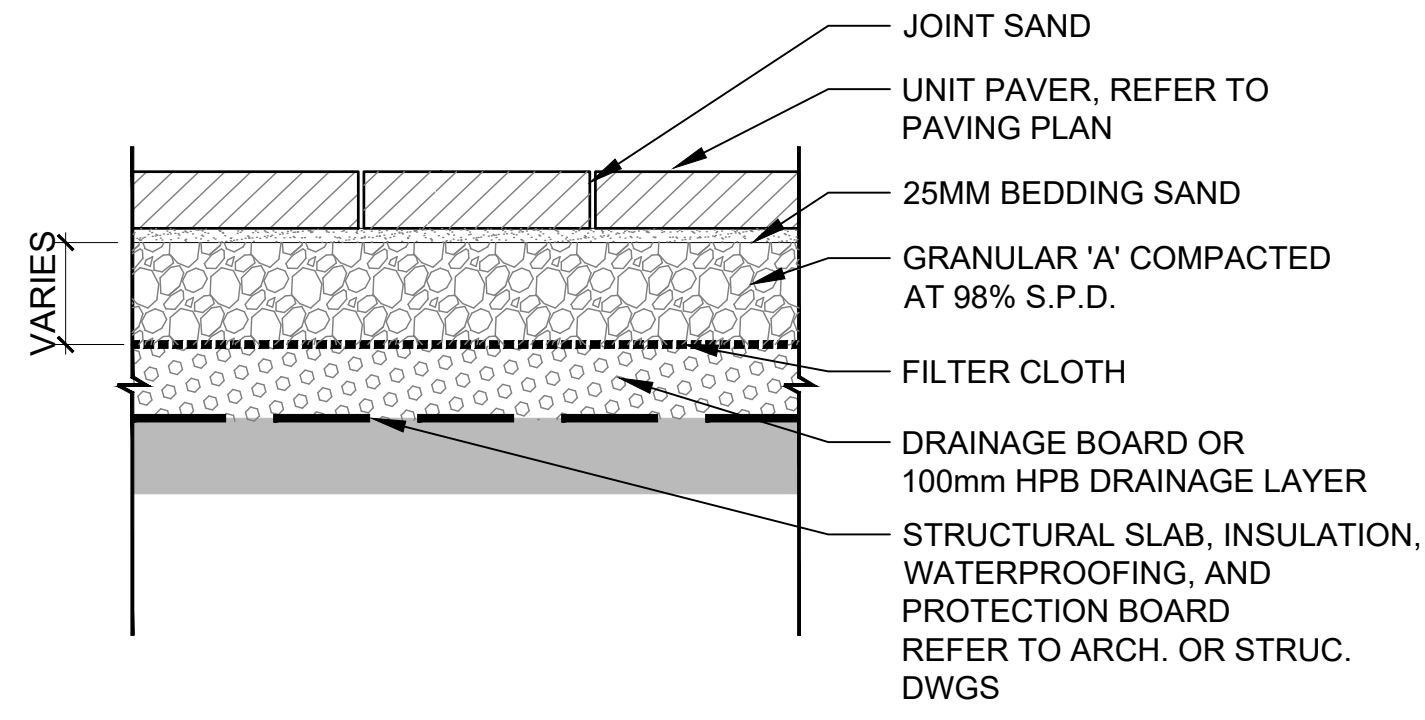
DRAWN BY
AM

CHECKED BY
ST

PROJECT NO.
21-150

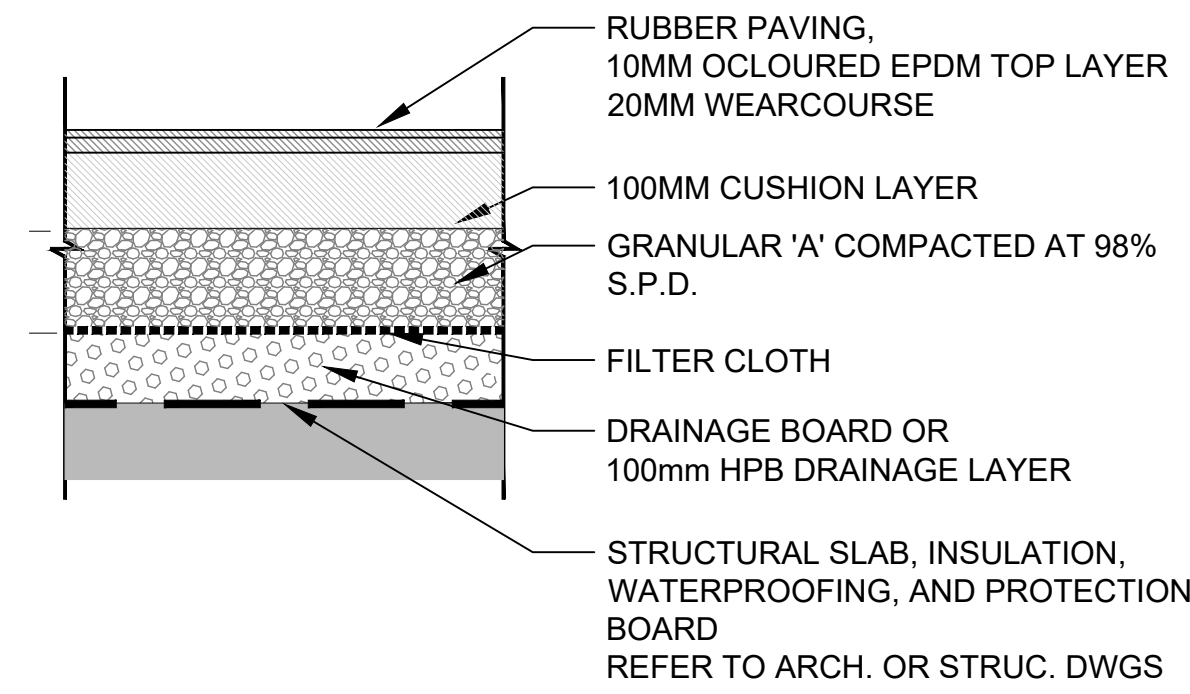
DRAWING NO.
L902

NOTES:
 1. CLAY BRICK PAVER BY WHITACRE-GREER (CONTACT THAMES VALLEY BRICK) - 4X12X2-1/4" COLOUR 50 - HIGH ALBEDO) - INSTALL USING SPACERS, IF NECESSARY TO MANUFACTURER'S SPECIFICATIONS



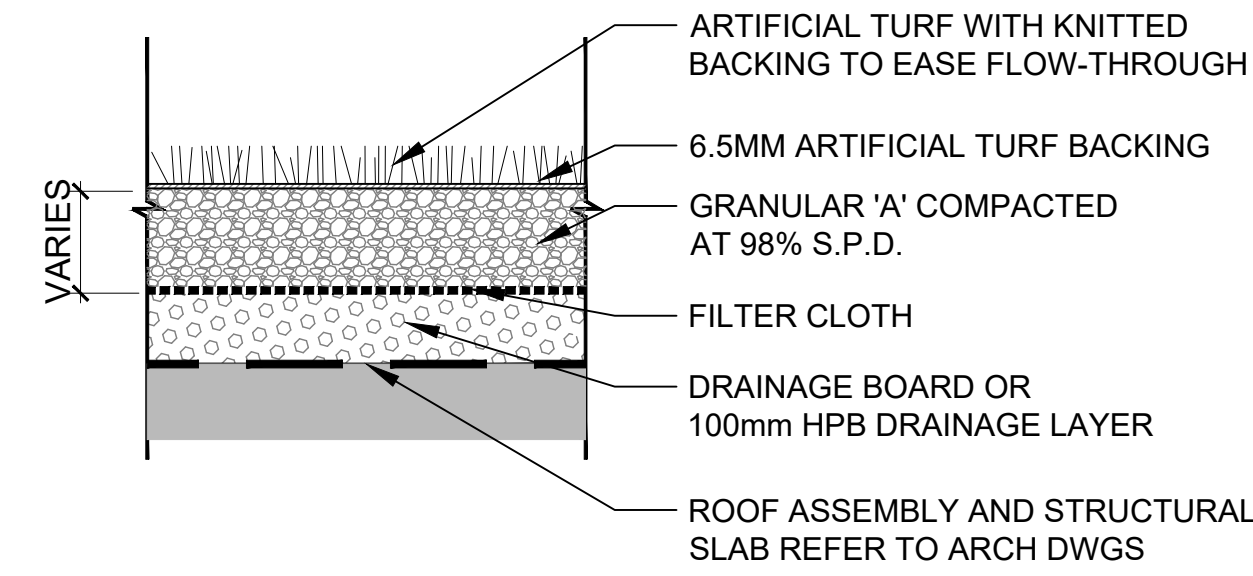
1 PRECAST UNIT PAVING
 L903 1:10

NOTES:
 1. CONTRACTOR TO SUBMIT SHOP DRAWINGS AND COLOUR SAMPLE FOR REVIEW BY CONSULTANT PRIOR TO MANUFACTURE.



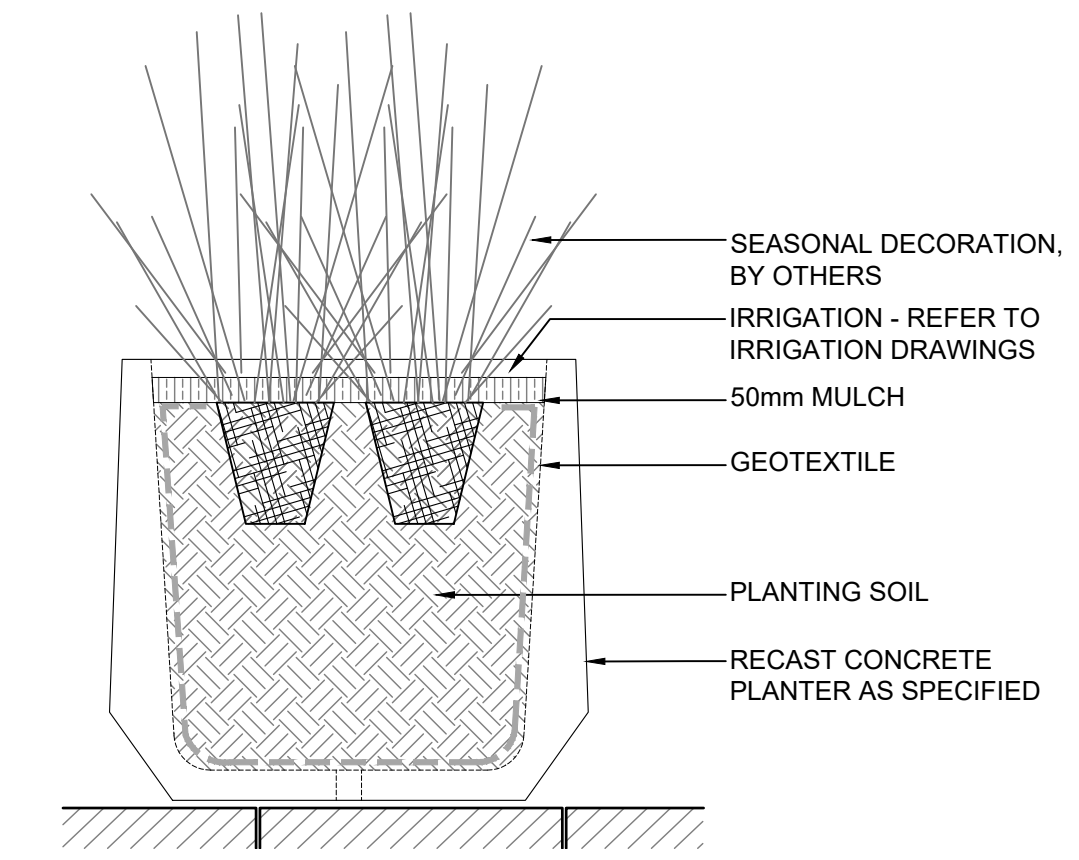
2 CIP PLAY SAFETY SURFACE
 L903 1:10

NOTES:
 1. CONTRACTOR TO SUBMIT SHOP DRAWINGS AND COLOUR SAMPLE FOR REVIEW BY CONSULTANT PRIOR TO MANUFACTURE.



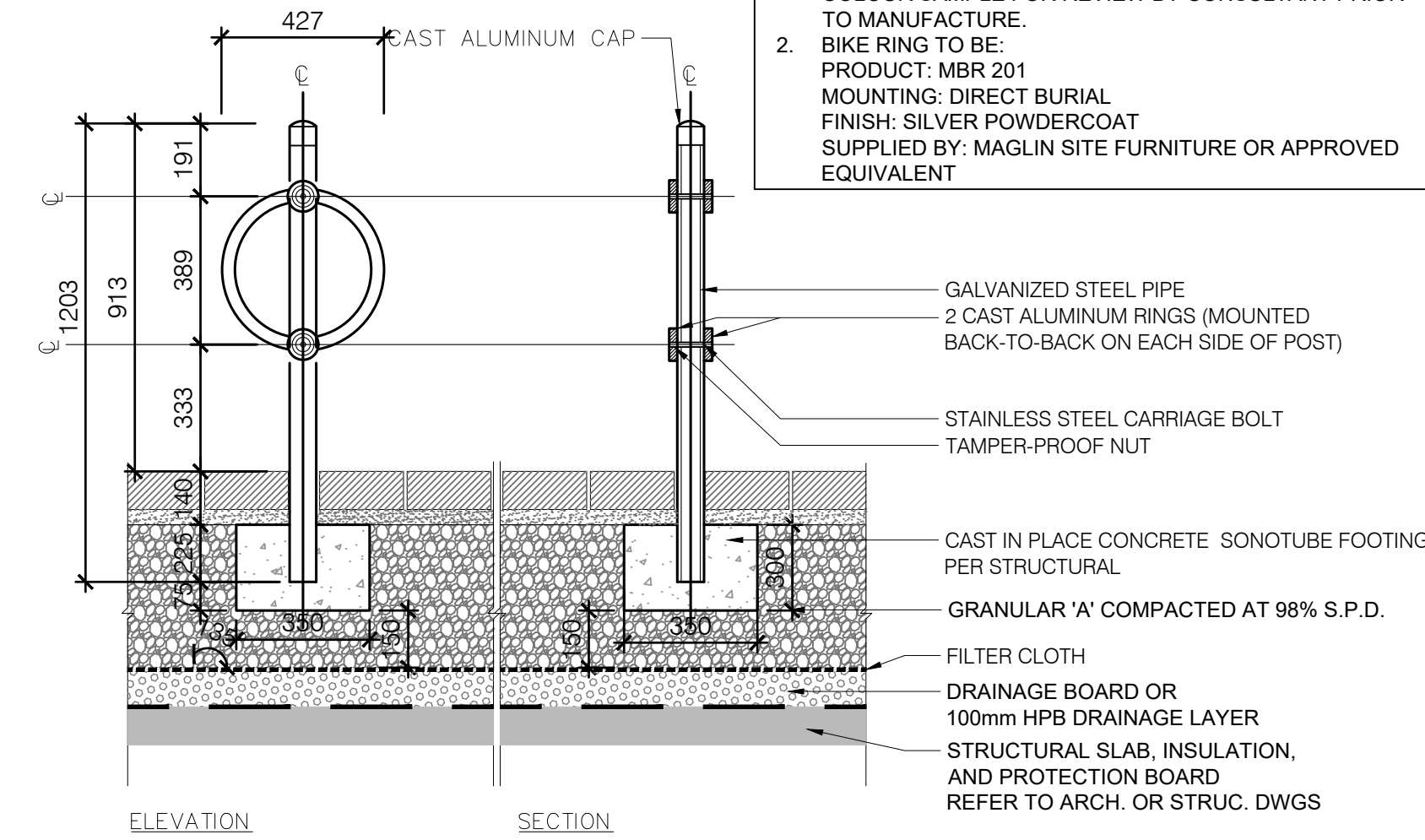
3 ARTIFICIAL TURF
 L903 1:10

NOTES:
 1. CONTRACTOR TO SUBMIT SHOP DRAWINGS AND COLOUR SAMPLE FOR REVIEW BY CONSULTANT PRIOR TO MANUFACTURE.



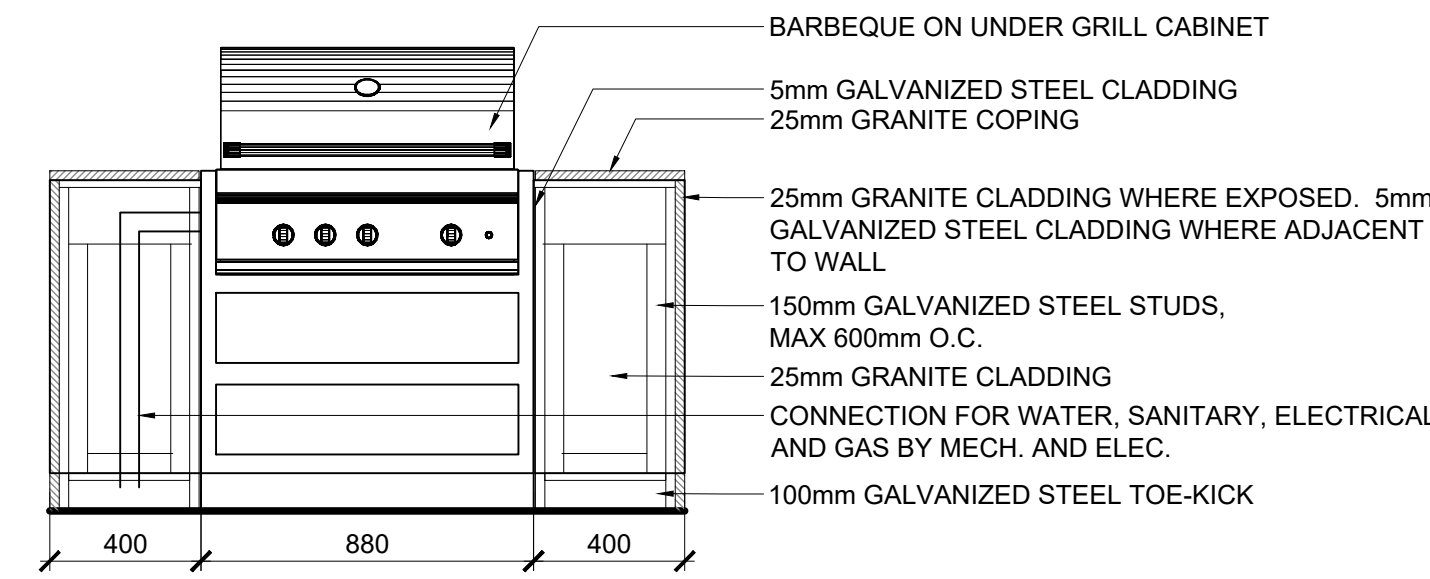
4 PRECAST PLANTER
 L903 NTS

NOTES:
 1. CONTRACTOR TO SUBMIT SHOP DRAWINGS AND COLOUR SAMPLE FOR REVIEW BY CONSULTANT PRIOR TO MANUFACTURE.
 2. BIKE RING TO BE: PRODUCT: MBR 201 MOUNTING: DIRECT BURIAL FINISH: SILVER POWDERCOAT SUPPLIED BY: MAGLIN SITE FURNITURE OR APPROVED EQUIVALENT

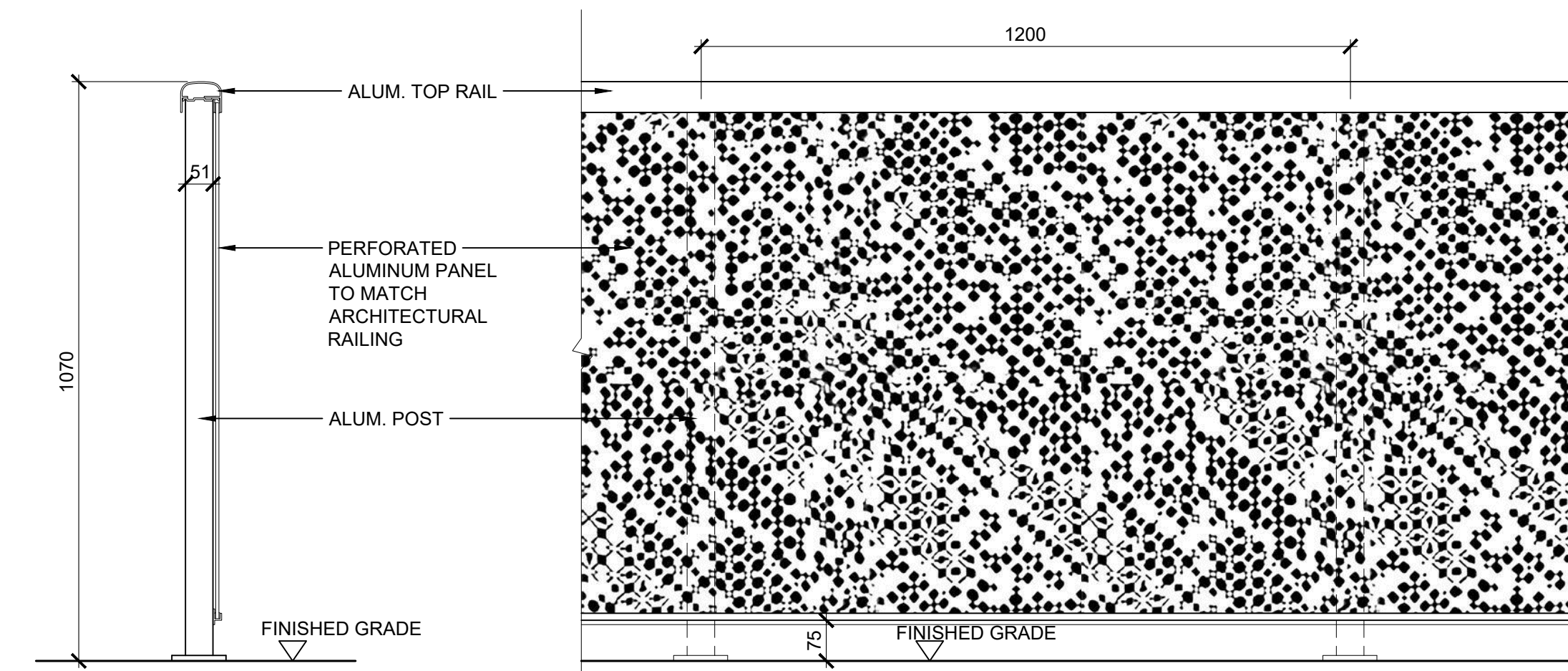
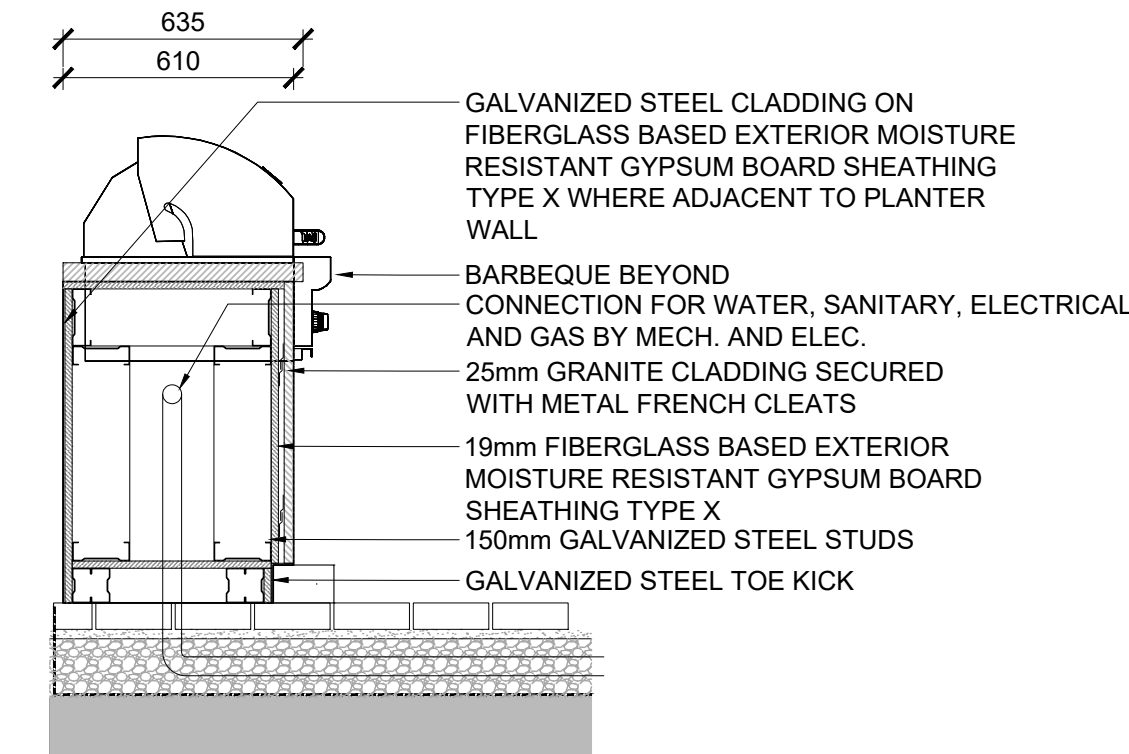


5 BICYCLE PARKING
 L903 NTS

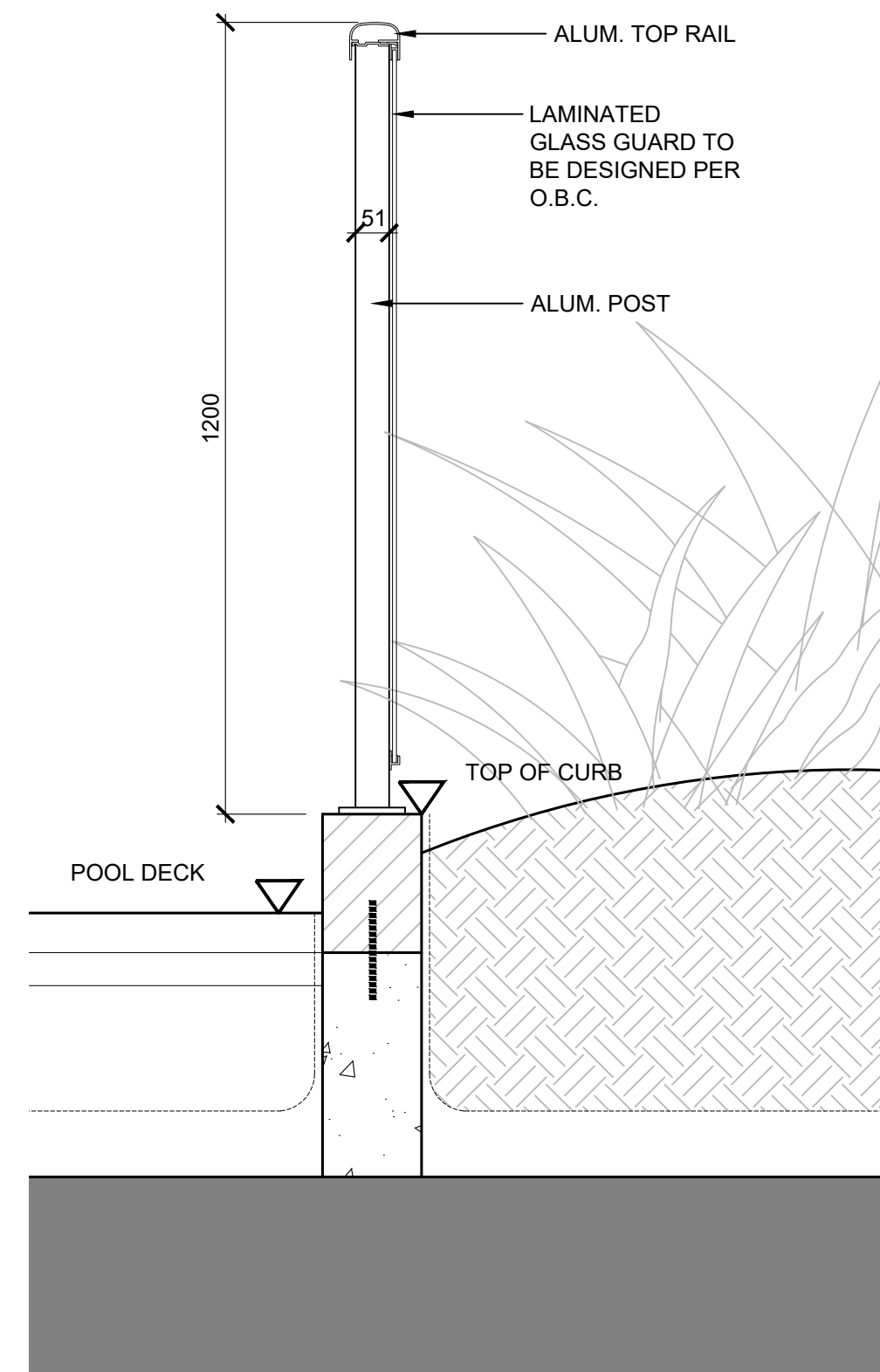
GENERAL NOTES:
 - CONTRACTOR TO PROVIDE SHOP DRAWINGS FOR REVIEW
 - PROVIDE CONNECTION FOR SANITARY, WATER, ELECTRICAL, AND GAS BY MECH. AND ELEC.



6 BARBEQUE ELEVATION TYP
 L903 NTS



7 DECORATIVE METAL RAILING ENCLOSURE
 L903 1:10



8 POOL DECK GLASS RAILING
 L903 1:10

FOR REC
 219 Dufferin Street Suite 100C
 Toronto Ontario Canada M6K 3J1
 T 416 696 8686 F 416 696 8866
 www.forrec.com

- NOTES:
- ALL DRAWINGS AND SPECIFICATIONS ARE THE PROPERTY OF FORREC Ltd.
 - THE CONTRACTOR SHALL VERIFY ALL DIMENSIONS AND INFORMATION ON SITE AND REPORT ANY DISCREPANCIES TO THE CONSULTANT BEFORE PROCEEDING.
 - BASE INFORMATION BASED UPON TOPOGRAPHIC SURVEY DRAWING PROVIDED BY THE CLIENT AND FIELD DATA COLLECTED BY THE LANDSCAPE ARCHITECT ON SITE.
 - CONTRACTOR TO VERIFY LEGAL PROPERTY LINES AND UTILITIES IN FIELD PRIOR TO STARTING CONSTRUCTION.
 - CONTRACTOR TO LOCATE AND PROTECT ALL ABOVE AND BELOW GRADE UTILITIES PRIOR TO THE START OF CONSTRUCTION.
 - CONTRACTOR TO ACCURATELY SURVEY AND LAYOUT THE PROPOSED WORK FOR CONSTRUCTION. CONTRACTOR TO VERIFY GRADES, LINES, LEVELS, DIMENSIONS AND INTERIM CONDITIONS, AND REPORT ANY ERRORS, OMISSIONS, OR INCONSISTENCIES TO THE CONSULTANT BEFORE PROCEEDING WITH THE WORK.

NO.	DATE	DESCRIPTION
01	2021-12-02	Progress SPA Set
02	2021-12-02	Issued for Coordination
03	2021-12-03	Draft - Issued for Review
04	2021-12-06	Issued for SPA
05	2022-05-27	Re-Issued for SPA
06	2022-12-02	Re-Issued for SPA

CLIENT

NORTH ARROW

STAMP

PROJECT
**3020 PINE GLEN ROAD
 (2418 KHALSA GATE)**
 2418 KHALSA GATE, OAKVILLE
 DRAWING TITLE
LANDSCAPE DETAILS

DATE	SCALE
2021-12-06	AS INDICATED
DRAWN BY	CHECKED BY
AM	ST
PROJECT NO.	
21-150	
DRAWING NO.	

L903

NOTES:

- ALL DRAWINGS AND SPECIFICATIONS ARE THE PROPERTY OF FORREC Ltd.
- THE CONTRACTOR SHALL VERIFY ALL DIMENSIONS AND INFORMATION ON SITE AND REPORT ANY DISCREPANCIES TO THE CONSULTANT BEFORE PROCEEDING.
- BASE INFORMATION BASED UPON TOPOGRAPHIC SURVEY DRAWING PROVIDED BY THE CLIENT AND FIELD DATA COLLECTED BY THE LANDSCAPE ARCHITECT ON SITE.
- CONTRACTOR TO VERIFY LEGAL PROPERTY LINES AND UTILITIES IN FIELD PRIOR TO STARTING CONSTRUCTION.
- CONTRACTOR TO LOCATE AND PROTECT ALL ABOVE AND BELOW GRADE UTILITIES PRIOR TO THE START OF CONSTRUCTION.
- CONTRACTOR TO ACCURATELY SURVEY AND LAYOUT THE PROPOSED WORK FOR CONSTRUCTION. CONTRACTOR TO VERIFY GRADES, LINES, LEVELS, DIMENSIONS AND INTERIM CONDITIONS, AND REPORT ANY ERRORS, OMISSIONS, OR INCONSISTENCIES TO THE CONSULTANT BEFORE PROCEEDING WITH THE WORK.

NO.	DATE	DESCRIPTION
01	2021-12-02	Progress SPA Set
02	2021-12-02	Issued for Coordination
03	2021-12-03	Draft - Issued for Review
04	2021-12-06	Issued for SPA
05	2022-05-27	Re-Issued for SPA
06	2022-12-02	Re-issued for SPA

CLIENT

NORTH ARROW

STAMP



PROJECT
**3020 PINE GLEN ROAD
 (2418 KHALSA GATE)**

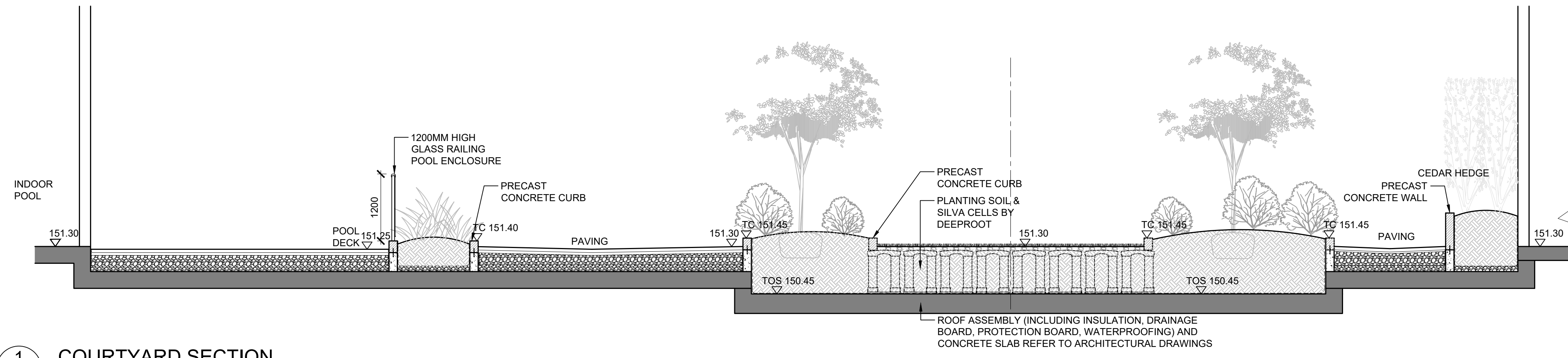
DRAWING TITLE
LANDSCAPE SECTIONS

2418 KHALSA GATE, OAKVILLE
 DRAWING TITLE

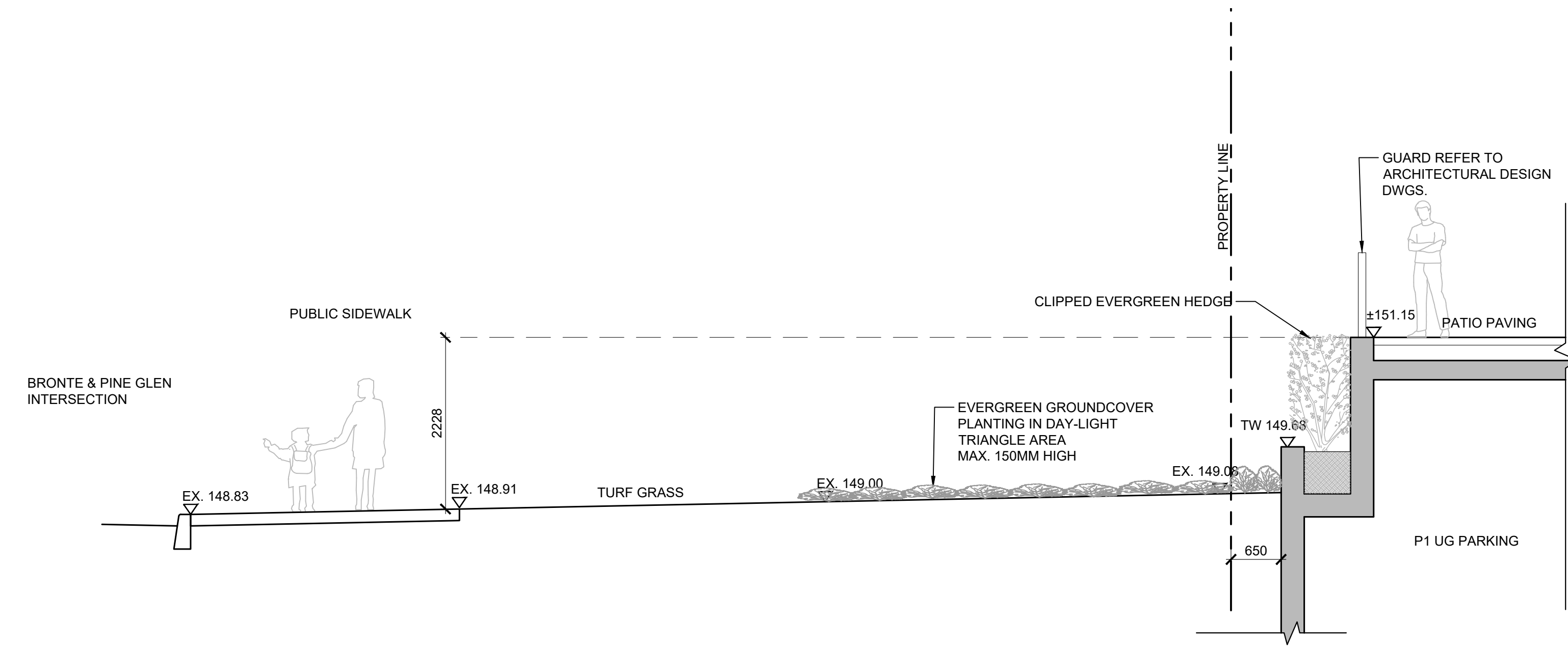
DATE	SCALE
2021-12-06	AS INDICATED
DRAWN BY	CHECKED BY
	ST

PROJECT NO.
 21-150
 DRAWING NO.

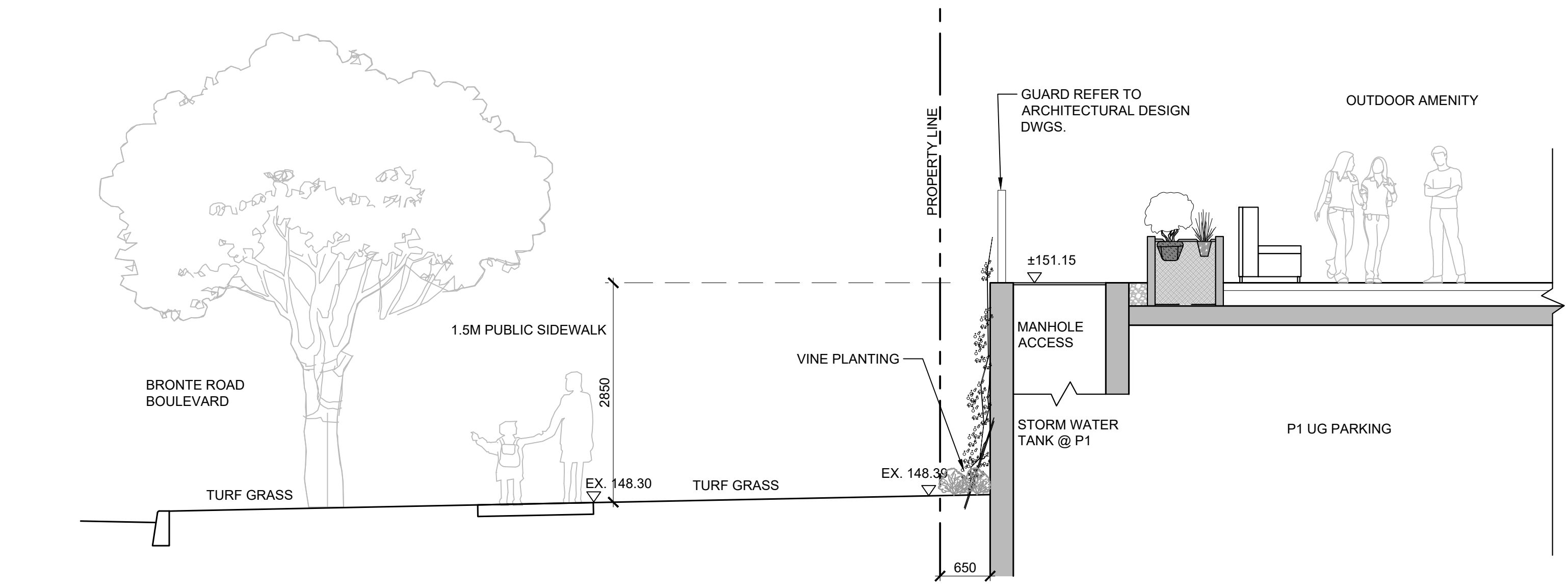
L904



1 COURTYARD SECTION
 L904 1:50



2 TERRACE WALKWAY SECTION
 L904 1:50



3 BRONTE ROAD - AMENITY AREA SECTION
 L904 1:50

