

NOTES:

- ALL DRAWINGS AND SPECIFICATIONS ARE THE PROPERTY OF FORREC Ltd.
- THE CONTRACTOR SHALL VERIFY ALL DIMENSIONS AND INFORMATION ON SITE AND REPORT ANY DISCREPANCIES TO THE CONSULTANT BEFORE PROCEEDING.
- BASE INFORMATION BASED UPON TOPOGRAPHIC SURVEY DRAWING PROVIDED BY THE LANDSCAPE ARCHITECT ON SITE.
- CONTRACTOR TO VERIFY LEGAL PROPERTY LINES AND UTILITIES IN FIELD PRIOR TO STARTING CONSTRUCTION.
- CONTRACTOR TO LOCATE AND PROTECT ALL ABOVE AND BELOW GRADE UTILITIES PRIOR TO THE START OF CONSTRUCTION.
- CONTRACTOR TO ACCURATELY SURVEY AND LAYOUT THE PROPOSED WORK FOR CONSTRUCTION. CONTRACTOR TO VERIFY GRADES, LINES, LEVELS, DIMENSIONS AND INTERIM CONDITIONS, AND REPORT ANY ERRORS, OMISSIONS, OR INCONSISTENCIES TO THE CONSULTANT BEFORE PROCEEDING WITH THE WORK.

NO.	DATE	DESCRIPTION
01	2021-12-06	Issued for SPA
02	2022-05-27	Re-Issued for SPA
03	2022-12-02	Re-Issued for SPA
04	2023-04-20	Re-Issued for SPA

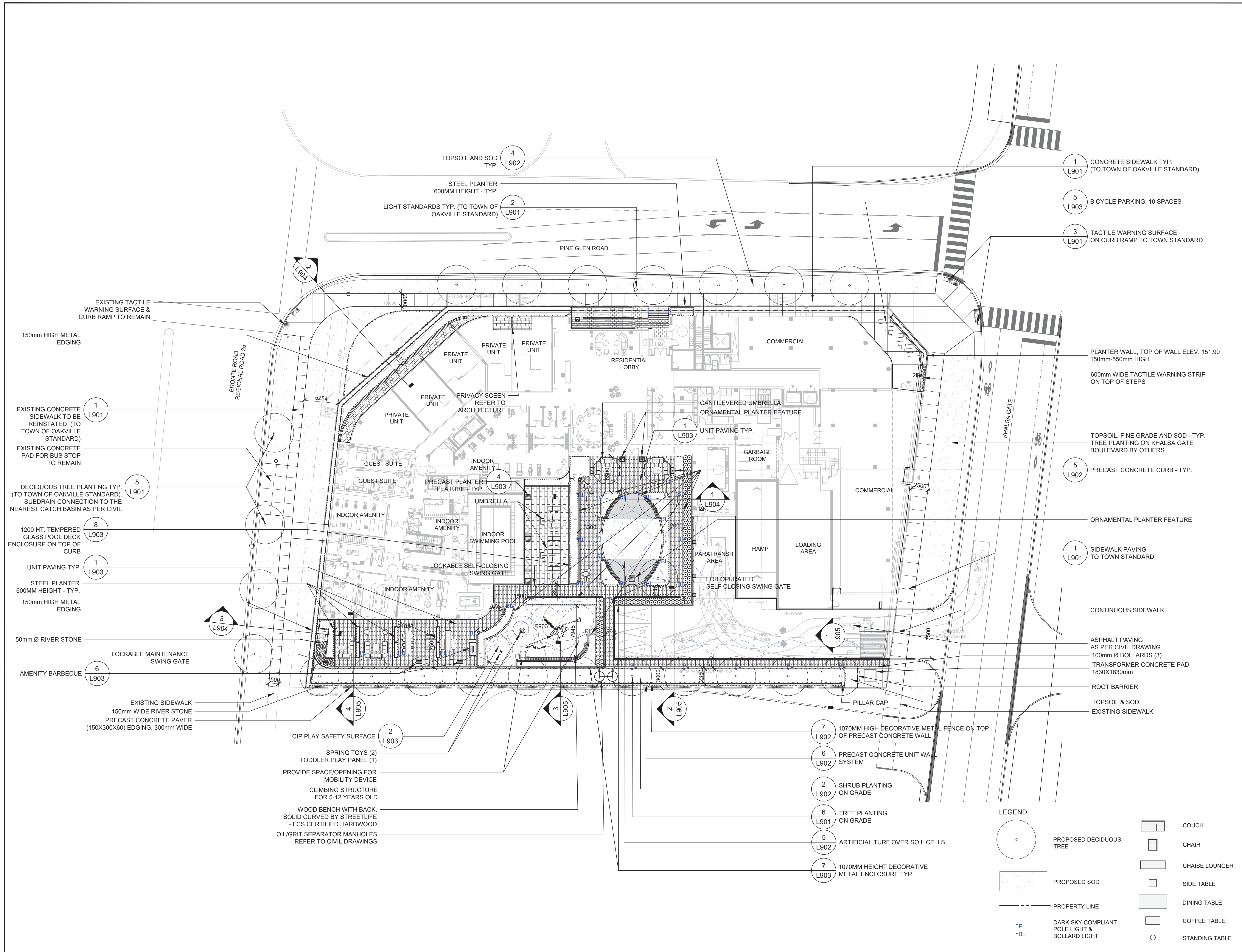
CLIENT

NORTH ARROW	STAMP

PROJECT
**3020 PINE GLEN ROAD
 (2418 KHALSA GATE)**
 2418 KHALSA GATE, OAKVILLE
 DRAWING TITLE
LANDSCAPE LAYOUT PLAN

DATE 2021-12-06	SCALE 1:250
DRAWN BY AM	CHECKED BY ST
PROJECT NO. 21-150	DRAWING NO.

L101



- TOPSOIL AND SOD - TYP. (L902)
- STEEL PLANTER 600MM HEIGHT - TYP. (L901)
- LIGHT STANDARDS TYP. (TO TOWN OF OAKVILLE STANDARD) (L901)
- CONCRETE SIDEWALK TYP. (TO TOWN OF OAKVILLE STANDARD) (L901)
- BICYCLE PARKING, 10 SPACES (L903)
- TACTILE WARNING SURFACE ON CURB RAMP TO TOWN STANDARD (L901)
- EXISTING TACTILE WARNING SURFACE & CURB RAMP TO REMAIN
- 150mm HIGH METAL EDGING
- EXISTING CONCRETE SIDEWALK TO BE REINSTATED (TO TOWN OF OAKVILLE STANDARD) (L901)
- EXISTING CONCRETE PAD FOR BUS STOP TO REMAIN
- DECIDUOUS TREE PLANTING TYP. (TO TOWN OF OAKVILLE STANDARD). SUBDRAIN CONNECTION TO THE NEAREST CATCH BASIN AS PER CIVIL (L901)
- 1200 HT. TEMPERED GLASS POOL DECK ENCLOSURE ON TOP OF CURB (L903)
- UNIT PAVING TYP. (L903)
- STEEL PLANTER 600MM HEIGHT - TYP. (L903)
- 150mm HIGH METAL EDGING
- 50mm Ø RIVER STONE (L904)
- LOCKABLE MAINTENANCE SWING GATE (L903)
- AMENITY BARBECUE (L903)
- EXISTING SIDEWALK 150mm WIDE RIVER STONE PRECAST CONCRETE PAVER (150X300X60) EDGING, 300mm WIDE (L905)
- CIP PLAY SAFETY SURFACE (L903)
- SPRING TOYS (2) TODDLER PLAY PANEL (1) PROVIDE SPACE/OPENING FOR MOBILITY DEVICE CLIMBING STRUCTURE FOR 5-12 YEARS OLD WOOD BENCH WITH BACK, SOLID CURVED BY STREETLIFE - FCS CERTIFIED HARDWOOD OIL/GRIT SEPARATOR MANHOLES REFER TO CIVIL DRAWINGS (L905)
- 1070MM HIGH DECORATIVE METAL FENCE ON TOP OF PRECAST CONCRETE WALL (L902)
- PRECAST CONCRETE UNIT WALL SYSTEM (L902)
- SHRUB PLANTING ON GRADE (L902)
- TREE PLANTING ON GRADE (L901)
- ARTIFICIAL TURF OVER SOIL CELLS (L902)
- 1070MM HEIGHT DECORATIVE METAL ENCLOSURE TYP. (L903)
- PLANTER WALL, TOP OF WALL ELEV. 151.90 150mm-550mm HIGH (L902)
- 600mm WIDE TACTILE WARNING STRIP ON TOP OF STEPS (L902)
- TOPSOIL, FINE GRADE AND SOD - TYP. TREE PLANTING ON KHALSA GATE BOULEVARD BY OTHERS (L902)
- PRECAST CONCRETE CURB - TYP. (L902)
- ORNAMENTAL PLANTER FEATURE (L901)
- SIDEWALK PAVING TO TOWN STANDARD (L901)
- CONTINUOUS SIDEWALK (L905)
- ASPHALT PAVING AS PER CIVIL DRAWING 100mm Ø BOLLARDS (3) TRANSFORMER CONCRETE PAD 1830X1830mm (L905)
- ROOT BARRIER (L905)
- TOPSOIL & SOD EXISTING SIDEWALK (L905)
- 1070MM HIGH DECORATIVE METAL FENCE ON TOP OF PRECAST CONCRETE WALL (L902)
- PRECAST CONCRETE UNIT WALL SYSTEM (L902)
- SHRUB PLANTING ON GRADE (L902)
- TREE PLANTING ON GRADE (L901)
- ARTIFICIAL TURF OVER SOIL CELLS (L902)
- 1070MM HEIGHT DECORATIVE METAL ENCLOSURE TYP. (L903)
- COUCH
- CHAIR
- CHAISE LOUNGER
- SIDE TABLE
- DINING TABLE
- COFFEE TABLE
- STANDING TABLE

NOTES:

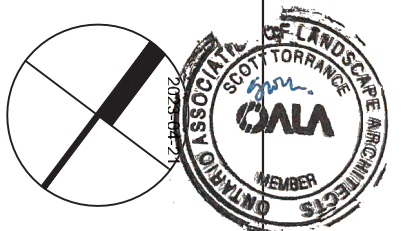
- ALL DRAWINGS AND SPECIFICATIONS ARE THE PROPERTY OF FORREC LTD.
- THE CONTRACTOR SHALL VERIFY ALL DIMENSIONS AND INFORMATION ON SITE AND REPORT ANY DISCREPANCIES TO THE CONSULTANT BEFORE PROCEEDING.
- BASE INFORMATION BASED UPON TOPOGRAPHIC SURVEY DRAWING PROVIDED BY THE CLIENT AND FIELD DATA COLLECTED BY THE LANDSCAPE ARCHITECT ON SITE.
- CONTRACTOR TO VERIFY LEGAL PROPERTY LINES AND UTILITIES IN FIELD PRIOR TO STARTING CONSTRUCTION.
- CONTRACTOR TO LOCATE AND PROTECT ALL ABOVE AND BELOW GRADE UTILITIES PRIOR TO THE START OF CONSTRUCTION.
- CONTRACTOR TO ACCURATELY SURVEY AND LAYOUT THE PROPOSED WORK FOR CONSTRUCTION. CONTRACTOR TO VERIFY GRADES, LINES, LEVELS, DIMENSIONS AND INTERIM CONDITIONS, AND REPORT ANY ERRORS, OMISSIONS, OR INCONSISTENCIES TO THE CONSULTANT BEFORE PROCEEDING WITH THE WORK.

NO.	DATE	DESCRIPTION
01	2021-12-06	Issued for SPA
02	2022-05-27	Re-Issued for SPA
03	2022-12-02	Re-Issued for SPA
04	2023-04-20	Re-Issued for SPA

CLIENT

NORTH ARROW

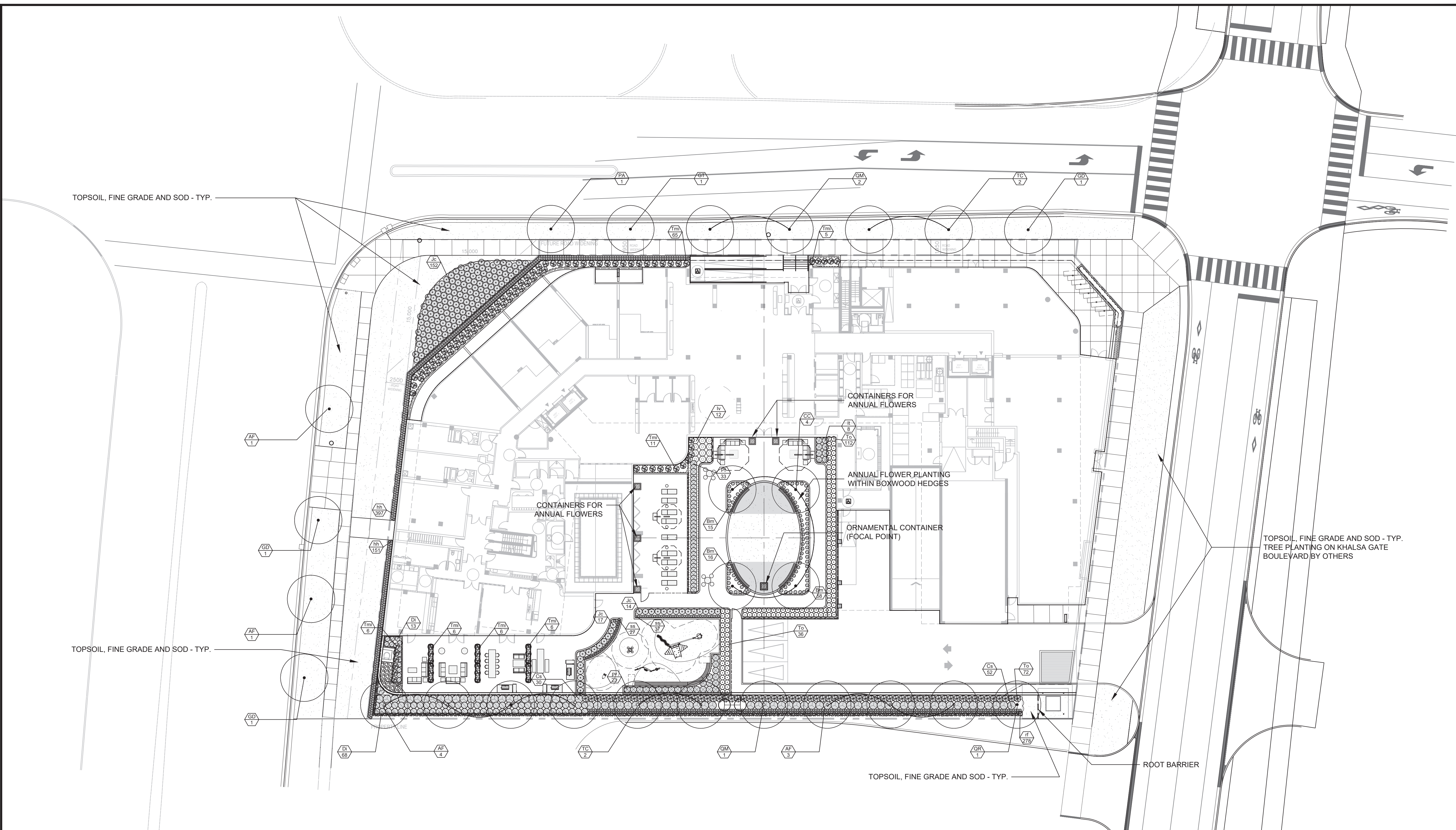
STAMP



PROJECT
**3020 PINE GLEN ROAD
 (2418 KHALSA GATE)**
 2418 KHALSA GATE, OAKVILLE
 DRAWING TITLE
LANDSCAPE PLANTING PLAN

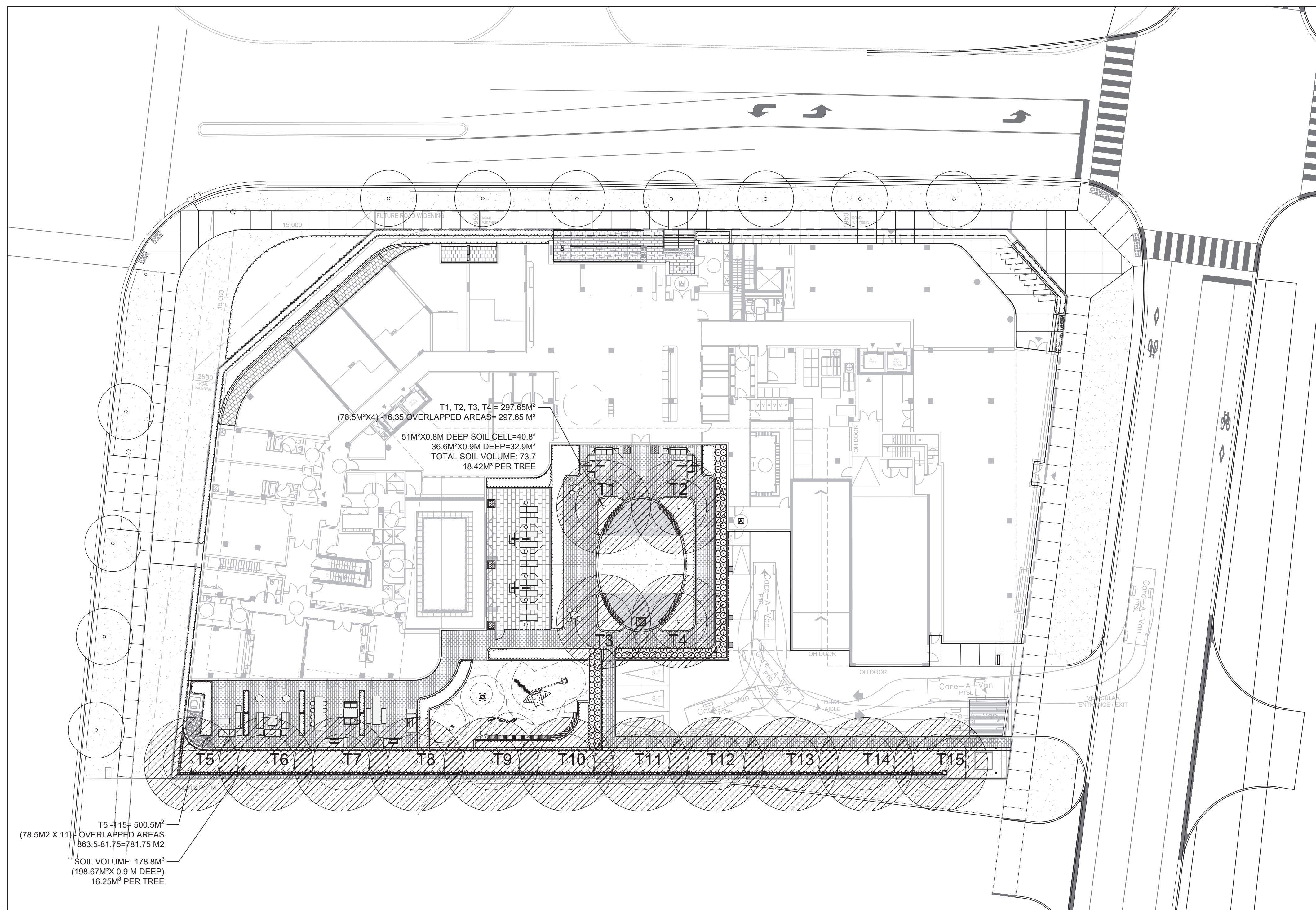
DATE	SCALE
2021-12-06	1:250
DRAWN BY SA	CHECKED BY ST

PROJECT NO.
21-150
DRAWING NO.



PLANTING SCHEDULE

Key	Botanical Name	Common Name	Quantity	Size	Condition	Spacing	Native / Nativar	Drt Tint	NOT ON CSA 2614	Note
Trees										
AF	<i>Acer x freemanii</i>	Freeman Maple	9	60mm cal.	WB	See Plan	Y	Y	Y	
CC	<i>Crataegus crus-galli</i> 'crusader'	Crusader Hawthorn	4	45mm cal.	WB	See plan	Y	N	Y	
GD	<i>Gymnocladus dioica</i>	Kentucky coffeetree	3	60mm cal.	WB	See plan	Y	Y	N	Located away from play area in streetscape.
GT	<i>Gleditsia triacanthos</i>	Honey Locust	1	60mm cal.	WB	See plan	Y	Y	Y	
PA	<i>Platanus x acerifolia</i> 'Bloodgood'	Bloodgood Planetree	1	60mm cal.	WB	See plan	N	Y	Y	
QM	<i>Quercus marcocarpa</i>	Bur Oak	3	60mm cal.	WB	See plan	Y	Y	Y	
QR	<i>Quercus robur</i>	English Oak	1	60mm cal.	WB	See plan	Y	Y	Y	
TC	<i>Tilia cordata</i>	Littleleaf Linden	4	60mm cal.	WB	See plan	N	Y	Y	
Shrubs										
Bm	<i>Buxus x 'Green Gem'</i>	Green Gem Boxwood	89	40cm	3 gal.	60cm O.C.			N	Not located in play area.
Cs	<i>Cornus sericea</i> 'Artic Fire'	Artic Fire Dogwood	82		2 gal.	1000 O.C.	Y	N	Y	
Di	<i>Diervilla lonicera</i>	Bush Honeysuckle	81		2 gal.	800 O.C.	Y	Y	Y	
It	<i>Itea virginica</i>	Little Henry Sweetspire	8		2 gal.	80cm O.C.			Y	
Iv	<i>Ilex Verticillata</i>	Berry Poppins / Mr. Poppins	12		2 gal.	900 O.C.	Y	N	N	Not located in play area.
Jc	<i>Juniperus communis</i> 'Green Carpet'	Green Carpet Juniper	183	40cm	3 gal.	800mm O.C.	Y	Y	Y	
PF	<i>Potentilla fruticosa</i>	Abbotswood Cinquefoil	33		2 gal.	50cm O.C.			Y	
Tmi	<i>Toxus x media</i> 'Hilli'	Hill's Yew	105	100cm ht	BBC	1000 O.C.	Y	Y	N	Not located in play area.
To	<i>Thuja Occidentalis</i> "Emerald"	Eastern White Cedar	220	200cm	WB	600 O.C.	Y	N	Y	
Perennials, Grasses, Vines										
ss	<i>Schizachyrium Scoparium</i>	Little Bluestem	64		1 gal.	300 O.C.	Y	Y	Y	
rf	<i>Rudbeckia fulgida</i> 'goldsturm'	Black-Eyed Susan	278		1 gal.	300 O.C.	N	Y	N	Not located in play area.
hh	<i>Hedera helix</i> 'Baltica'	Baltic English Ivy	548		1 gal.	300 O.C.	N	Y	N	Not located in play area.
pv	<i>Panicum virgatum</i>	Heavy Metal Switch Grass	23		2 gal.	800 O.C.	Y	Y	Y	



Development application guidelines ■ Canopy cover plan and canopy calculation chart

CANOPY CALCULATION CHART TEMPLATE

Submit a separate chart for on-site condition and for streetscape (municipal right-of-way)
 [4] References direction for completing canopy coverage plan and chart

FILE NUMBER SP:1431.004/02
 FILE NAME 3020 PINE GLEN ROAD (2418 KHALSA GATE)

CANOPY COVER TARGET [1] 20 % (based on land use)

Tree #	Species	Stature (S.M.L) [3]	Soil Volume per Tree (m ³) [2]	Canopy Area (m ²) [3]	Canopy Area Sub-total (m ²)
Proposed Canopy On Site					
T1-T4	Crataegus crus-galli 'crusader'	M	18.42	298	
T5-T8	Acer x freemanii	M	16.25	284	
T9-T10	Tilia cordata	M	16.25	142	
T11	Quercus maroccarpa	M	16.25	71	
T12-14	Acer x freemanii	M	16.25	213	
T15	Quercus robur	M	16.25	71	
Subtotal of proposed canopy					1079

Existing Canopy On Site [4]

Subtotal of existing canopy

multiplied by bonus factor of 1.5

Existing Canopy Overhanging Site [4]

Subtotal of existing overhanging canopy

Total # of Trees 15

Total Canopy Area (m²) 1079

Canopy Summary		
Total Site Area		5106.74 m ²
Site Canopy Cover		21.11% %
Canopy Cover Target by Land Use [1]		20 %

Parking Area Summary [5]		
Total Parking Spaces Proposed		0
Total # of Trees in or within 5m of Parking Area		0

3 (v.JL2016)

- NOTES:
- ALL DRAWINGS AND SPECIFICATIONS ARE THE PROPERTY OF FORREC Ltd.
 - THE CONTRACTOR SHALL VERIFY ALL DIMENSIONS AND INFORMATION ON SITE AND REPORT ANY DISCREPANCIES TO THE CONSULTANT BEFORE PROCEEDING.
 - BASE INFORMATION BASED UPON TOPOGRAPHIC SURVEY DRAWING PROVIDED BY THE CLIENT AND FIELD DATA COLLECTED BY THE LANDSCAPE ARCHITECT ON SITE.
 - CONTRACTOR TO VERIFY LEGAL PROPERTY LINES AND UTILITIES IN FIELD PRIOR TO STARTING CONSTRUCTION.
 - CONTRACTOR TO LOCATE AND PROTECT ALL ABOVE AND BELOW GRADE UTILITIES PRIOR TO THE START OF CONSTRUCTION.
 - CONTRACTOR TO ACCURATELY SURVEY AND LAYOUT THE PROPOSED WORK FOR CONSTRUCTION. CONTRACTOR TO VERIFY GRADES, LINES, LEVELS, DIMENSIONS AND INTERIM CONDITIONS, AND REPORT ANY ERRORS, OMISSIONS, OR INCONSISTENCIES TO THE CONSULTANT BEFORE PROCEEDING WITH THE WORK.

NO.	DATE	DESCRIPTION
01	2021-12-06	Issued for SPA
02	2022-05-27	Re-Issued for SPA
03	2022-12-02	Re-Issued for SPA
04	2023-04-20	Re-Issued for SPA

CLIENT

NORTH ARROW

STAMP

- NOTES:
- STREET TREES ON ROADS, OTHER THAN LOCAL ROADS (i.e. PINE GLEN ROAD), CANNOT BE INCLUDED IN THE CANOPY COVERAGE CALCULATION FOR THE SITE (AS PER CITY OF OAKVILLE CANOPY COVER PLAN GUIDANCE)

PROJECT
**3020 PINE GLEN ROAD
 (2418 KHALSA GATE)**
 2418 KHALSA GATE, OAKVILLE

DRAWING TITLE
CANOPY COVER PLAN

DATE 2021-12-06	SCALE 1:250
DRAWN BY SA	CHECKED BY ST

PROJECT NO.
21-150

DRAWING NO.

L103

NOTES:

1. ALL DRAWINGS AND SPECIFICATIONS ARE THE PROPERTY OF FORREC LTD.
2. THE CONTRACTOR SHALL VERIFY ALL DIMENSIONS AND INFORMATION ON SITE AND REPORT ANY DISCREPANCIES TO THE CONSULTANT BEFORE PROCEEDING.
3. BASE INFORMATION BASED UPON TOPOGRAPHIC SURVEY DRAWING PROVIDED BY THE CLIENT AND FIELD DATA COLLECTED BY THE LANDSCAPE ARCHITECT ON SITE.
4. CONTRACTOR TO VERIFY LEGAL PROPERTY LINES AND UTILITIES IN FIELD PRIOR TO STARTING CONSTRUCTION.
5. CONTRACTOR TO LOCATE AND PROTECT ALL ABOVE AND BELOW GRADE UTILITIES PRIOR TO THE START OF CONSTRUCTION.
6. CONTRACTOR TO ACCURATELY SURVEY AND LAYOUT THE PROPOSED WORK FOR CONSTRUCTION. CONTRACTOR TO VERIFY GRADES, LINES, LEVELS, DIMENSIONS AND INTERIM CONDITIONS, AND REPORT ANY ERRORS, OMISSIONS, OR INCONSISTENCIES TO THE CONSULTANT BEFORE PROCEEDING WITH THE WORK.

NO.	DATE	DESCRIPTION
01	2022-05-27	Re-Issued for SPA
02	2022-12-02	Re-Issued for SPA

CLIENT

2 SHRUB PLANTING
 L902
 METAL SHADE STRUCTURE
 ARTIFICIAL TURF

NORTH ARROW

STAMP

PROJECT
**3020 PINE GLEN ROAD
 (2418 KHALSA GATE)**
 2418 KHALSA GATE, OAKVILLE

DRAWING TITLE
**LANDSCAPE LAYOUT PLAN
 LEVEL 2 AMENITY**

DATE
 2021-12-06

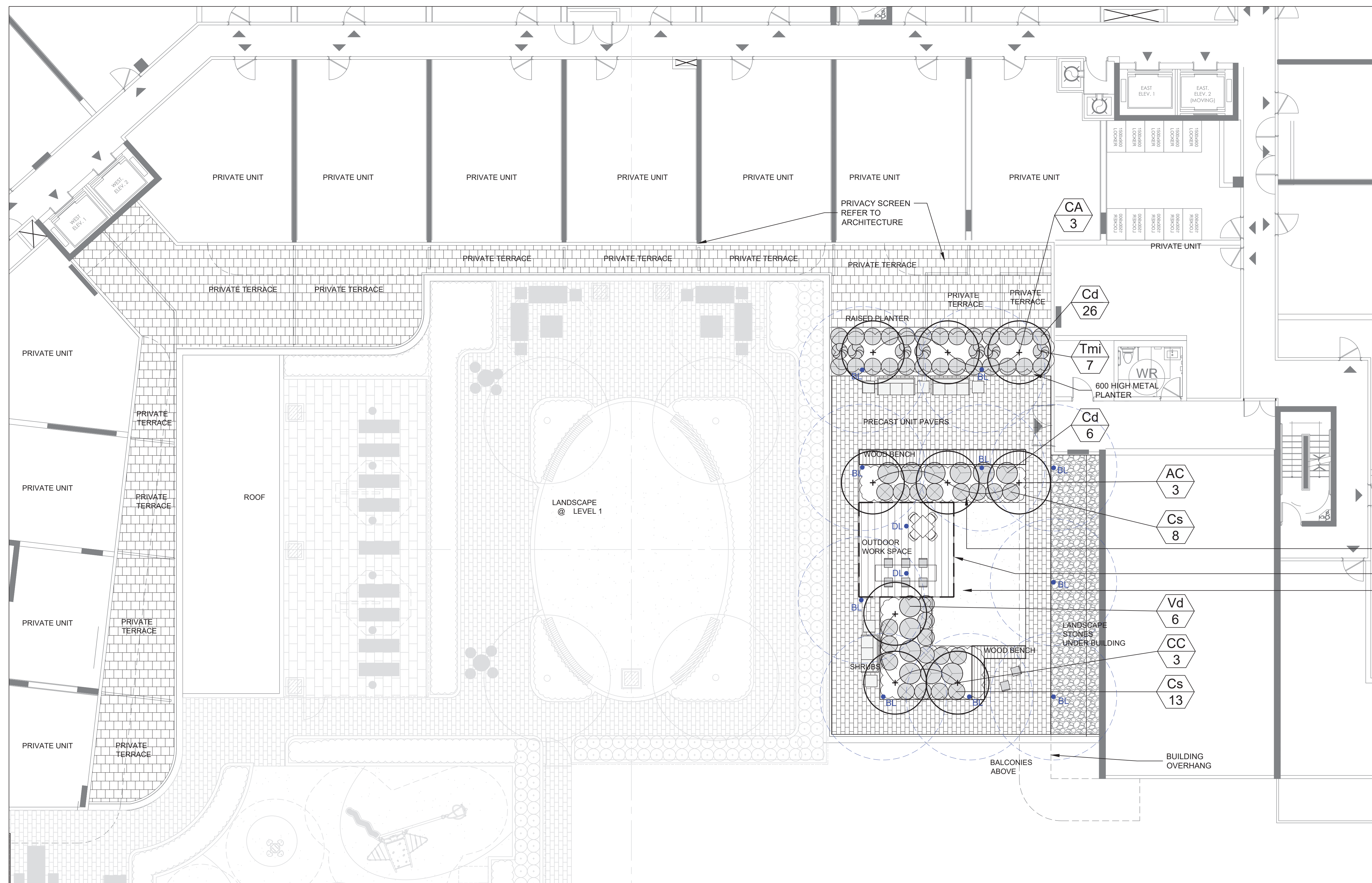
SCALE
 1:100

DRAWN BY
 AM

CHECKED BY
 ST

PROJECT NO.
 21-150

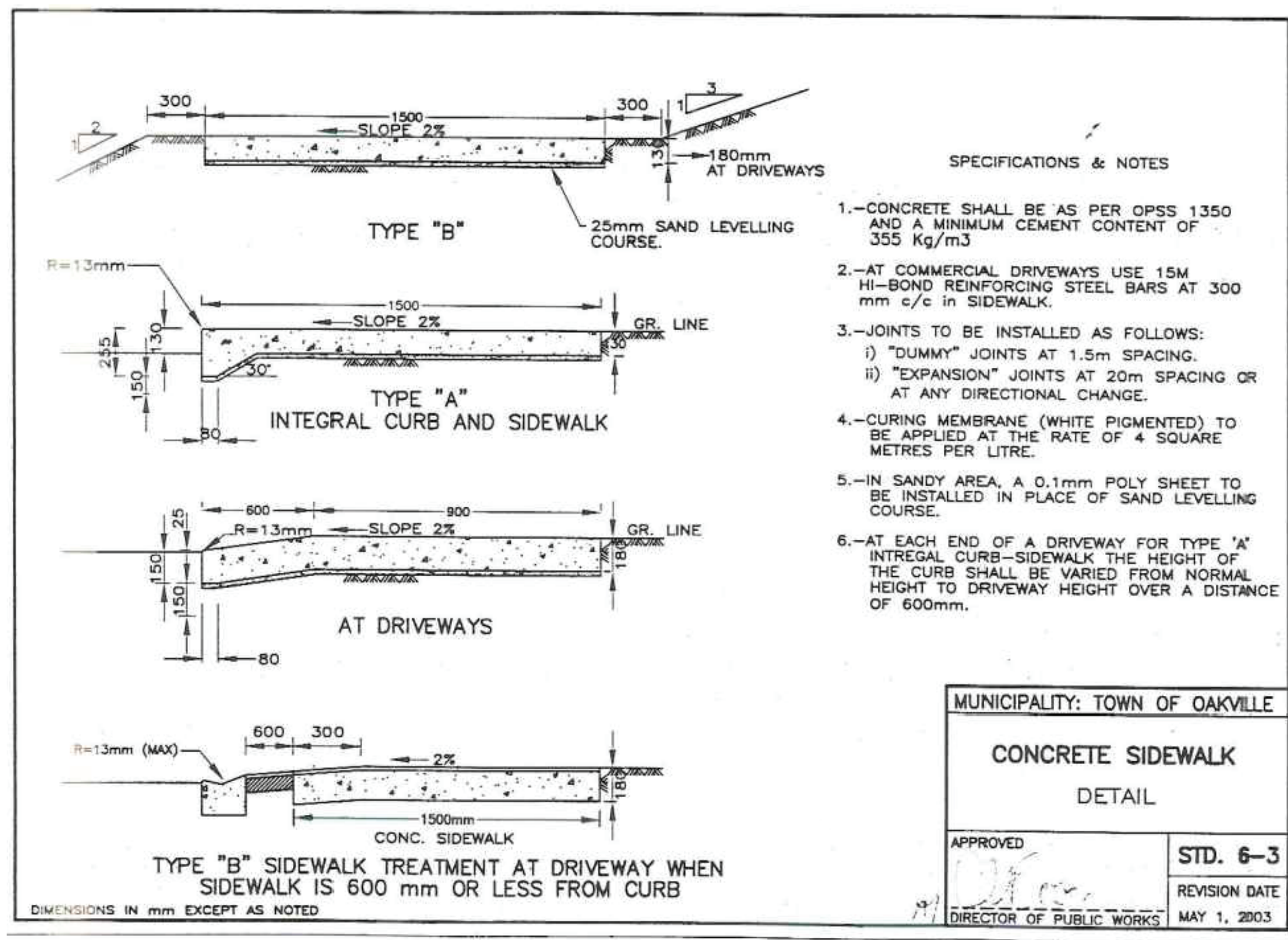
DRAWING NO.



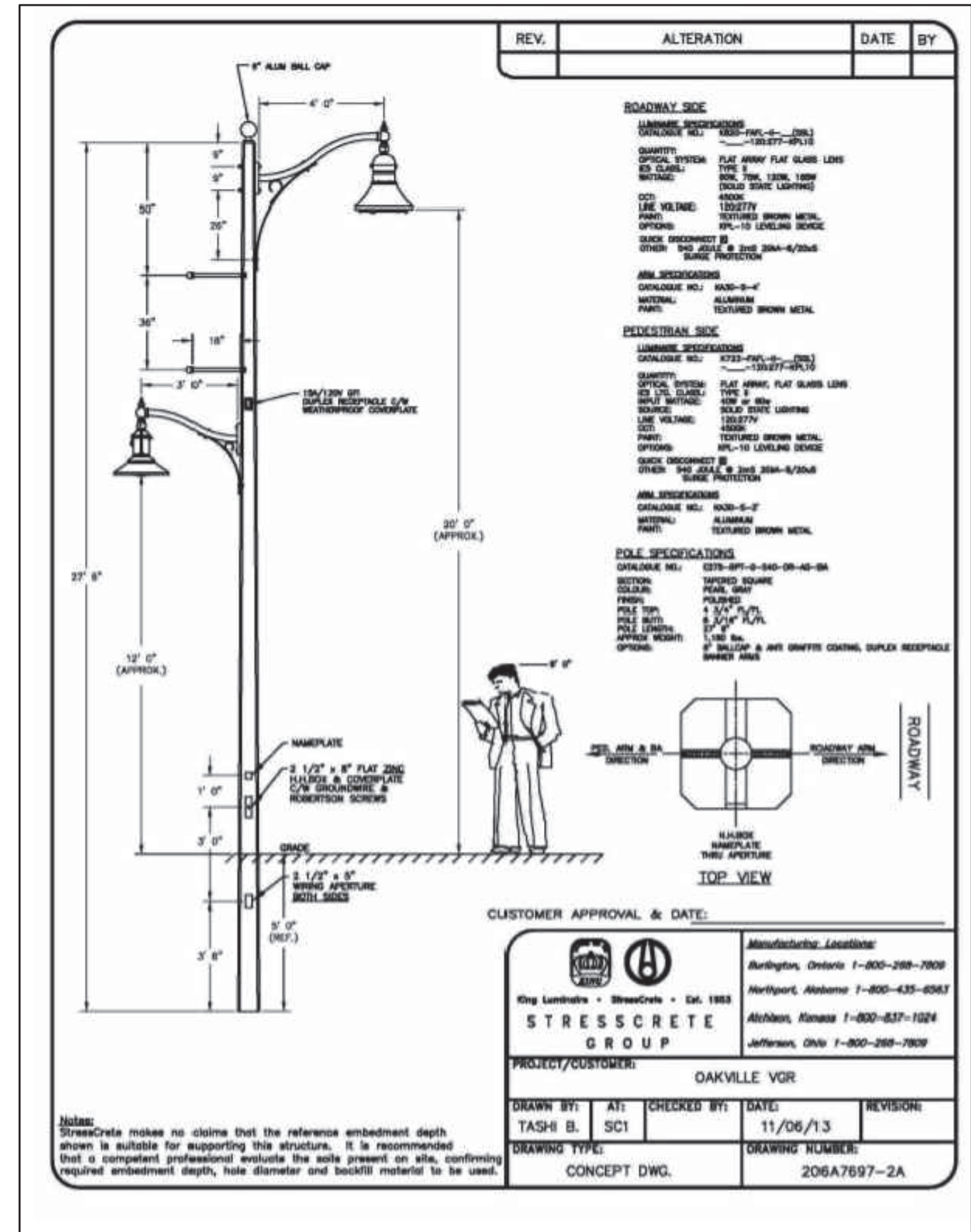
Key	Botanical Name	Common Name	Quantity	Size	Condition	Spacing	Native	Drt Tmt	NOT ON CSA 2614
Trees									
CA	<i>Cornus alternifolia</i>	Pagoda Dogwood	3	Clump 175cm	WB	See Plan	Y	N	Y
CC	<i>Crataegus crus-galli 'crusader'</i>	Crusader Hawthorn	3	45mm cal.	WB	See plan	Y	N	Y
AC	<i>Amelanchier canadensis</i>	Serviceberry	3	45mm cal.	WB	See plan	Y	Y	Y
Shrubs									
Tmi	<i>Taxus x media 'Hilli'</i>	Hill's Yew	7	100cm ht	BBC	1000 O.C.	Y	Y	Y
Cd	<i>Cotoneaster dammeri 'Coral Beauty'</i>	Bearberry cotoneaster	32	50cm	3 gal.	800 O.C.	N	Y	Y
Vd	<i>Viburnum farreri 'Nanum'</i>	Dwarf Fragrant Viburnum	6	50cm	3 gal.	1200 O.C.	Y	N	Y
Cs	<i>Cornus sericea 'Arctic Fire'</i>	Arctic Fire Dogwood	22		2 gal.	750 O.C.	Y	N	Y

LEGEND

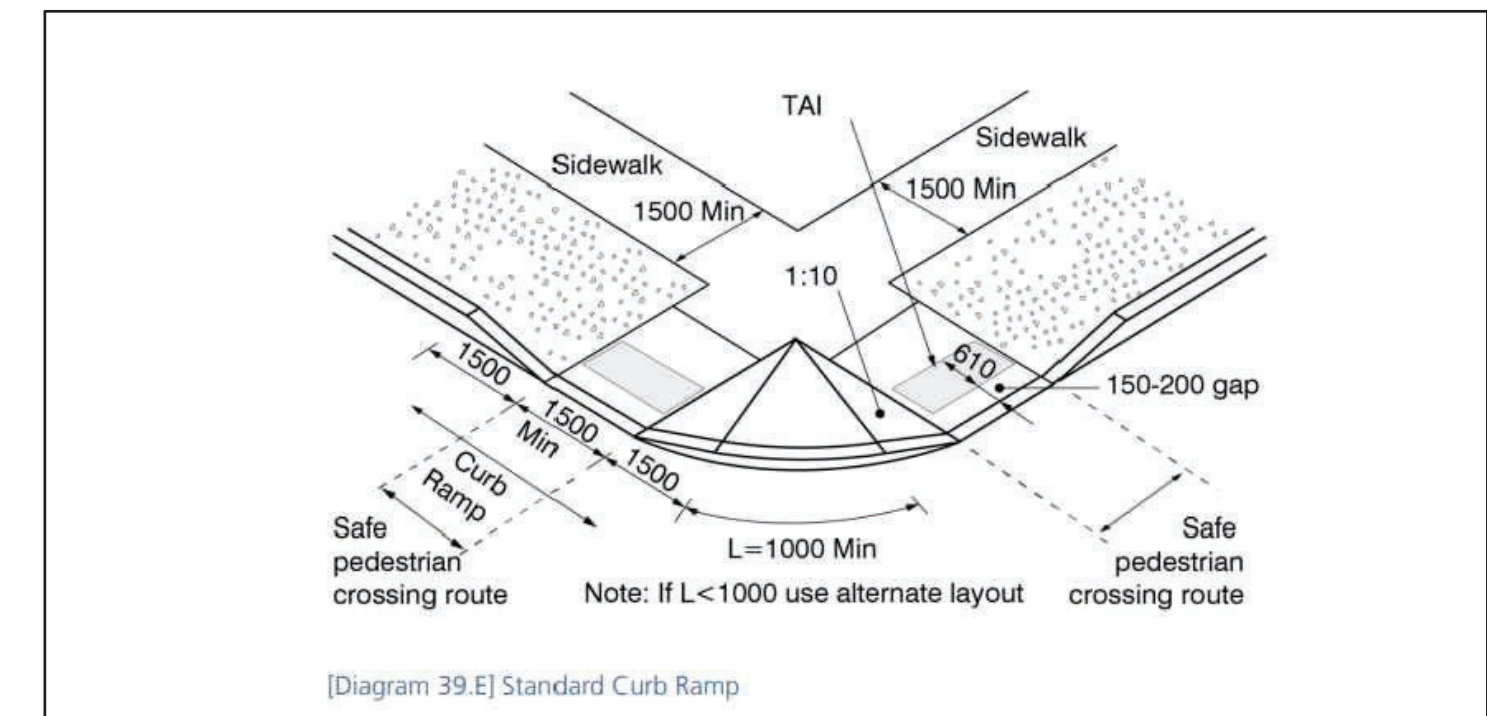
	ARTIFICIAL TURF		ORNAMENTAL FLOWERING TREE		WORK TABLE & CHAIRS
	PRECAST UNIT PAVING		SHRUBS		WORK TABLE & CHAIRS
	PRECAST UNIT PAVING AT PRIVATE TERRACES		PERGOLA		COUCH & SIDE TABLE
			DARK SKY COMPLIANT BOLLARD LIGHT		WOOD BENCH



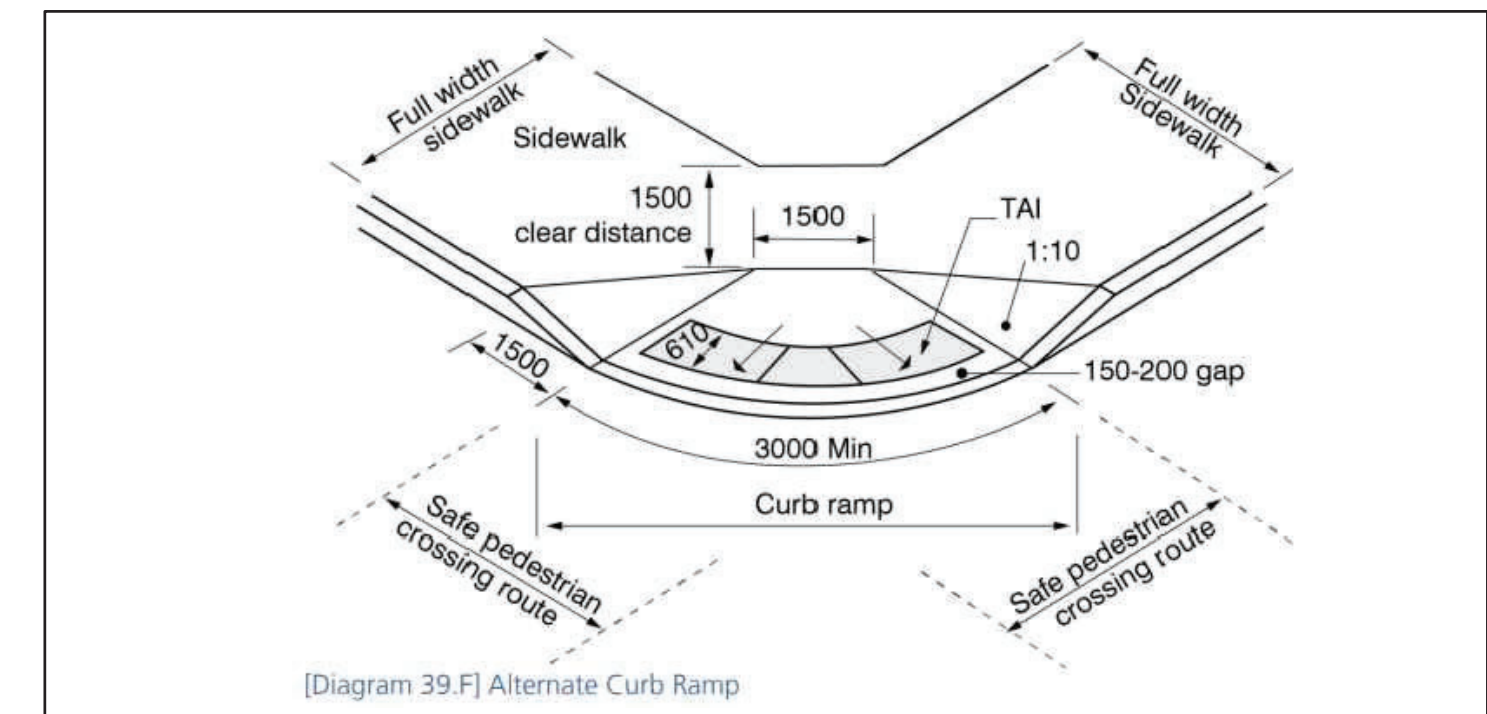
1 SIDEWALK TO TOWN OF OAKVILLE STANDARD
L901 NTS



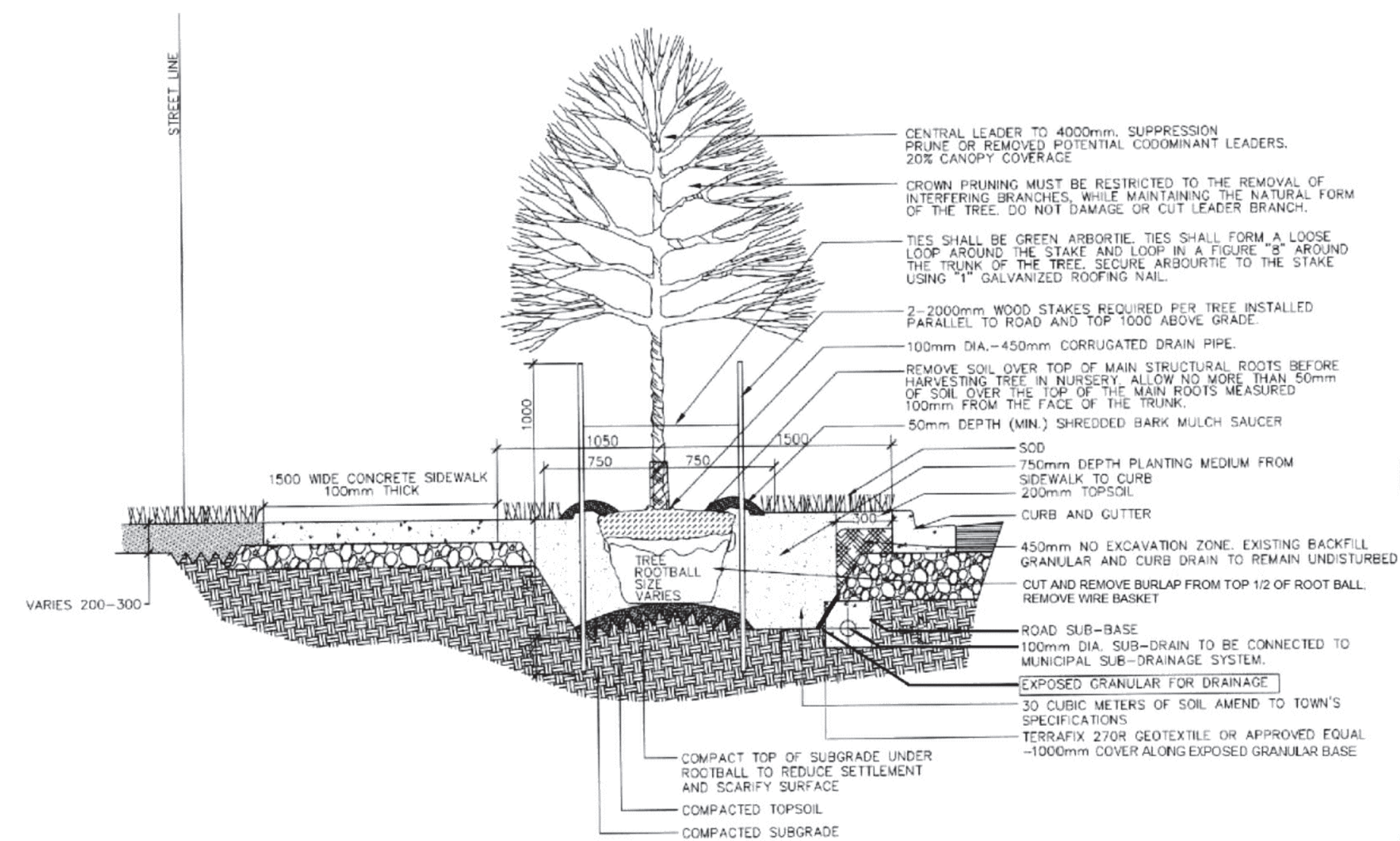
2 TO TOWN OF OAKVILLE STREETSCAPE STANDARD
L901 NTS



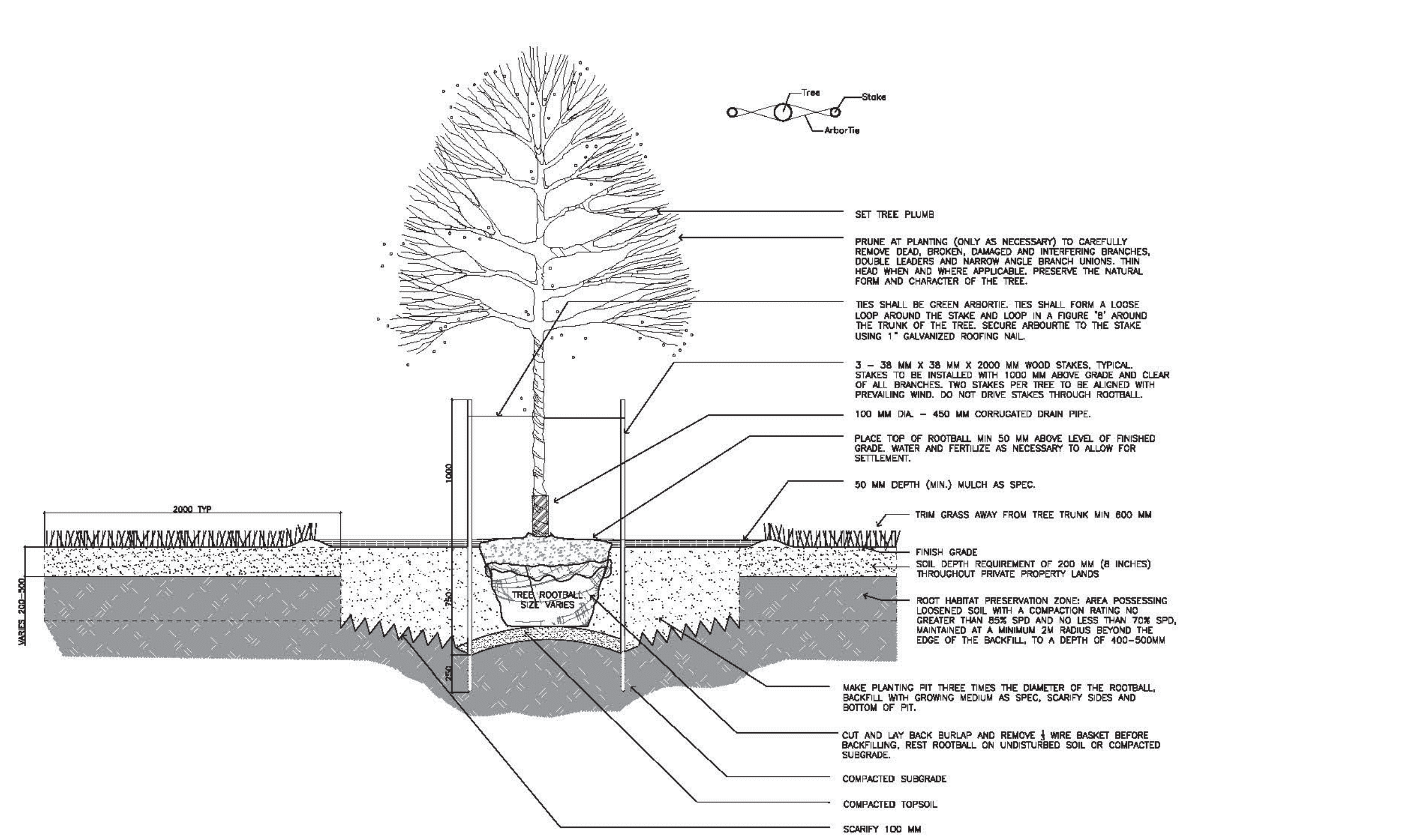
3 STANDARD CURB RAMP TO TOWN STANDARD
L901 NTS



4 ALTERNATE CURB RAMP TO TOWN STANDARD
L901 NTS



5 PUBLIC BOULEVARD TREE PLANTING DETAIL
L901 NTS



6 PRIVATE PROPERTY TREE PLANTING DETAIL
L901 NTS

FOR REC
219 Dufferin Street Suite 100C
Toronto Ontario Canada M6K 3J1
T 416 696 8686 F 416 696 8866
www.forrec.com

- NOTES:
- ALL DRAWINGS AND SPECIFICATIONS ARE THE PROPERTY OF FORREC LTD.
 - THE CONTRACTOR SHALL VERIFY ALL DIMENSIONS AND INFORMATION ON SITE AND REPORT ANY DISCREPANCIES TO THE CONSULTANT BEFORE PROCEEDING.
 - BASE INFORMATION BASED UPON TOPOGRAPHIC SURVEY DRAWING PROVIDED BY THE CLIENT AND FIELD DATA COLLECTED BY THE LANDSCAPE ARCHITECT ON SITE.
 - CONTRACTOR TO VERIFY LEGAL PROPERTY LINES AND UTILITIES IN FIELD PRIOR TO STARTING CONSTRUCTION.
 - CONTRACTOR TO LOCATE AND PROTECT ALL ABOVE AND BELOW GRADE UTILITIES PRIOR TO THE START OF CONSTRUCTION.
 - CONTRACTOR TO ACCURATELY SURVEY AND LAYOUT THE PROPOSED WORK FOR CONSTRUCTION. CONTRACTOR TO VERIFY GRADES, LINES, LEVELS, DIMENSIONS AND INTERIM CONDITIONS, AND REPORT ANY ERRORS, OMISSIONS, OR INCONSISTENCIES TO THE CONSULTANT BEFORE PROCEEDING WITH THE WORK.

NO.	DATE	DESCRIPTION
01	2021-12-06	Issued for SPA
02	2022-05-27	Re-Issued for SPA
03	2022-12-02	Re-Issued for SPA
04	2023-04-20	Re-Issued for SPA

CLIENT

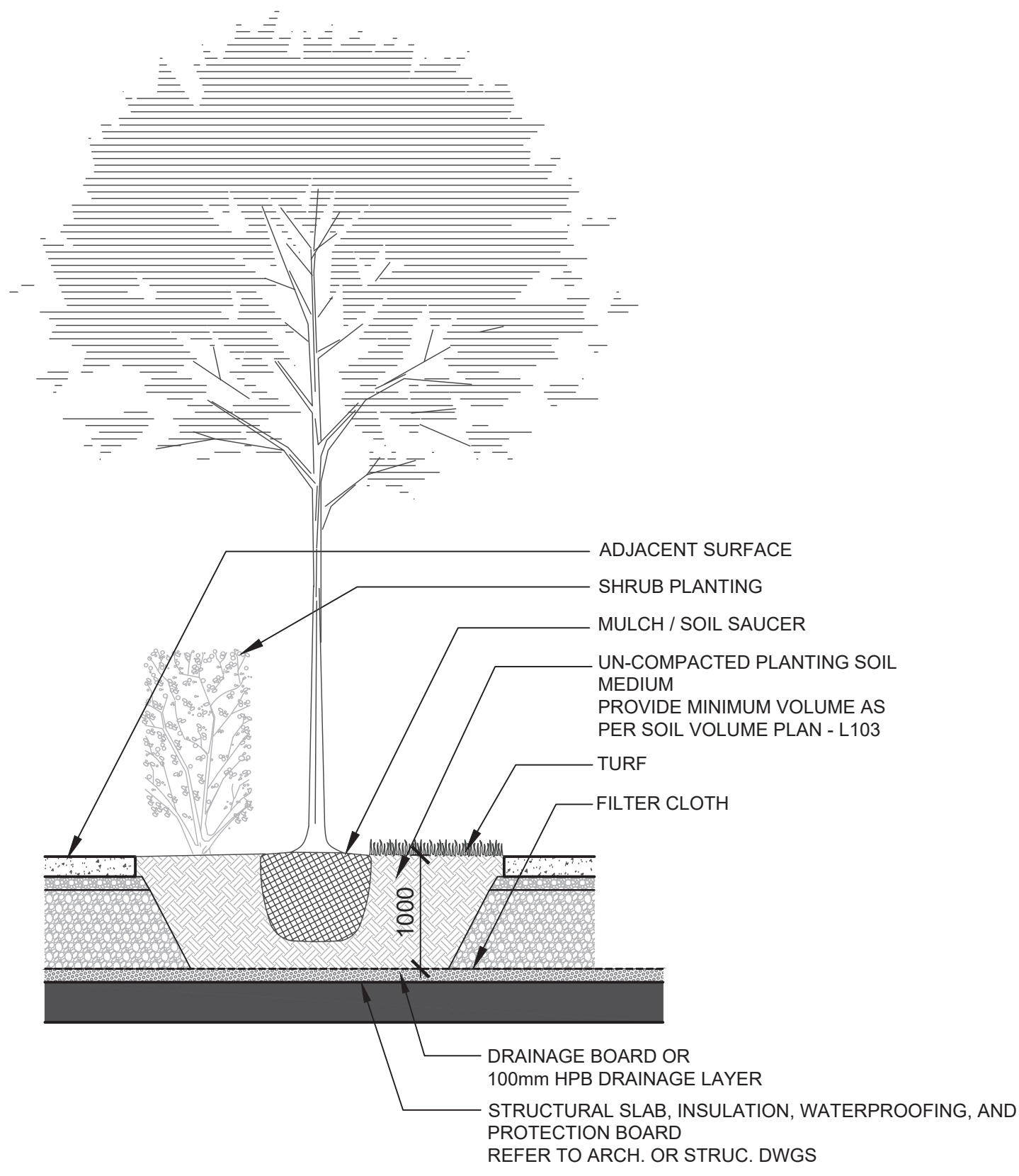
NORTH ARROW

STAMP

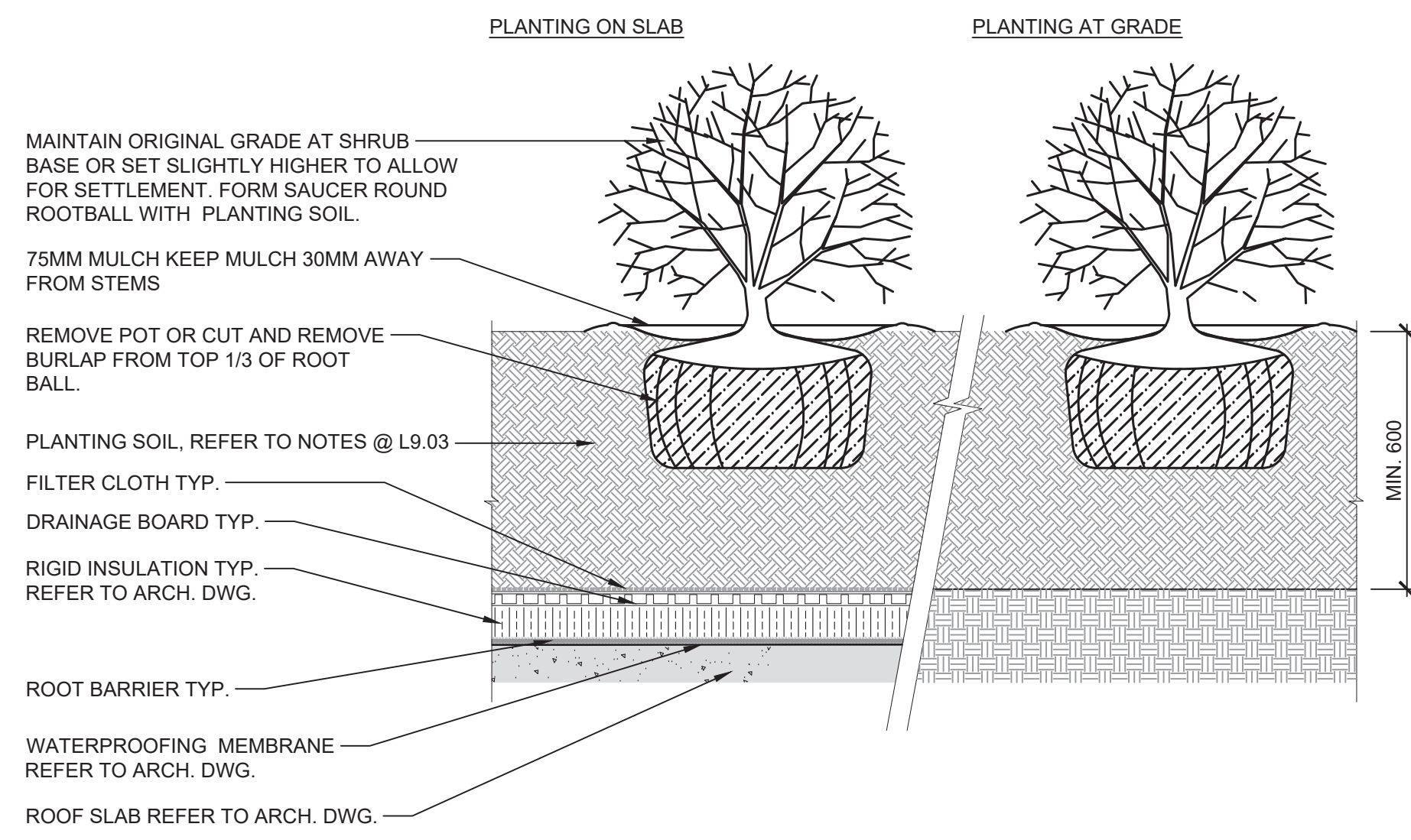
PROJECT: 3020 PINE GLEN ROAD (2418 KHALSA GATE)
2418 KHALSA GATE, OAKVILLE
DRAWING TITLE: LANDSCAPE DETAILS

DATE: 2021-12-06
DRAWN BY: AM
PROJECT NO.: 21-150
DRAWING NO.: L901

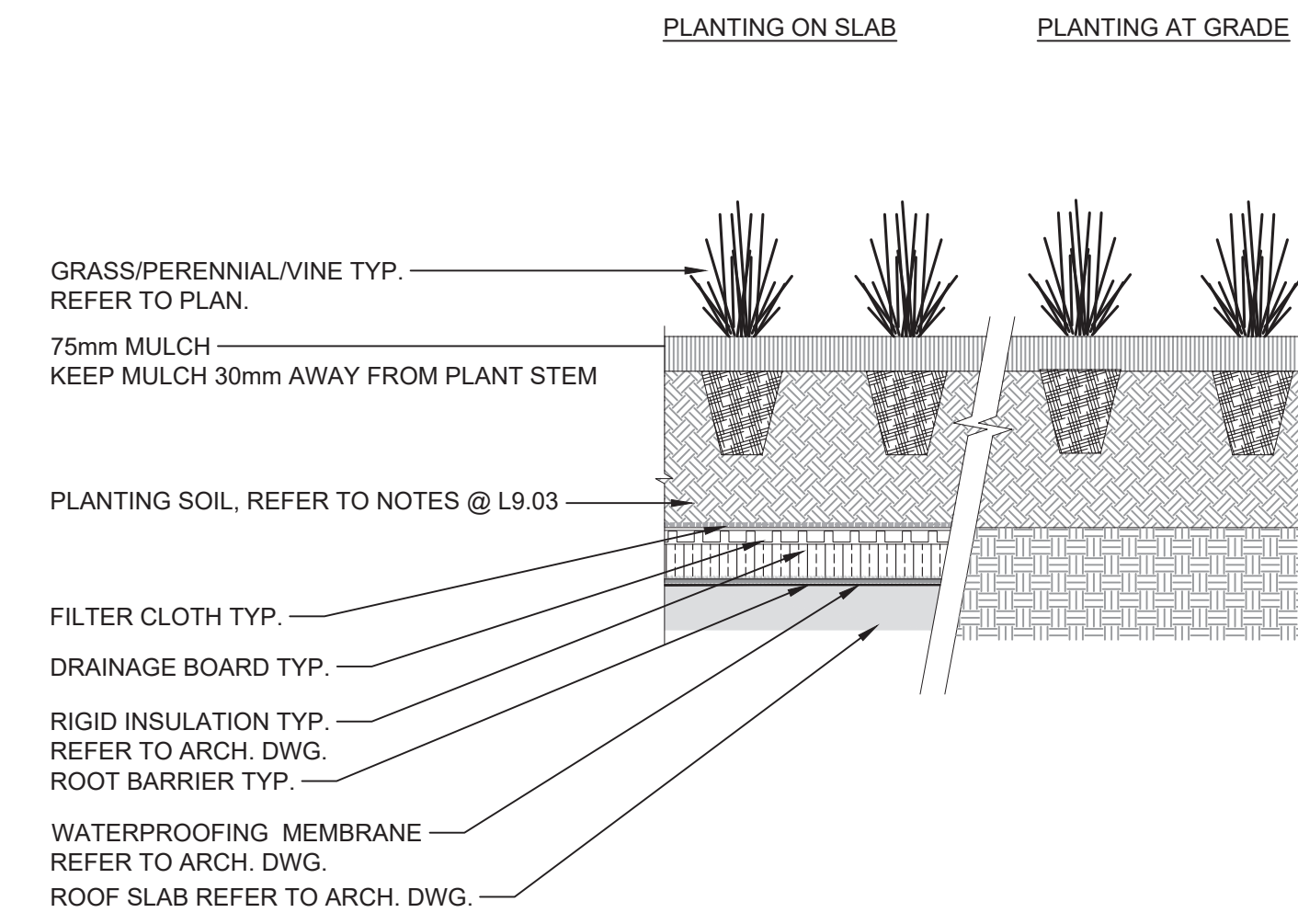
SCALE: AS INDICATED
CHECKED BY: ST



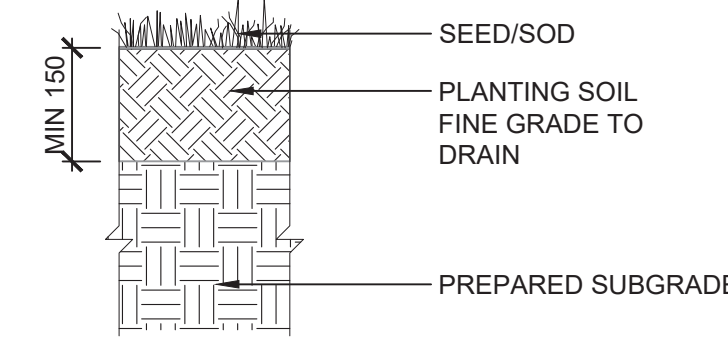
1 DECIDUOUS TREE PLANTING (ON SLAB)
L902 1:25



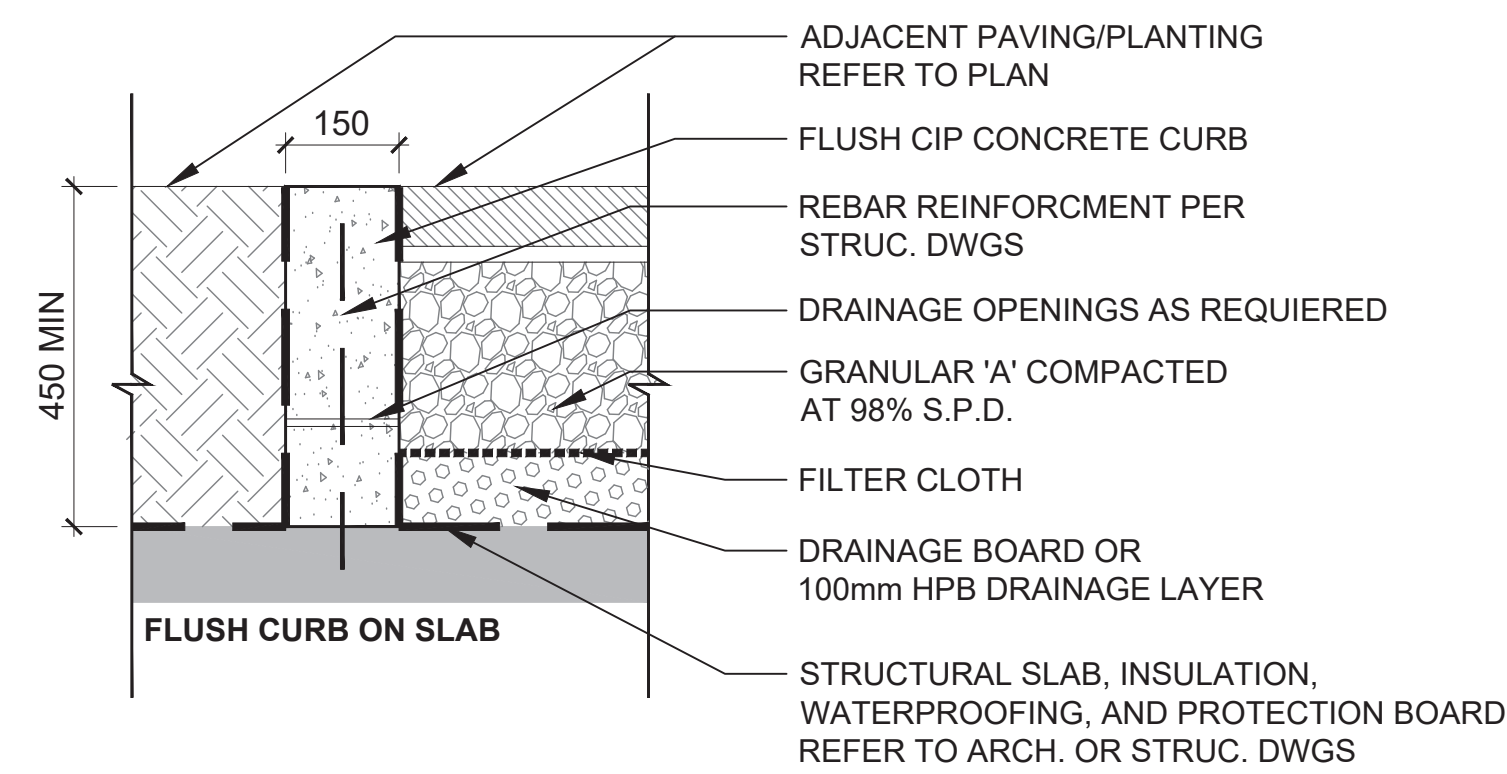
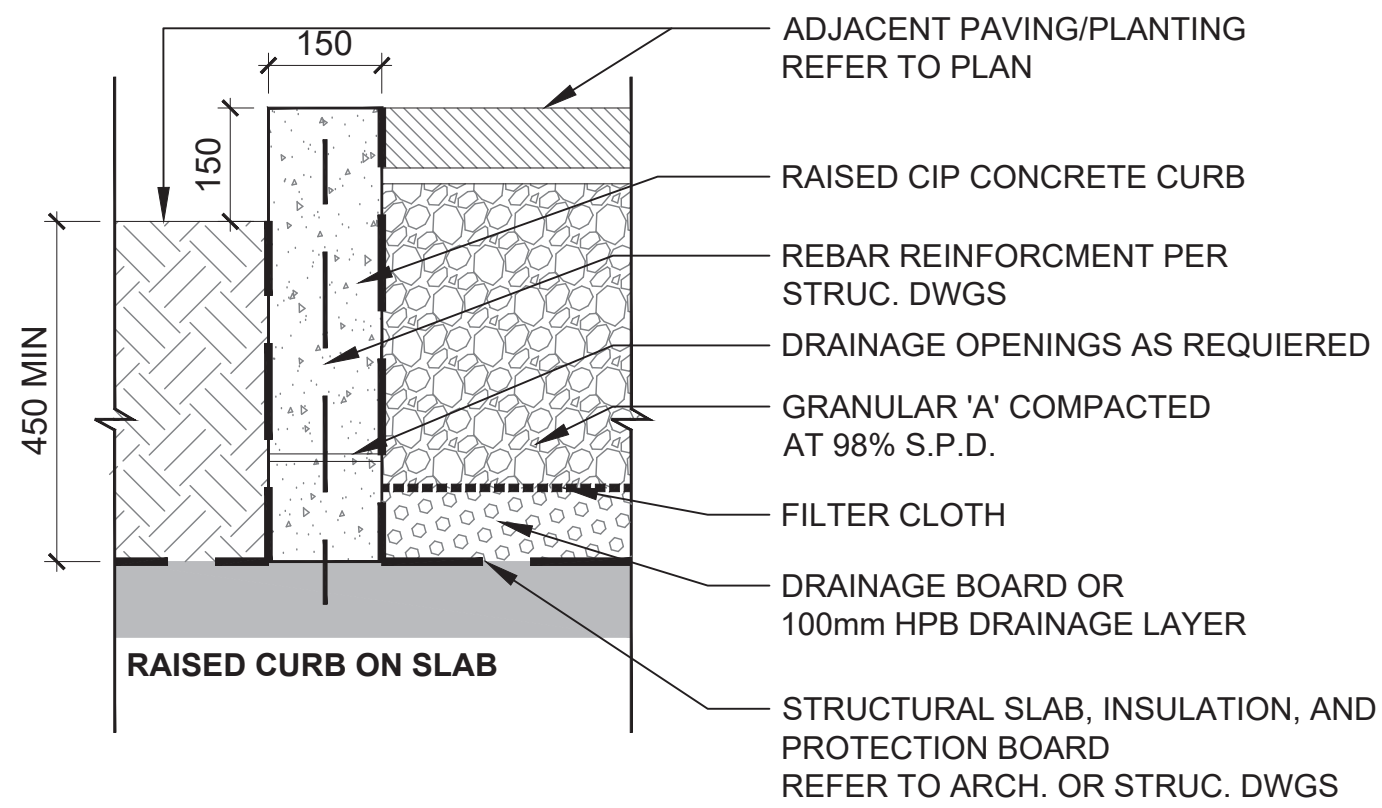
2 SHRUB PLANTING
L902 1:20



3 PERENNIAL/DECORATIVE GRASS PLANTING
L902 1:20

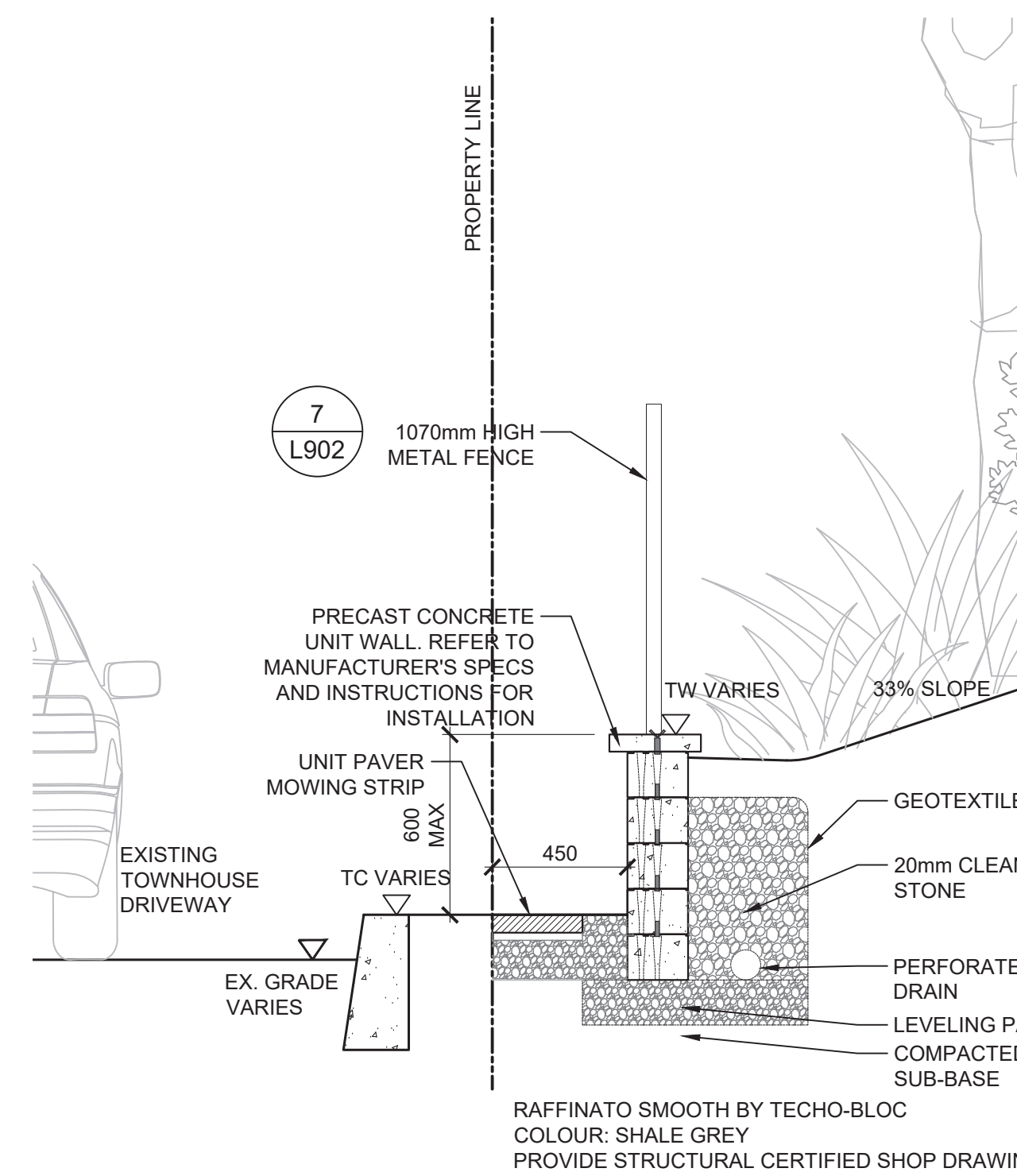


4 SOD PLANTING TYP.
L902 1:10

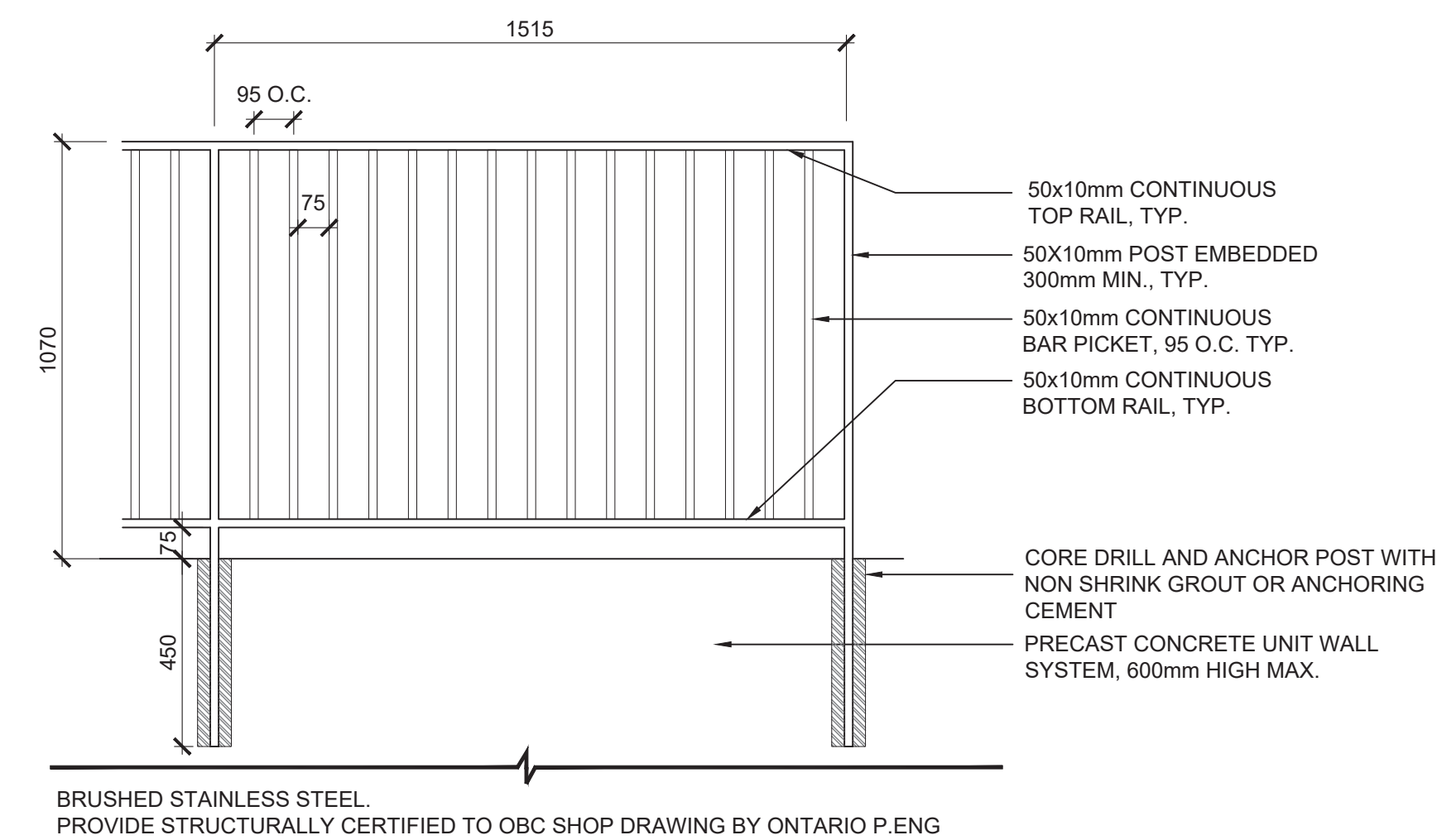


PROVIDE MEDIUM SANDBLAST FINISH TO ALL EXPOSED SURFACES.

5 CONCRETE CURB DETAIL
L902 1:10



6 PRECAST UNIT WALL SYSTEM
L902 1:20



7 METAL FENCE RAIL TYP. 1070MM HEIGHT
L902 NTS

FOR REC

219 Dufferin Street Suite 100C
Toronto Ontario Canada M6K 3J1
T 416 696 8686 F 416 696 8866
www.forrec.com

NOTES:

- ALL DRAWINGS AND SPECIFICATIONS ARE THE PROPERTY OF FORREC Ltd.
- THE CONTRACTOR SHALL VERIFY ALL DIMENSIONS AND INFORMATION ON SITE AND REPORT ANY DISCREPANCIES TO THE CONSULTANT BEFORE PROCEEDING.
- BASE INFORMATION BASED UPON TOPOGRAPHIC SURVEY DRAWING PROVIDED BY THE CLIENT AND FIELD DATA COLLECTED BY THE LANDSCAPE ARCHITECT ON SITE.
- CONTRACTOR TO VERIFY LEGAL PROPERTY LINES AND UTILITIES IN FIELD PRIOR TO STARTING CONSTRUCTION.
- CONTRACTOR TO LOCATE AND PROTECT ALL ABOVE AND BELOW GRADE UTILITIES PRIOR TO THE START OF CONSTRUCTION.
- CONTRACTOR TO ACCURATELY SURVEY AND LAYOUT THE PROPOSED WORK FOR CONSTRUCTION. CONTRACTOR TO VERIFY GRADES, LINES, LEVELS, DIMENSIONS AND INTERIM CONDITIONS, AND REPORT ANY ERRORS, OMISSIONS, OR INCONSISTENCIES TO THE CONSULTANT BEFORE PROCEEDING WITH THE WORK.

NO.	DATE	DESCRIPTION
01	2021-12-06	Issued for SPA
02	2022-05-27	Re-Issued for SPA
03	2022-12-02	Re-Issued for SPA
04	2023-04-20	Re-Issued for SPA

CLIENT

NORTH ARROW

STAMP



PROJECT
3020 PINE GLEN ROAD
(2418 KHALSA GATE)

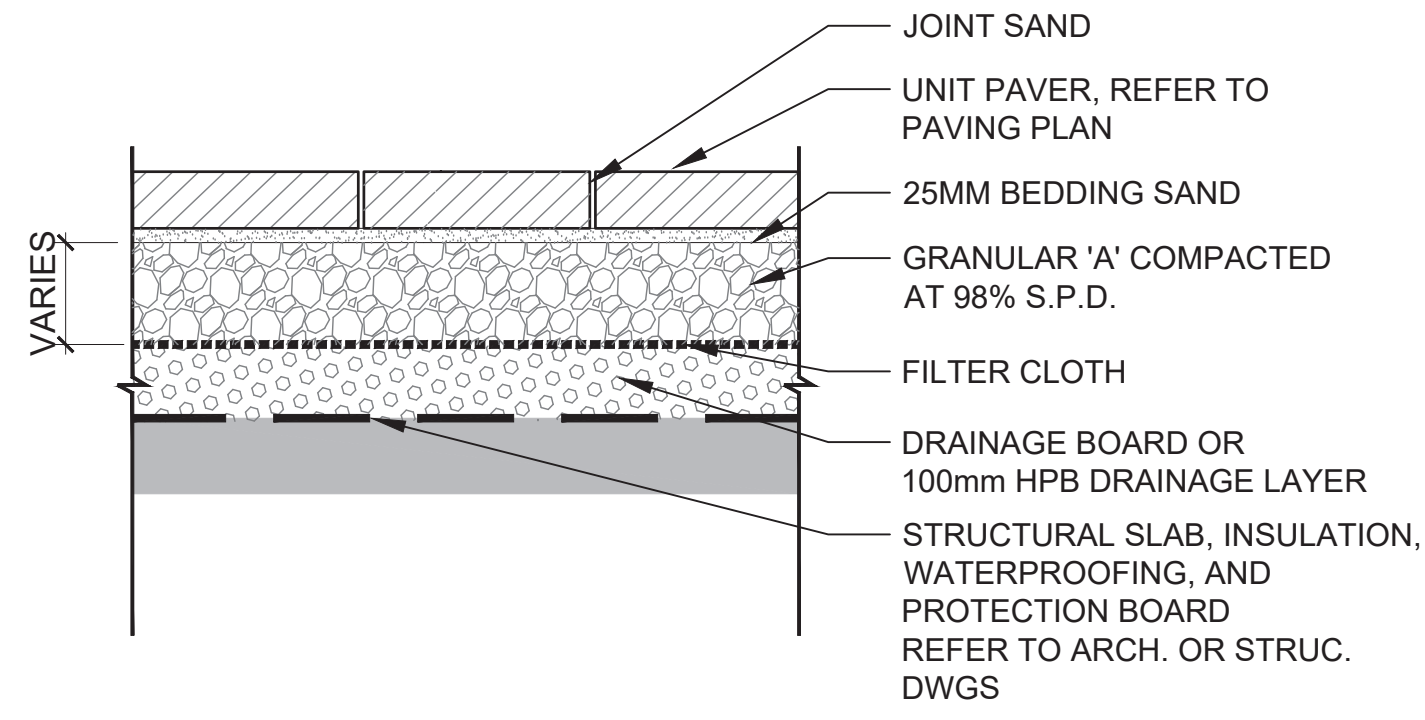
2418 KHALSA GATE, OAKVILLE
DRAWING TITLE
LANDSCAPE DETAILS

DATE	SCALE
2021-12-06	AS INDICATED
DRAWN BY AM	CHECKED BY ST

PROJECT NO.
21-150
DRAWING NO.

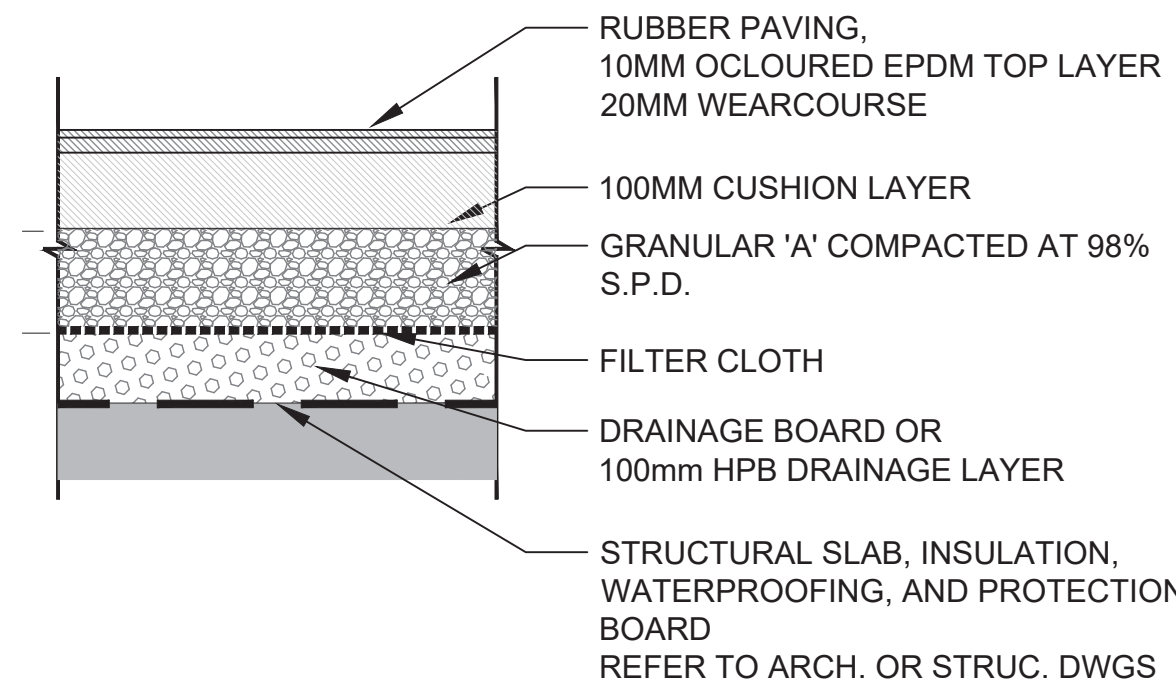
L902

NOTES:
 1. CLAY BRICK PAVER BY WHITACRE-GREER (CONTACT THAMES VALLEY BRICK) - 4X12X2-1/4" COLOUR 50 - HIGH ALBEDO) - INSTALL USING SPACERS, IF NECESSARY TO MANUFACTURER'S SPECIFICATIONS



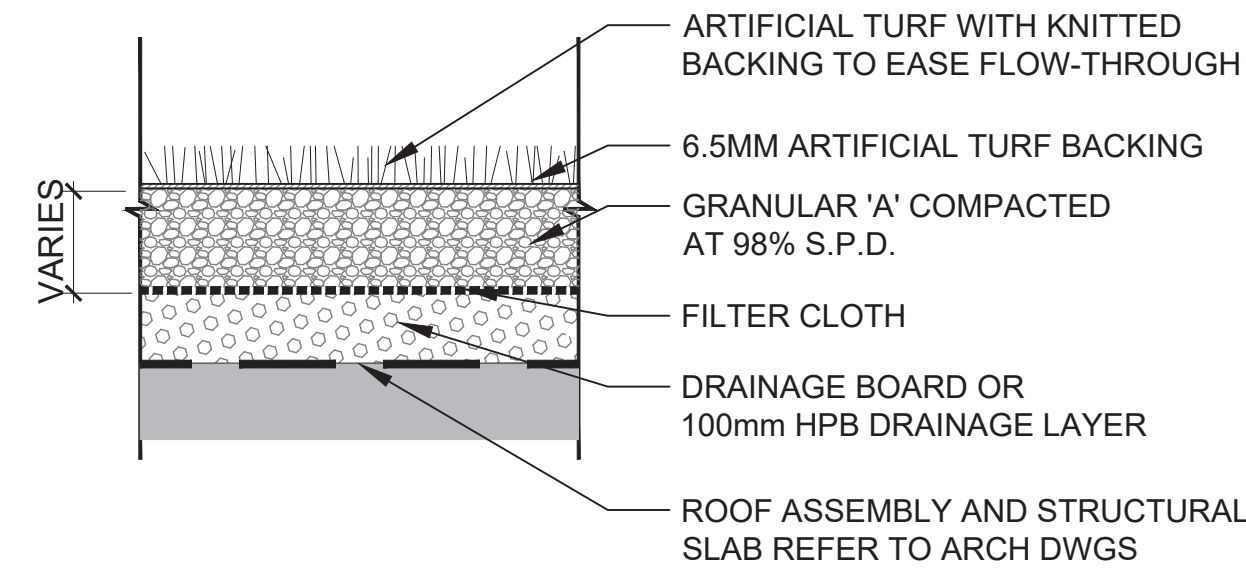
1 PRECAST UNIT PAVING
 L903 1:10

NOTES:
 1. CONTRACTOR TO SUBMIT SHOP DRAWINGS AND COLOUR SAMPLE FOR REVIEW BY CONSULTANT PRIOR TO MANUFACTURE.



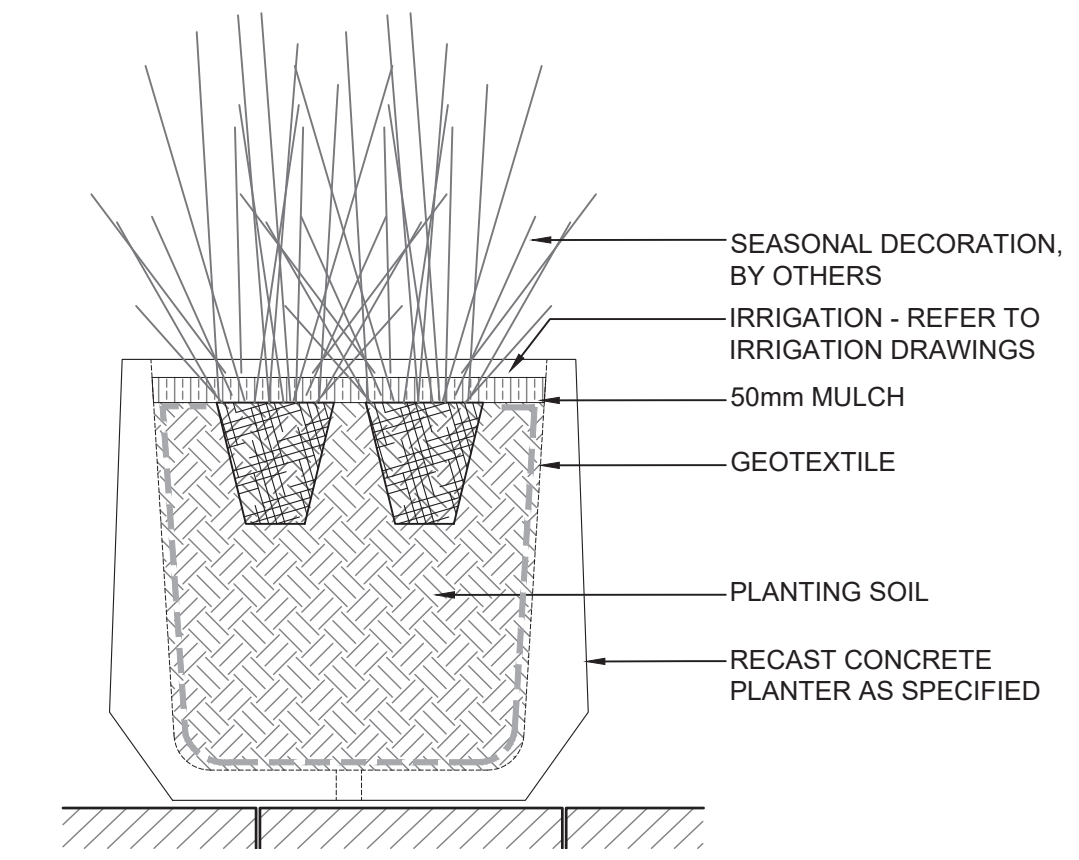
2 CIP PLAY SAFETY SURFACE
 L903 1:10

NOTES:
 1. CONTRACTOR TO SUBMIT SHOP DRAWINGS AND COLOUR SAMPLE FOR REVIEW BY CONSULTANT PRIOR TO MANUFACTURE.



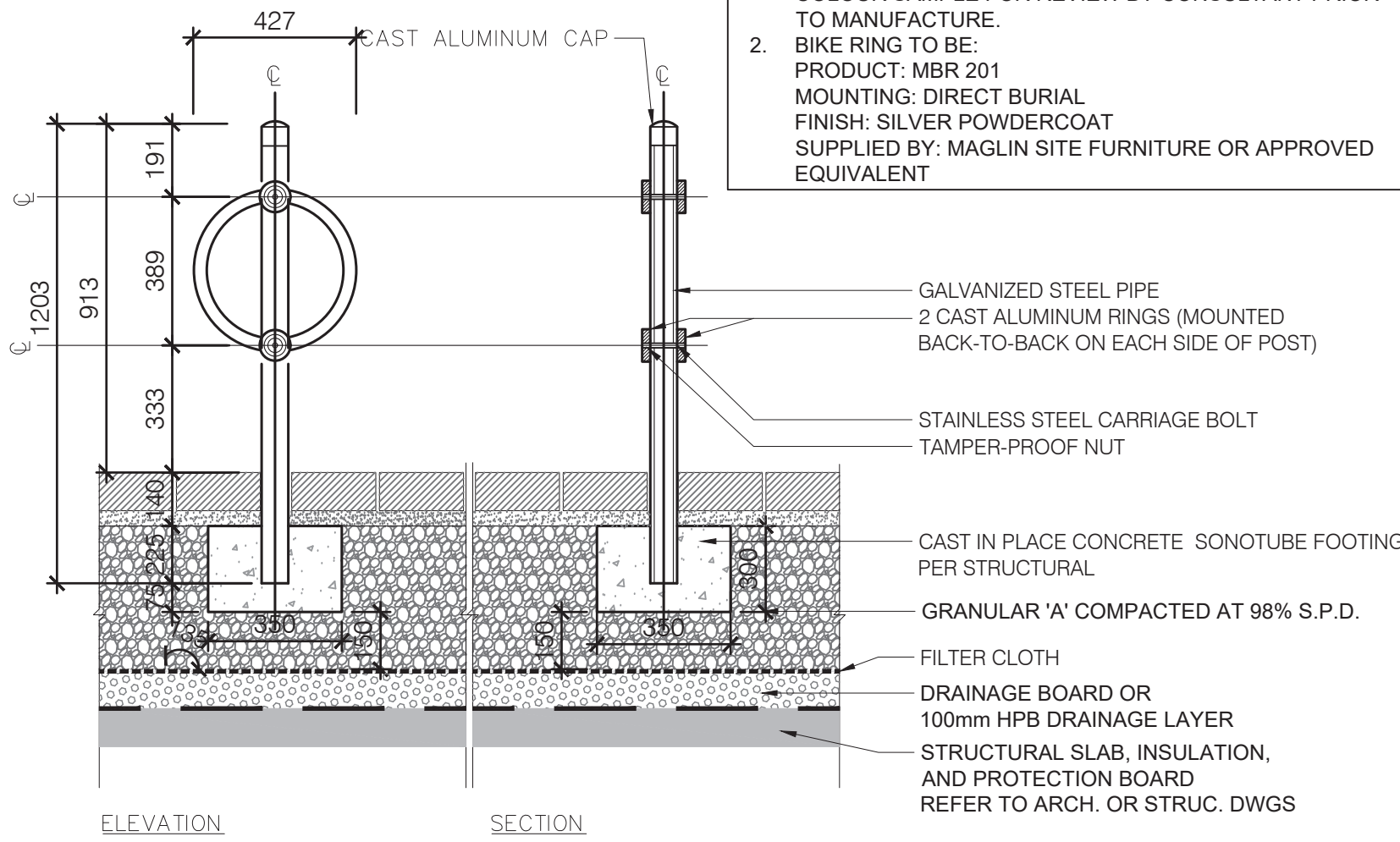
3 ARTIFICIAL TURF
 L903 1:10

NOTES:
 1. CONTRACTOR TO SUBMIT SHOP DRAWINGS AND COLOUR SAMPLE FOR REVIEW BY CONSULTANT PRIOR TO MANUFACTURE.



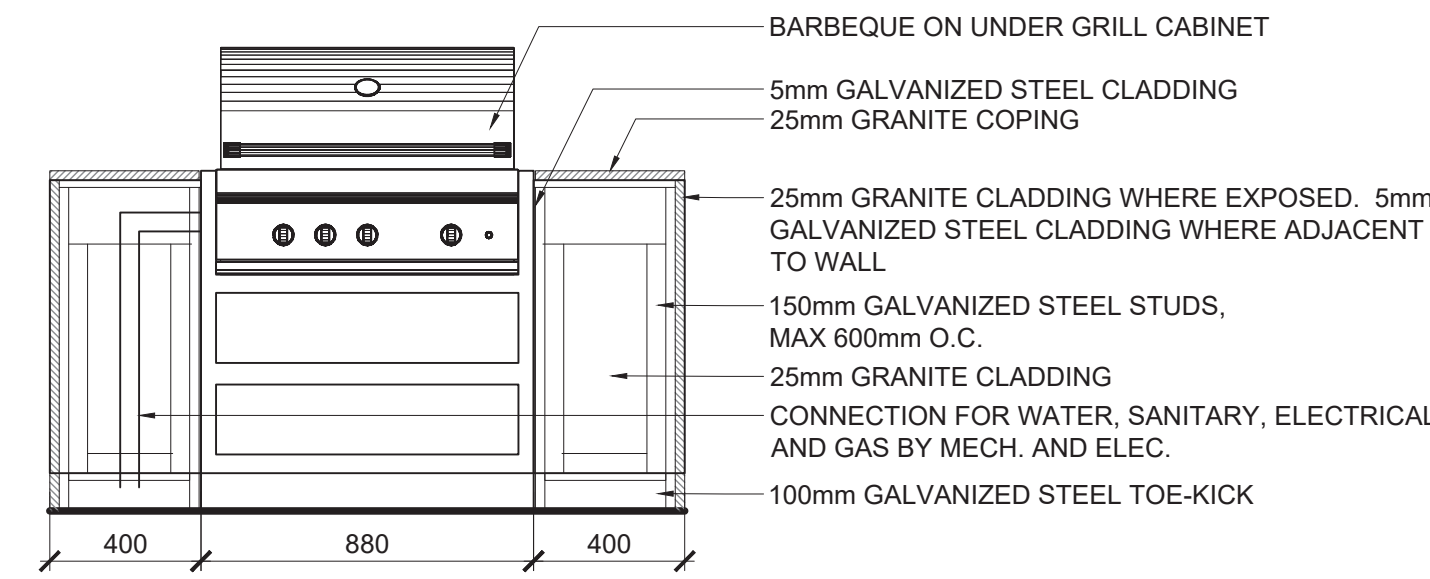
4 PRECAST PLANTER
 L903 NTS

NOTES:
 1. CONTRACTOR TO SUBMIT SHOP DRAWINGS AND COLOUR SAMPLE FOR REVIEW BY CONSULTANT PRIOR TO MANUFACTURE.
 2. BIKE RING TO BE: PRODUCT: MBR 201 MOUNTING: DIRECT BURIAL FINISH: SILVER POWDERCOAT SUPPLIED BY: MAGLIN SITE FURNITURE OR APPROVED EQUIVALENT

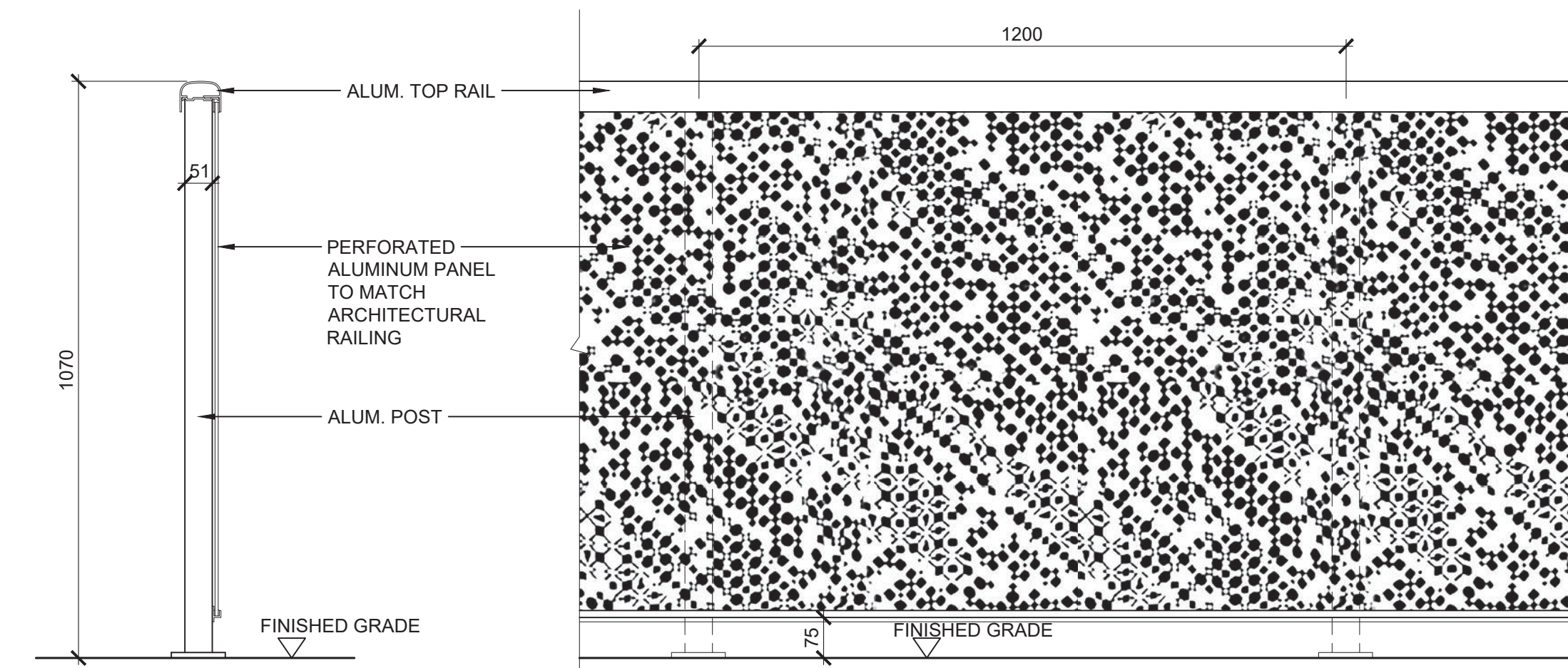
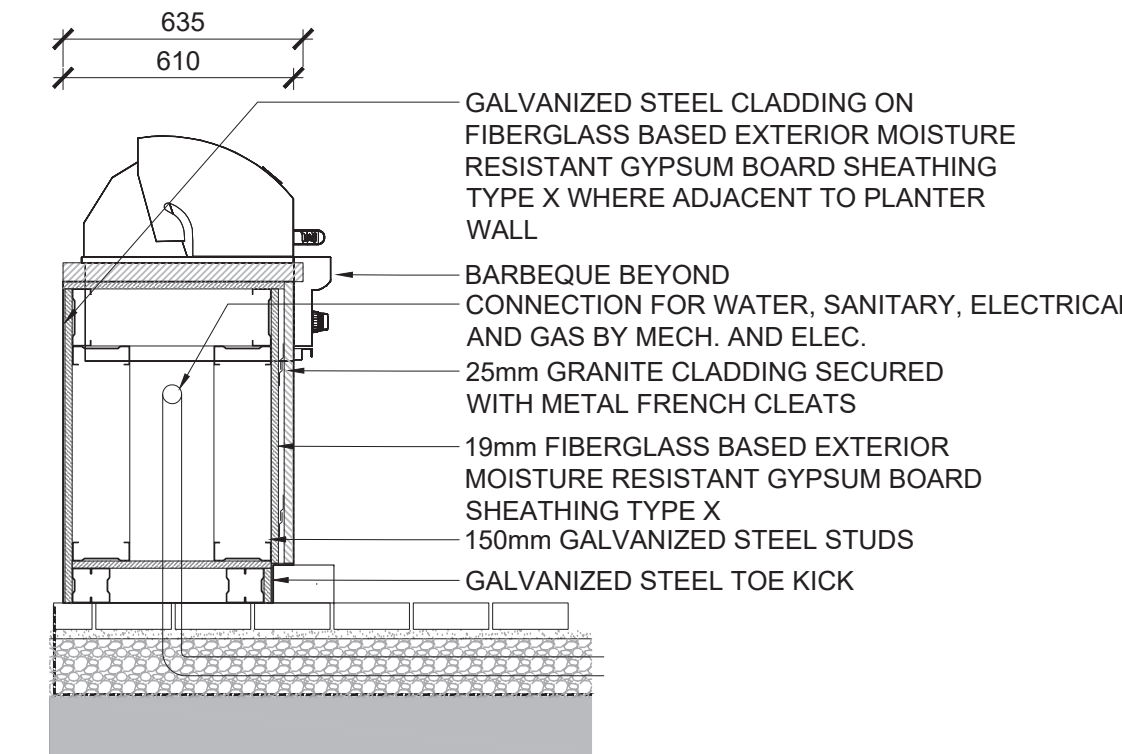


5 BICYCLE PARKING
 L903 NTS

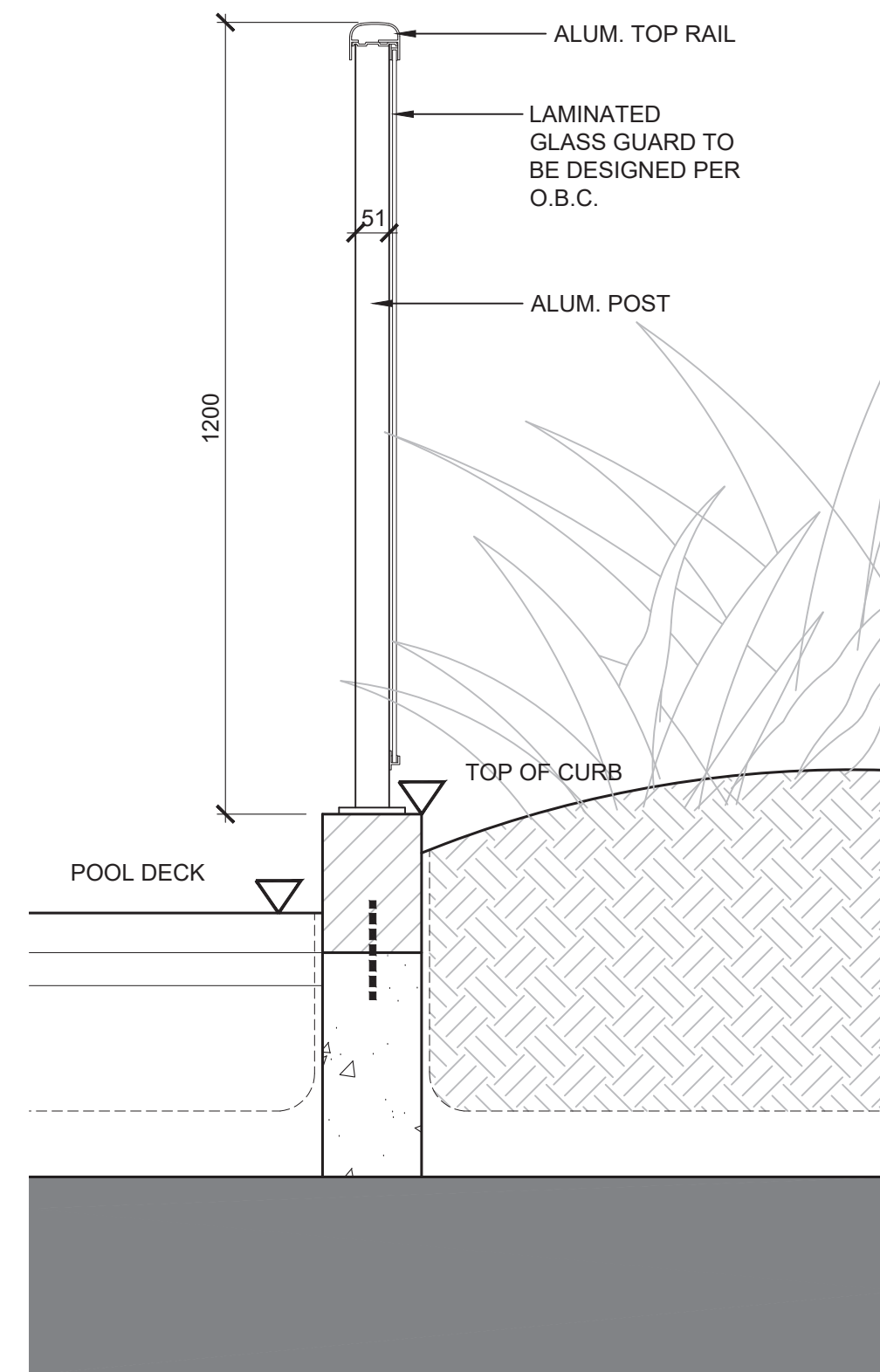
GENERAL NOTES:
 - CONTRACTOR TO PROVIDE SHOP DRAWINGS FOR REVIEW
 - PROVIDE CONNECTION FOR SANITARY, WATER, ELECTRICAL, AND GAS BY MECH. AND ELEC.



6 BARBEQUE ELEVATION TYP
 L903 NTS



7 DECORATIVE METAL RAILING ENCLOSURE
 L903 1:10



8 POOL DECK GLASS RAILING
 L903 1:10

FOR REC
 219 Dufferin Street Suite 100C
 Toronto Ontario Canada M6K 3J1
 T 416 696 8686 F 416 696 8866
 www.forrec.com

- NOTES:
- ALL DRAWINGS AND SPECIFICATIONS ARE THE PROPERTY OF FORREC Ltd.
 - THE CONTRACTOR SHALL VERIFY ALL DIMENSIONS AND INFORMATION ON SITE AND REPORT ANY DISCREPANCIES TO THE CONSULTANT BEFORE PROCEEDING.
 - BASE INFORMATION BASED UPON TOPOGRAPHIC SURVEY DRAWING PROVIDED BY THE CLIENT AND FIELD DATA COLLECTED BY THE LANDSCAPE ARCHITECT ON SITE.
 - CONTRACTOR TO VERIFY LEGAL PROPERTY LINES AND UTILITIES IN FIELD PRIOR TO STARTING CONSTRUCTION.
 - CONTRACTOR TO LOCATE AND PROTECT ALL ABOVE AND BELOW GRADE UTILITIES PRIOR TO THE START OF CONSTRUCTION.
 - CONTRACTOR TO ACCURATELY SURVEY AND LAYOUT THE PROPOSED WORK FOR CONSTRUCTION. CONTRACTOR TO VERIFY GRADES, LINES, LEVELS, DIMENSIONS AND INTERIM CONDITIONS, AND REPORT ANY ERRORS, OMISSIONS, OR INCONSISTENCIES TO THE CONSULTANT BEFORE PROCEEDING WITH THE WORK.

NO.	DATE	DESCRIPTION
01	2021-12-06	Issued for SPA
02	2022-05-27	Re-Issued for SPA
03	2022-12-02	Re-Issued for SPA
04	2023-04-20	Re-Issued for SPA

CLIENT

NORTH ARROW

STAMP

PROJECT
**3020 PINE GLEN ROAD
 (2418 KHALSA GATE)**
 2418 KHALSA GATE, OAKVILLE
 DRAWING TITLE
LANDSCAPE DETAILS

DATE 2021-12-06	SCALE AS INDICATED
DRAWN BY AM	CHECKED BY ST
PROJECT NO. 21-150	
DRAWING NO.	

L903

NOTES:

- ALL DRAWINGS AND SPECIFICATIONS ARE THE PROPERTY OF FORREC LTD.
- THE CONTRACTOR SHALL VERIFY ALL DIMENSIONS AND INFORMATION ON SITE AND REPORT ANY DISCREPANCIES TO THE CONSULTANT BEFORE PROCEEDING.
- BASE INFORMATION BASED UPON TOPOGRAPHIC SURVEY DRAWING PROVIDED BY THE CLIENT AND FIELD DATA COLLECTED BY THE LANDSCAPE ARCHITECT ON SITE.
- CONTRACTOR TO VERIFY LEGAL PROPERTY LINES AND UTILITIES IN FIELD PRIOR TO STARTING CONSTRUCTION.
- CONTRACTOR TO LOCATE AND PROTECT ALL ABOVE AND BELOW GRADE UTILITIES PRIOR TO THE START OF CONSTRUCTION.
- CONTRACTOR TO ACCURATELY SURVEY AND LAYOUT THE PROPOSED WORK FOR CONSTRUCTION. CONTRACTOR TO VERIFY GRADES, LINES, LEVELS, DIMENSIONS AND INTERIM CONDITIONS, AND REPORT ANY ERRORS, OMISSIONS, OR INCONSISTENCIES TO THE CONSULTANT BEFORE PROCEEDING WITH THE WORK.

NO.	DATE	DESCRIPTION
01	2021-12-06	Issued for SPA
02	2022-05-27	Re-issued for SPA
03	2022-12-02	Re-issued for SPA
04	2023-04-20	Re-issued for SPA

CLIENT

NORTH ARROW

STAMP



PROJECT
**3020 PINE GLEN ROAD
 (2418 KHALSA GATE)**

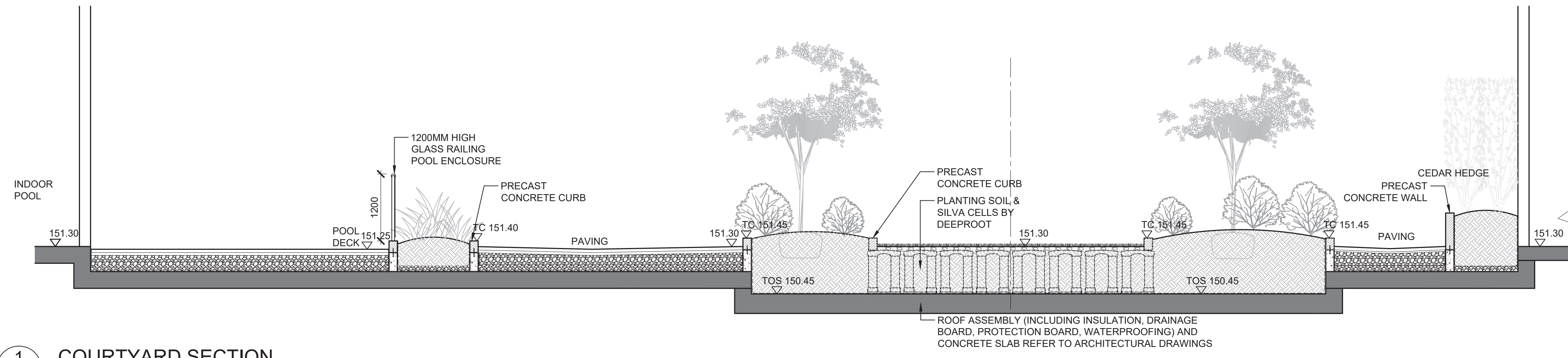
DRAWING TITLE
LANDSCAPE SECTIONS

2418 KHALSA GATE, OAKVILLE
 DRAWING TITLE

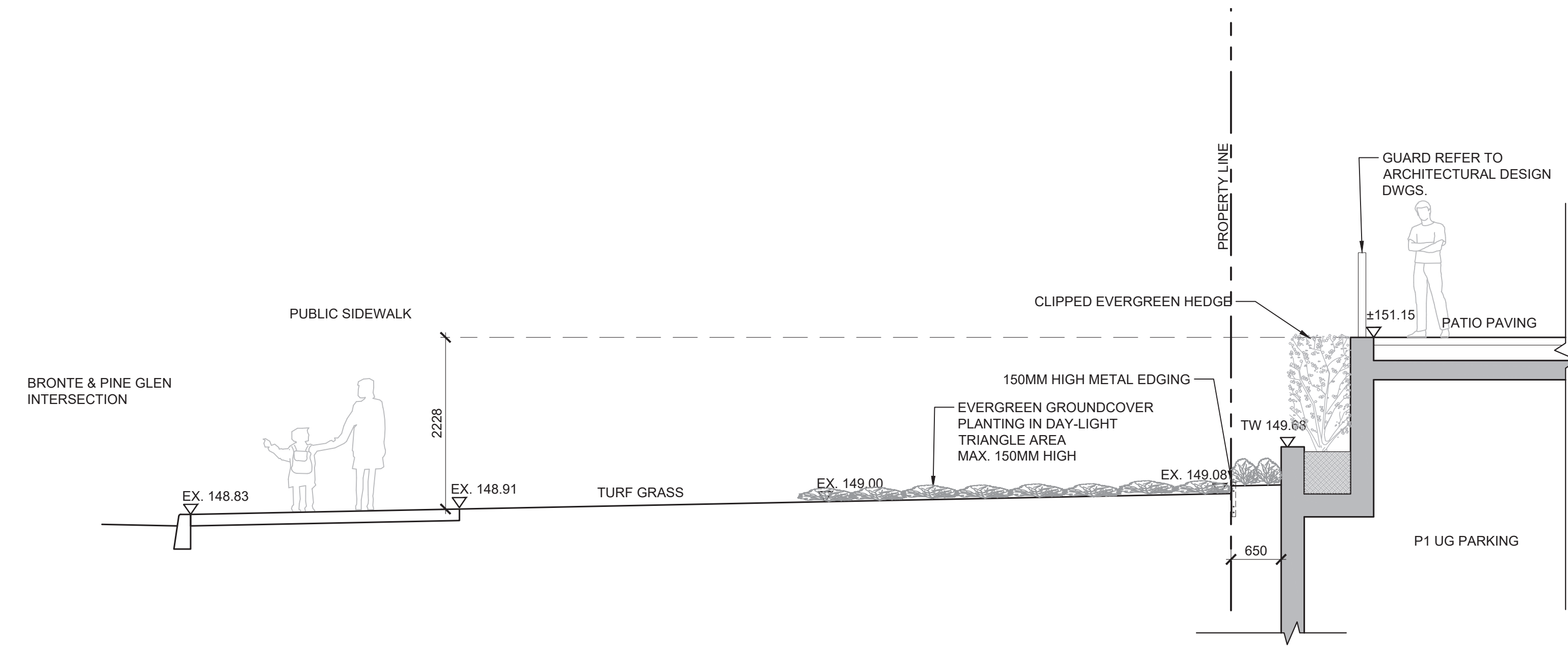
DATE 2021-12-06	SCALE AS INDICATED
DRAWN BY	CHECKED BY ST

PROJECT NO.
21-150
 DRAWING NO.

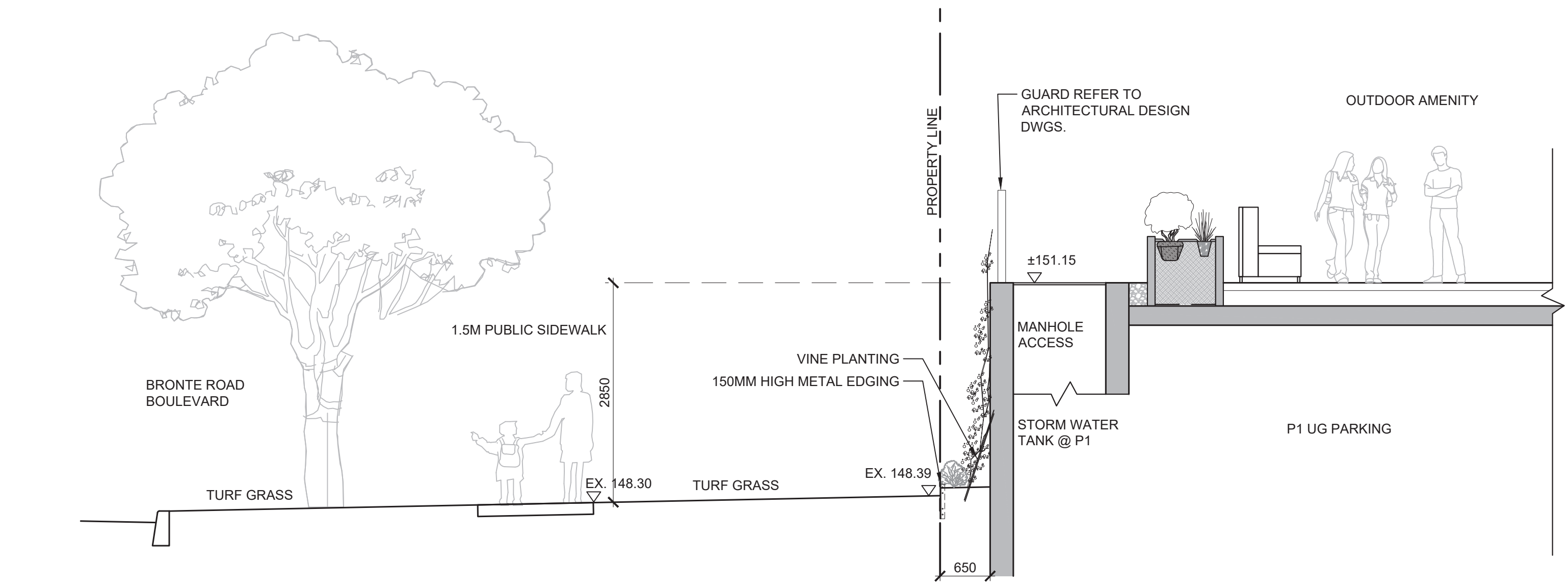
L904



1 COURTYARD SECTION
 L904 1:50



2 TERRACE WALKWAY SECTION
 L904 1:50



3 BRONTE ROAD - AMENITY AREA SECTION
 L904 1:50

NOTES:

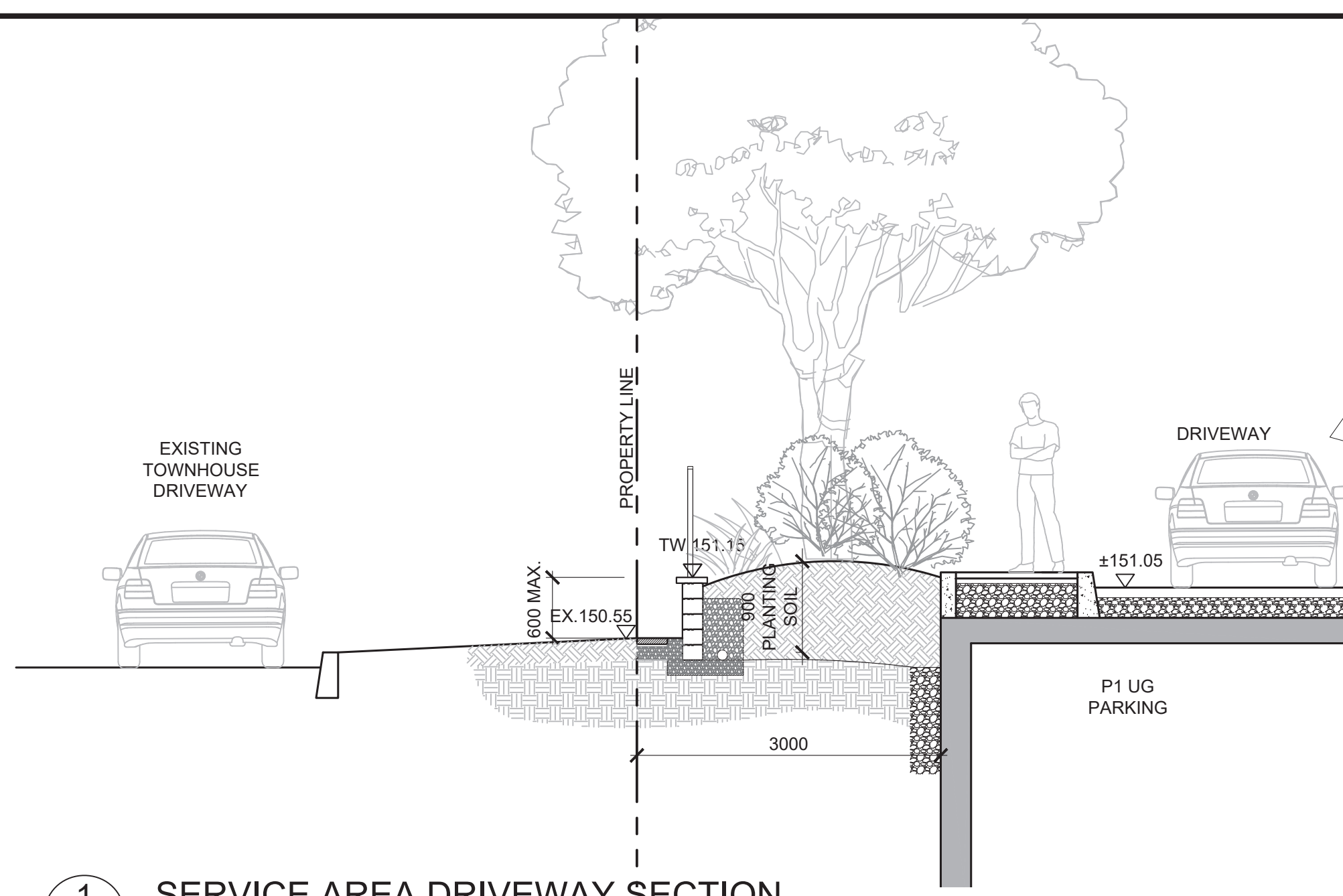
1. ALL DRAWINGS AND SPECIFICATIONS ARE THE PROPERTY OF FORREC LTD.
2. THE CONTRACTOR SHALL VERIFY ALL DIMENSIONS AND INFORMATION ON SITE AND REPORT ANY DISCREPANCIES TO THE CONSULTANT BEFORE PROCEEDING.
3. BASE INFORMATION BASED UPON TOPOGRAPHIC SURVEY DRAWING PROVIDED BY THE CLIENT AND FIELD DATA COLLECTED BY THE LANDSCAPE ARCHITECT ON SITE.
4. CONTRACTOR TO VERIFY LEGAL PROPERTY LINES AND UTILITIES IN FIELD PRIOR TO STARTING CONSTRUCTION.
5. CONTRACTOR TO LOCATE AND PROTECT ALL ABOVE AND BELOW GRADE UTILITIES PRIOR TO THE START OF CONSTRUCTION.
6. CONTRACTOR TO ACCURATELY SURVEY AND LAYOUT THE PROPOSED WORK FOR CONSTRUCTION. CONTRACTOR TO VERIFY GRADES, LINES, LEVELS, DIMENSIONS AND INTERIM CONDITIONS, AND REPORT ANY ERRORS, OMISSIONS, OR INCONSISTENCIES TO THE CONSULTANT BEFORE PROCEEDING WITH THE WORK.

NO.	DATE	DESCRIPTION
01	2021-12-06	Issued for SPA
02	2022-05-27	Re-Issued for SPA
03	2022-12-02	Re-Issued for SPA
04	2023-04-20	Re-Issued for SPA

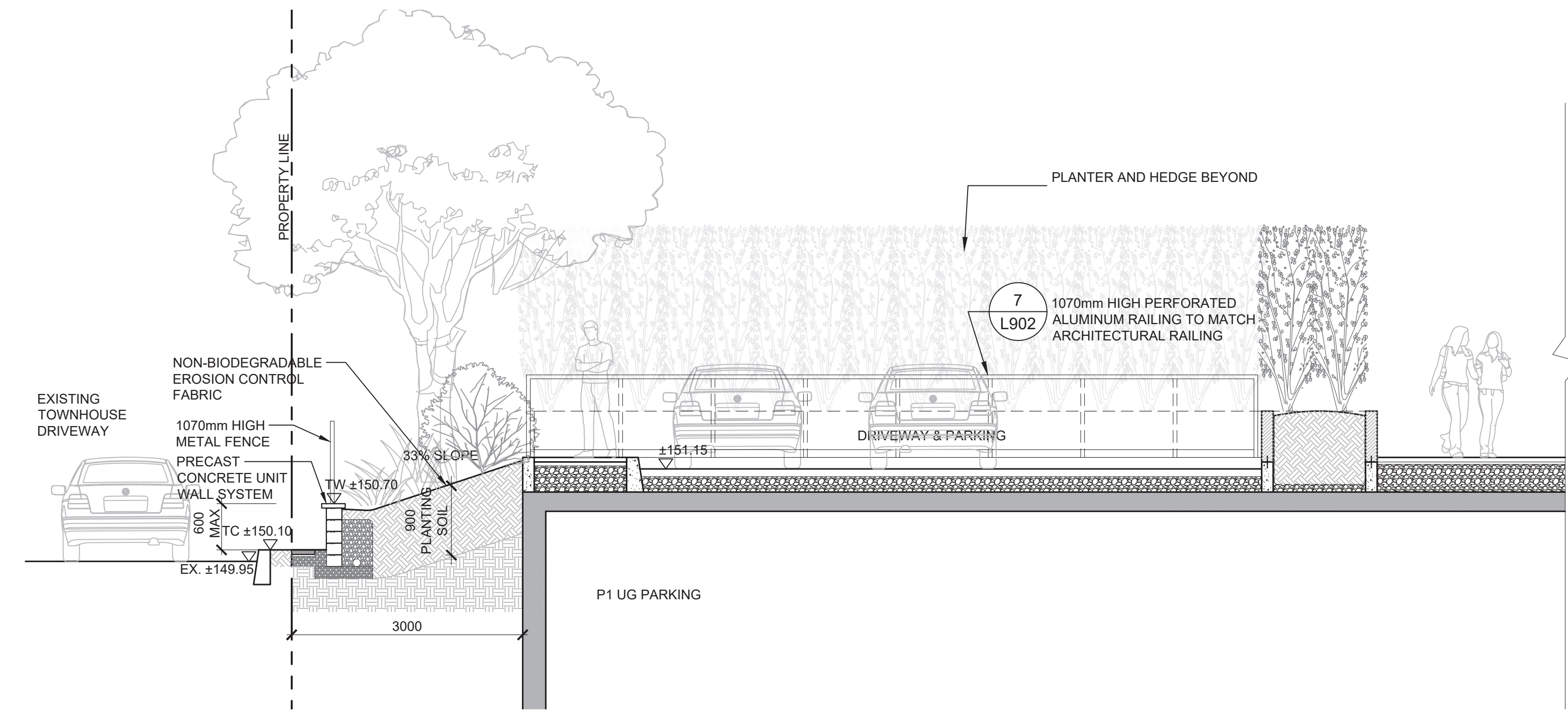
CLIENT

NORTH ARROW

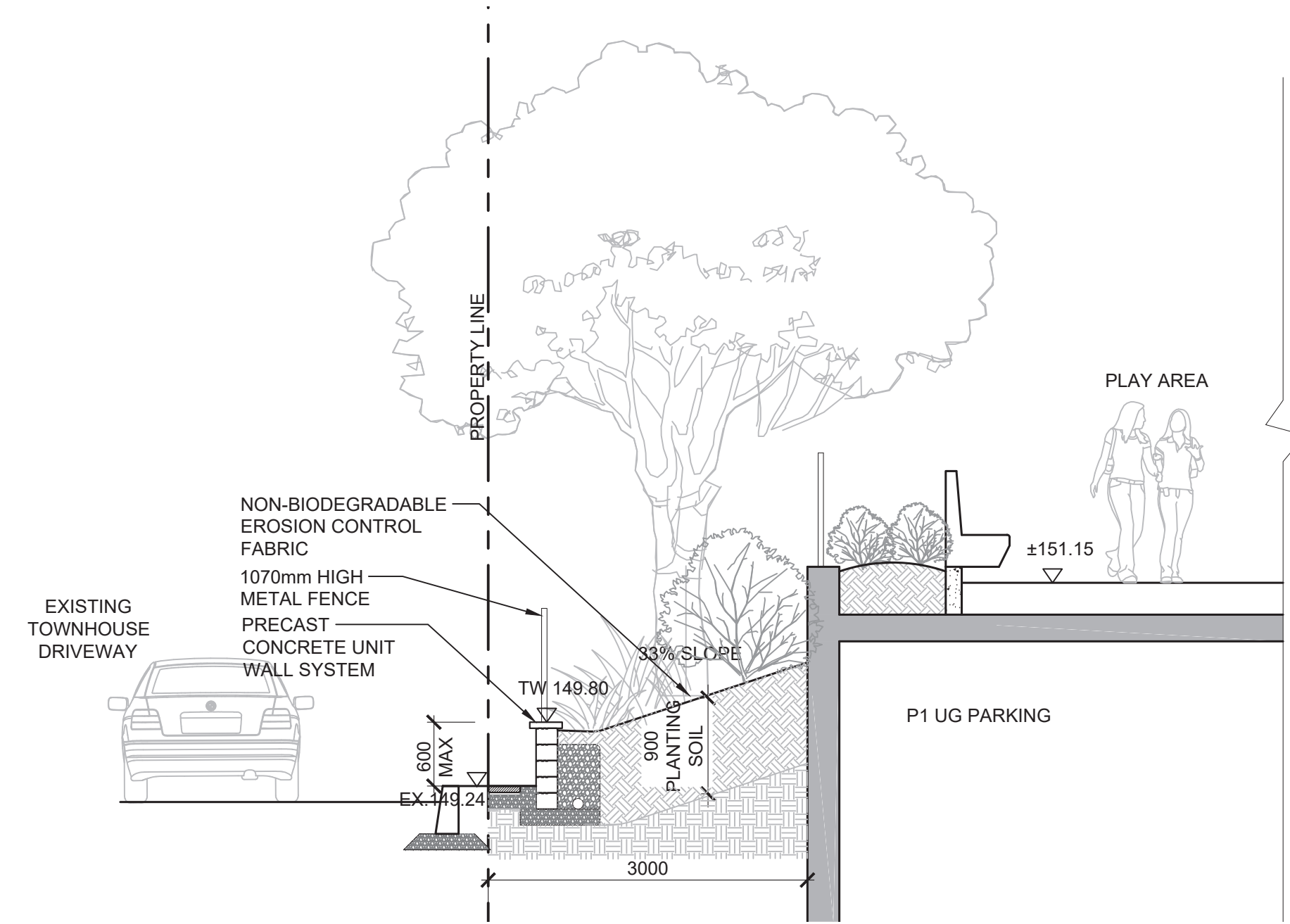
STAMP



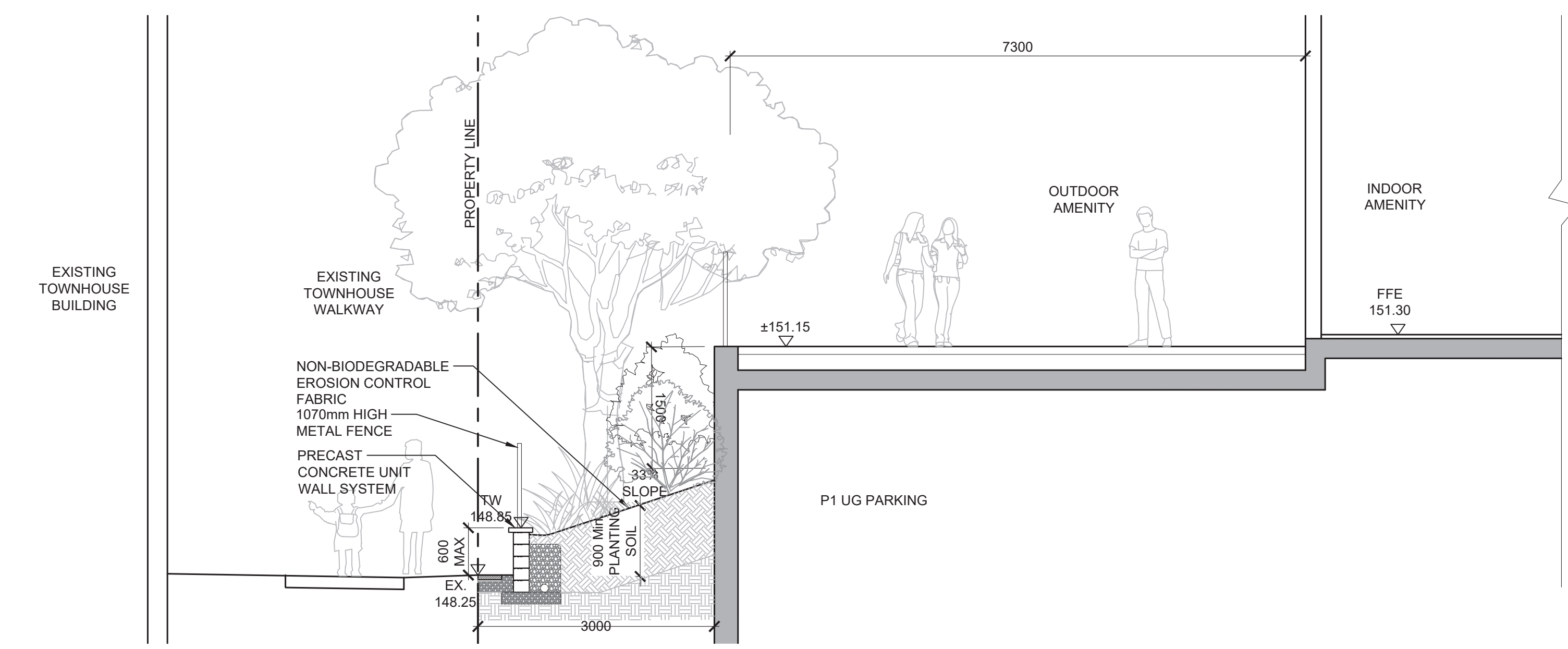
1 SERVICE AREA DRIVEWAY SECTION
 L905 1:50



2 SERVICE AREA DRIVEWAY SECTION
 L905 1:50



3 SECTION THROUGH PLAY AREA
 L905 1:50



4 SECTION THROUGH AMENITY
 L905 1:50

PROJECT
**3020 PINE GLEN ROAD
 (2418 KHALSA GATE)**
 2418 KHALSA GATE, OAKVILLE
 DRAWING TITLE
LANDSCAPE SECTIONS

DATE	2021-12-06	SCALE	AS INDICATED
DRAWN BY		CHECKED BY	ST

PROJECT NO.
 21-150
 DRAWING NO.

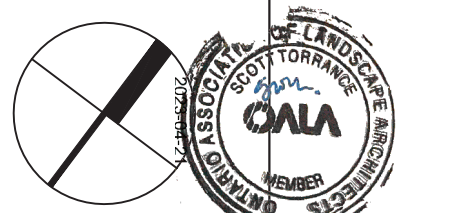
NOTES:

1. ALL DRAWINGS AND SPECIFICATIONS ARE THE PROPERTY OF FORREC LTD.
2. THE CONTRACTOR SHALL VERIFY ALL DIMENSIONS AND INFORMATION ON SITE AND REPORT ANY DISCREPANCIES TO THE CONSULTANT BEFORE PROCEEDING.
3. BASE INFORMATION BASED UPON TOPOGRAPHIC SURVEY DRAWING PROVIDED BY THE CLIENT AND FIELD DATA COLLECTED BY THE LANDSCAPE ARCHITECT ON SITE.
4. CONTRACTOR TO VERIFY LEGAL PROPERTY LINES AND UTILITIES IN FIELD PRIOR TO STARTING CONSTRUCTION.
5. CONTRACTOR TO LOCATE AND PROTECT ALL ABOVE AND BELOW GRADE UTILITIES PRIOR TO THE START OF CONSTRUCTION.
6. CONTRACTOR TO ACCURATELY SURVEY AND LAYOUT THE PROPOSED WORK FOR CONSTRUCTION. CONTRACTOR TO VERIFY GRADES, LINES, LEVELS, DIMENSIONS AND INTERIM CONDITIONS, AND REPORT ANY ERRORS, OMISSIONS, OR INCONSISTENCIES TO THE CONSULTANT BEFORE PROCEEDING WITH THE WORK.

NO.	DATE	DESCRIPTION
01	2022-05-27	Re-issued for SPA
02	2022-12-02	Re-issued for SPA

CLIENT

NORTH ARROW



STAMP

PROJECT
3020 PINE GLEN ROAD
(2418 KHALSA GATE)

2418 KHALSA GATE, OAKVILLE
DRAWING TITLE
PLAY EQUIPMENT

DATE	SCALE
2021-12-06	AS SHOWN
DRAWN BY AM	CHECKED BY ST

PROJECT NO.
21-150
DRAWING NO.

L911

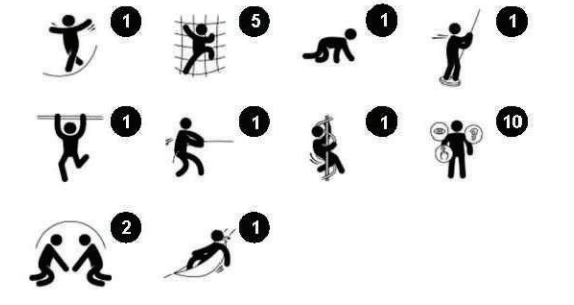
Sirius II

GXY965



Item no. GXY965012-3717

General Product Information	
Dimensions LxWxH	11'11" x 18'1" x 10'3"
Age group	5 - 12
Play capacity (users)	10
Color options	(Color swatches)



Data is subject to change without prior notice.

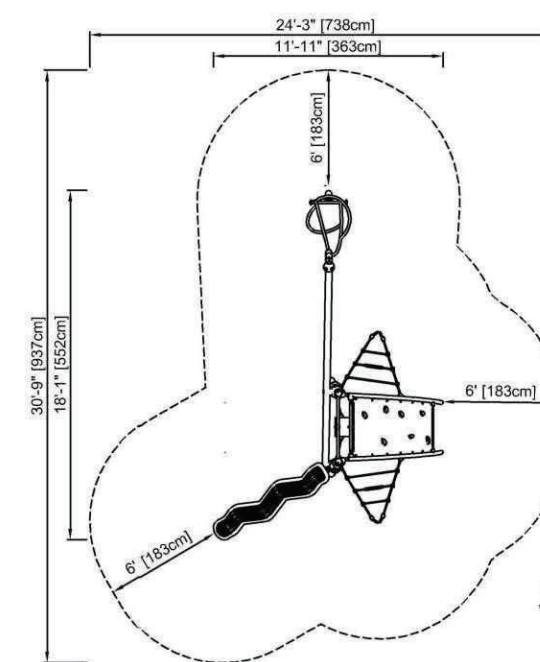


1 / 31 / 2022

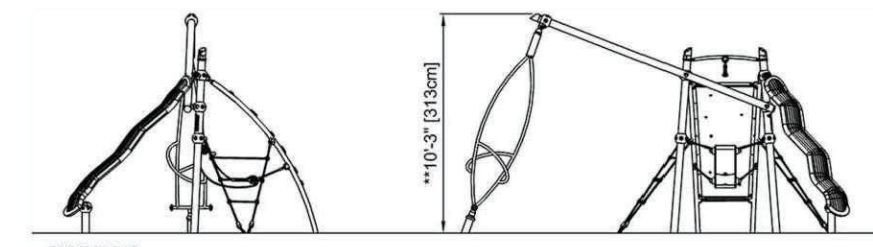
Sirius II

GXY965

* Max fall height ** Total height *** Safety surfacing area	* Max fall height ** Total height
---	-------------------------------------



GXY965012
** 37' / 252cm
** 18'0\"/>



GXY965012
1:100



Play Panel 3 - Learning, Classic

PCM003321

* Max fall height ** Total height *** Safety surfacing area	* Max fall height ** Total height
---	-------------------------------------

1 PLAY AREA LAYOUT PLAN

L911 1:50

AGE GROUP : 6M TO 12 YEARS OLD
TOTAL PLAY CAPACITY : 25

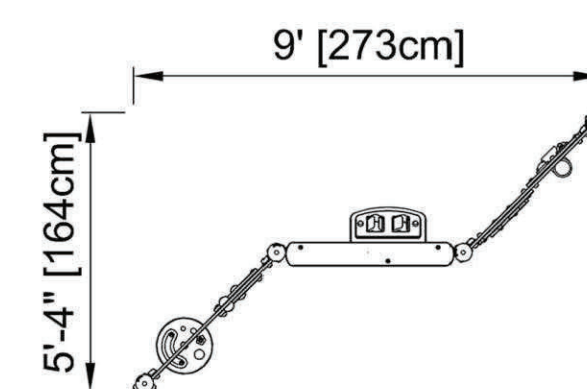
Play Panel 3 - Learning, Classic

PCM003321



Item no. PCM003321-0901

General Product Information	
Dimensions LxWxH	8'11" x 5'5" x 2'6"
Age group	6m - 5
Play capacity (users)	10
Color options	(Color swatches)



PCM003321
** 2'-6" / 75cm

The Learning Play Panel 3 is immensely intriguing for children thanks to the richly varied tactile details. The low bench counter in the middle invites meetings and sharing and makes a great point for playing works hop, a playground favorite. On one side of the bench, gearing wheels and a funnel stimulate children's logical thinking skills. The wheels will

turn each other, and the funnel will transport materials through. To young children, this trains their understanding of object permanence that items can appear out of sight but still be there. The play panels can be played from both sides, which invites social play and communication.



Data is subject to change without prior notice.

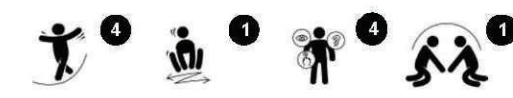
1 / 31 / 2022

Daisy
M128



KOMPAN!
Let's play

Item no. M12870-D1P	
General Product Information	
Dimensions LxWxH	3'3"x3'3"x2'0"
Age group	2 - 5
Play capacity (users)	4
Color options	



Data is subject to change without prior notice.

WOW it's play for toddlers. The youngest get thrilled by the social and physical potential of the Crazy Daisy: 1, 2, 3 or 4 children can see-saw, play and cooperate. This makes this a highly versatile play unit, taking up little space and appealing to toddlers again and again. Apart from being great play, the Crazy Daisy support fundamental areas of child

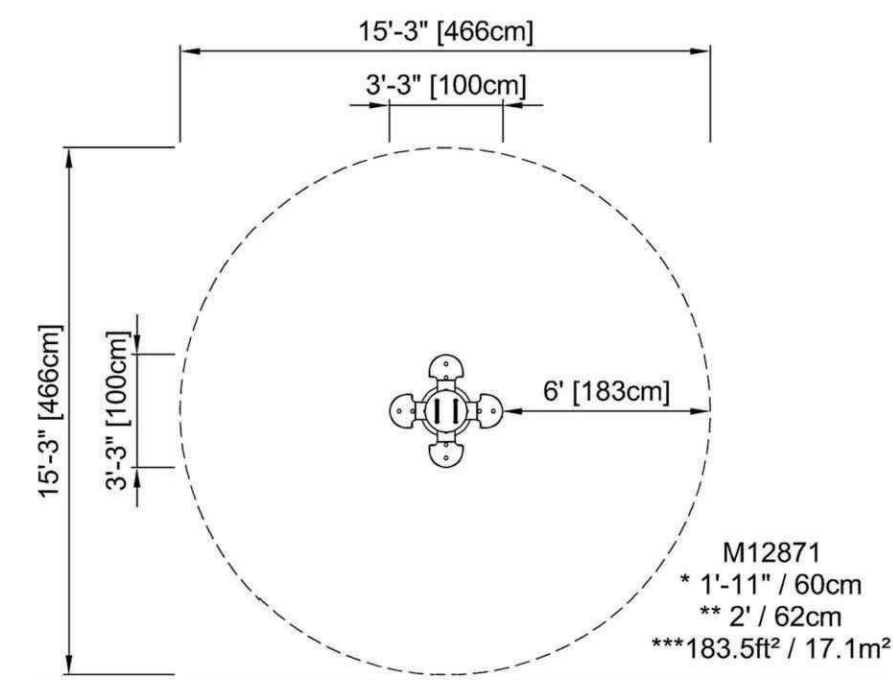
development and learning through play. Important motor skills such as balance and proprioception get trained when children rock, pushing their feet and pulling their arms. These are fundamental to life skills such as for instance managing traffic securely. While rocking together, toddlers additionally train important social-emotional skills such as

cooperation. The logic of movements sequence trains the child's thinking skills. The Crazy Daisy is true playful learning.

1 / 3 / 17 / 2022

Daisy
M128

* Max fall height | ** Total height | *** Safety surfacing area

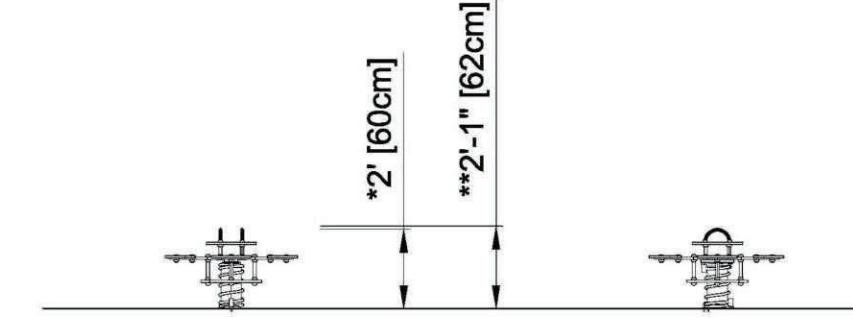


[Click to see 1:100 ratio TOP VIEW](#)

5 / 3 / 17 / 2022

KOMPAN!
Let's play

* Max fall height | ** Total height



M12871
1:100

[Click to see 1:100 ratio SIDE VIEW](#)

Data is subject to change without prior notice.

Racer
ELE400002



KOMPAN!
Let's play

Item no. ELE400002-01E	
General Product Information	
Dimensions LxWxH	2'4"x1'2"x2'3"
Age group	2 - 5
Play capacity (users)	1
Color options	



Data is subject to change without prior notice.

The Racer with its whimsical rodeo look attracts toddlers for a ride again and again. Apart from its appealing shapes, the Racer offers tactile variation with its rubber hand holds and smooth body. Tactile richness is a main motivator, especially in younger children. It supports their understanding of material characteristics such as weight, smoothness, temperature and

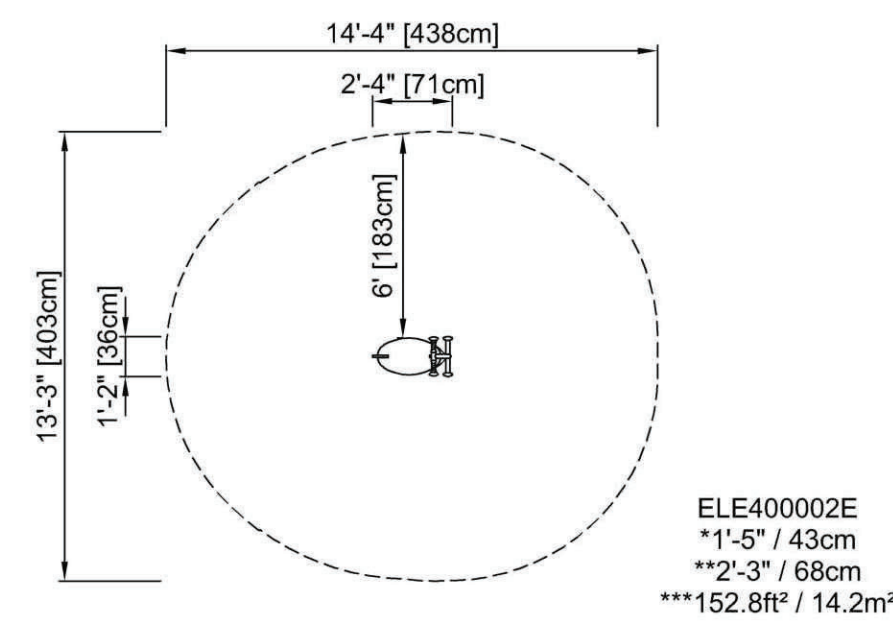
flexibility. The slightly sloped seat provides a seating destination that ensures hours, years and decades of fun. The soothing, rocking movement of the Racer trains the sense of balance and the spatial awareness. These are both crucial for body confidence, e.g. fall prevention. A well developed sense of balance is fundamental for the ability to sit still and

concentrate. The Racer offers children more than a mere fun ride.

1 / 2 / 24 / 2022

Racer
ELE400002

* Max fall height | ** Total height | *** Safety surfacing area

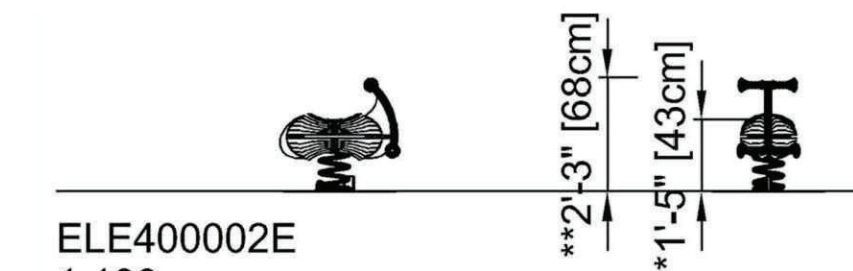


[Click to see 1:100 ratio TOP VIEW](#)

5 / 2 / 24 / 2022

KOMPAN!
Let's play

* Max fall height | ** Total height



ELE400002E
1:100

[Click to see 1:100 ratio SIDE VIEW](#)

Data is subject to change without prior notice.

FOR REC

219 Dufferin Street Suite 100C
Toronto Ontario Canada M6K 3J1
T 416 696 8866 F 416 696 8866
www.forrec.com

NOTES:

- ALL DRAWINGS AND SPECIFICATIONS ARE THE PROPERTY OF FORREC LTD.
- THE CONTRACTOR SHALL VERIFY ALL DIMENSIONS AND INFORMATION ON SITE AND REPORT ANY DISCREPANCIES TO THE CONSULTANT BEFORE PROCEEDING.
- BASE INFORMATION BASED UPON TOPOGRAPHIC SURVEY DRAWING PROVIDED BY THE CLIENT AND FIELD DATA COLLECTED BY THE LANDSCAPE ARCHITECT ON SITE.
- CONTRACTOR TO VERIFY LEGAL PROPERTY LINES AND UTILITIES IN FIELD PRIOR TO STARTING CONSTRUCTION.
- CONTRACTOR TO LOCATE AND PROTECT ALL ABOVE AND BELOW GRADE UTILITIES PRIOR TO THE START OF CONSTRUCTION.
- CONTRACTOR TO ACCURATELY SURVEY AND LAYOUT THE PROPOSED WORK FOR CONSTRUCTION. CONTRACTOR TO VERIFY GRADES, LINES, LEVELS, DIMENSIONS AND INTERIM CONDITIONS, AND REPORT ANY ERRORS, OMISSIONS, OR INCONSISTENCIES TO THE CONSULTANT BEFORE PROCEEDING WITH THE WORK.

NO.	DATE	DESCRIPTION
01	2022-05-27	Re-Issued for SPA
02	2022-12-02	Re-Issued for SPA

CLIENT

NORTH ARROW

STAMP



PROJECT
3020 PINE GLEN ROAD
(2418 KHALSA GATE)

DRAWING TITLE
PLAY EQUIPMENT

2418 KHALSA GATE, OAKVILLE
DRAWING TITLE

DATE	2021-12-06	SCALE	AS SHOWN
DRAWN BY	AM	CHECKED BY	ST

PROJECT NO.	21-150
DRAWING NO.	L911

L911