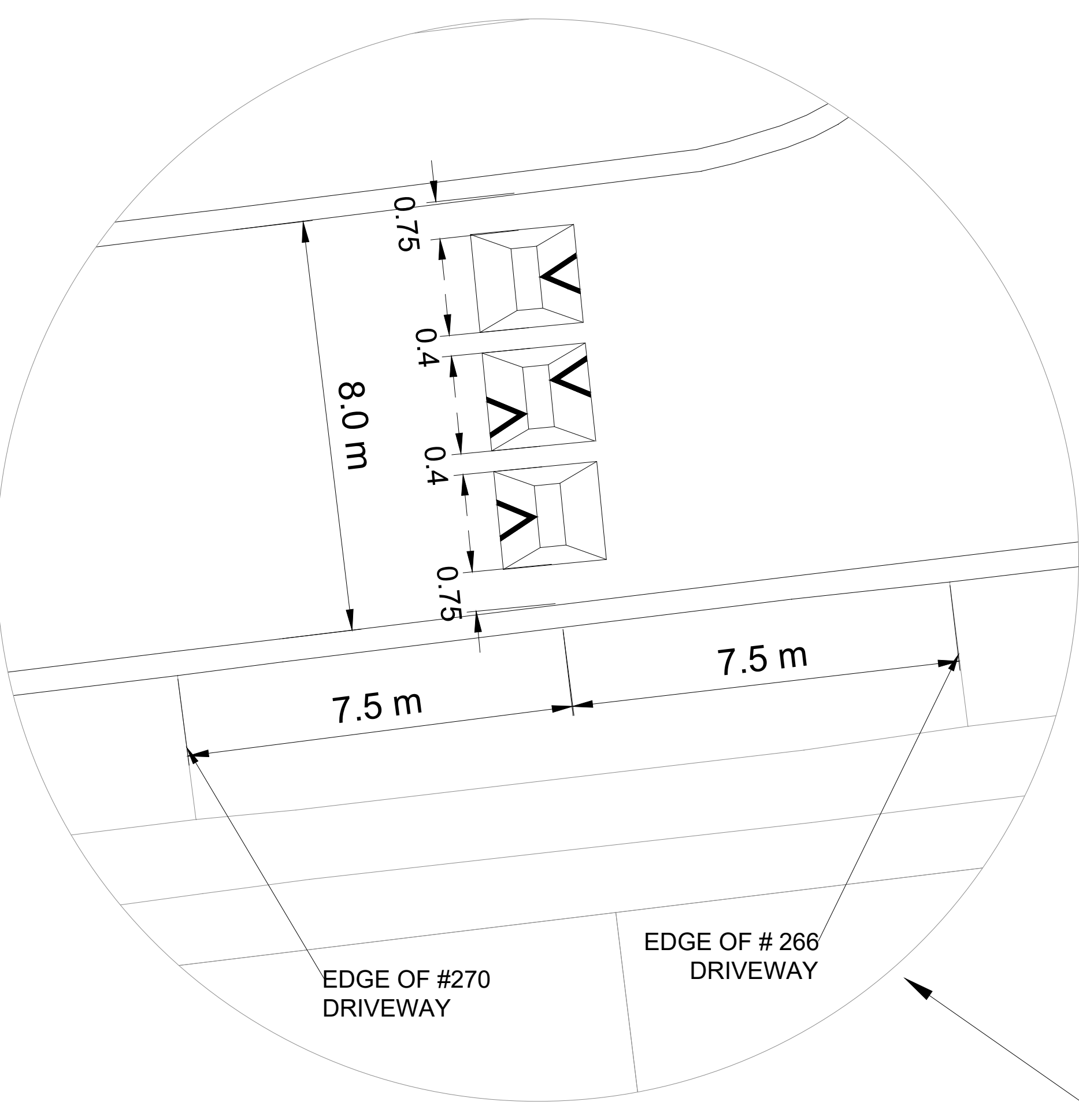
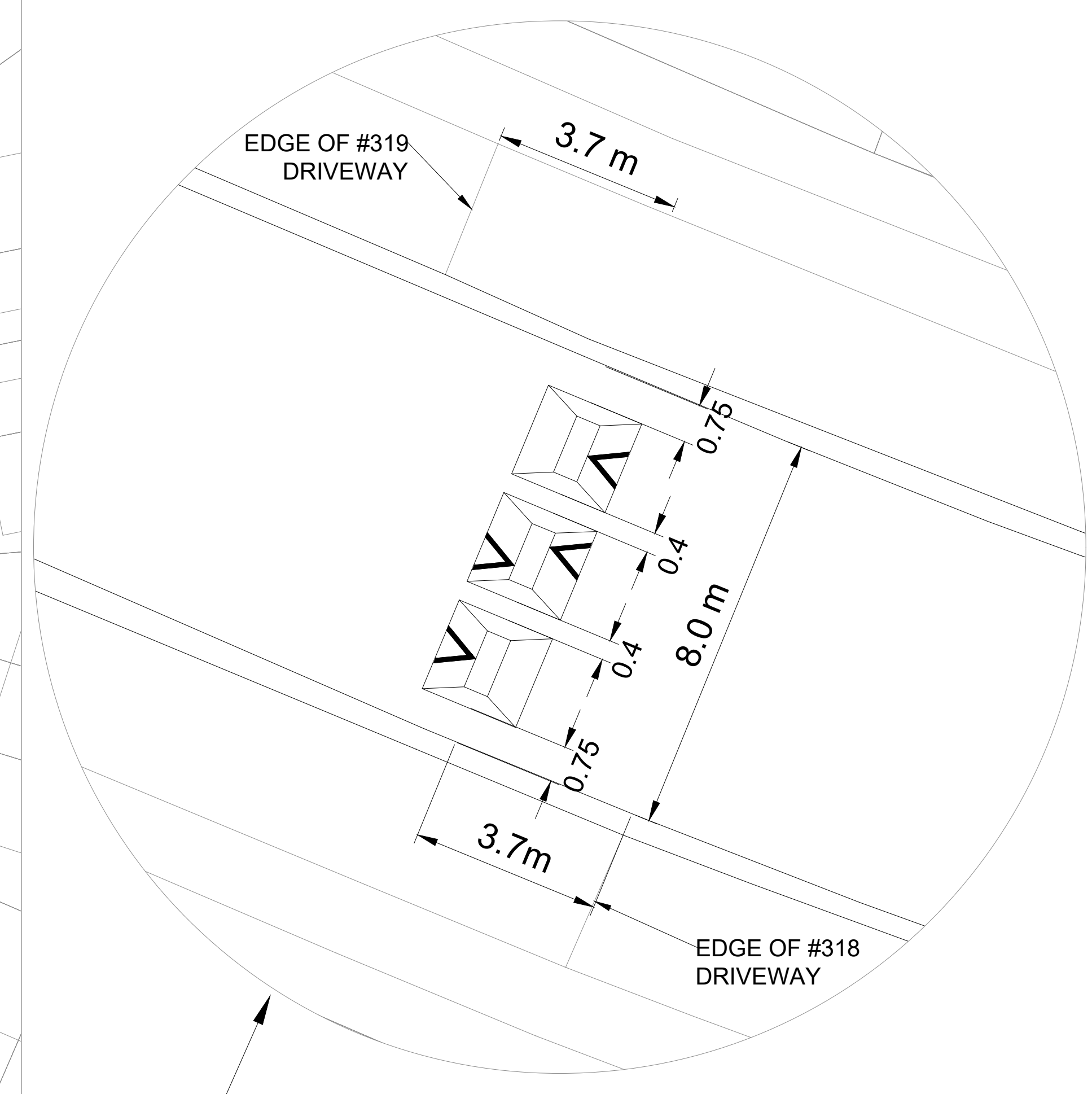
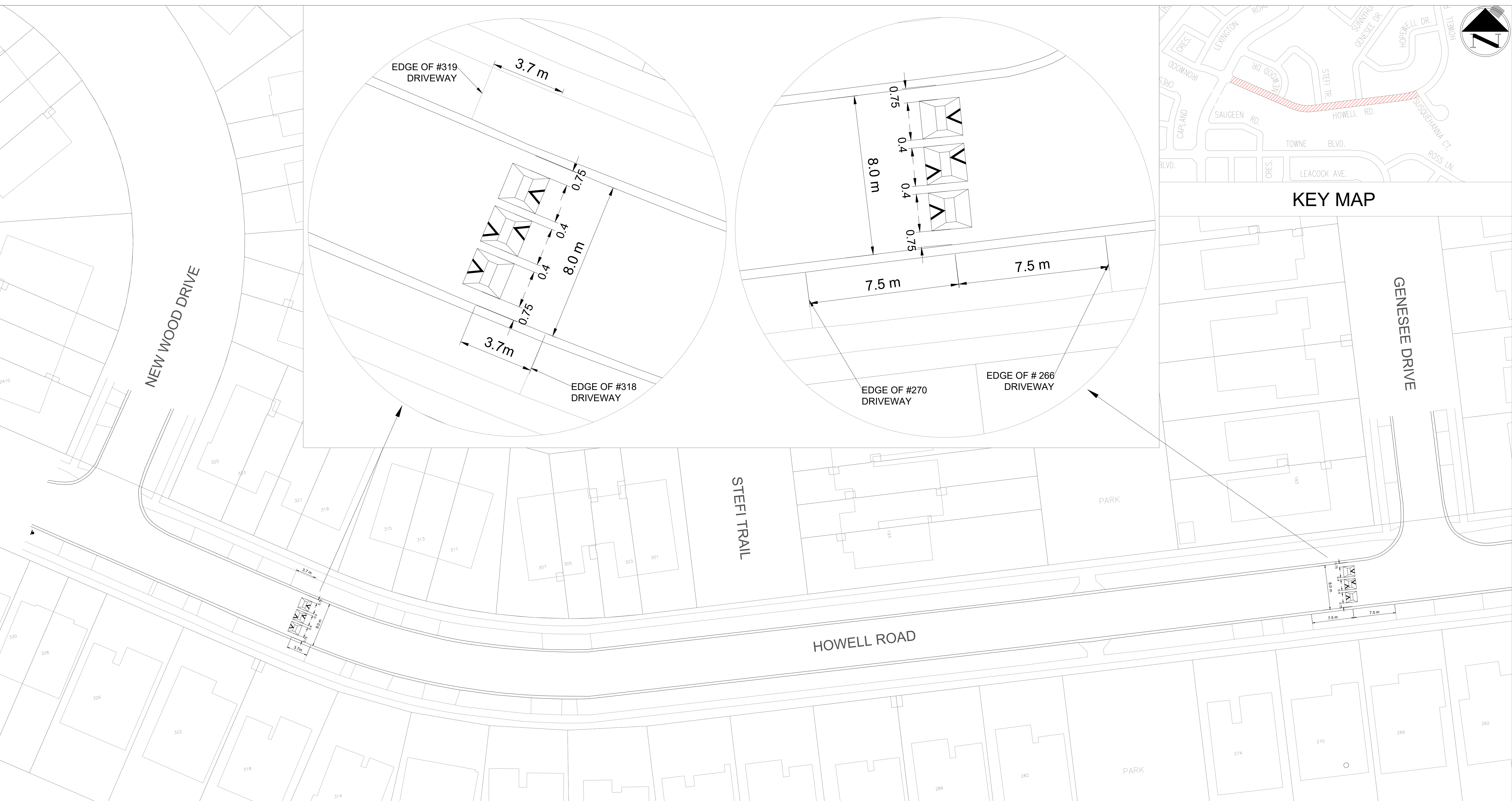
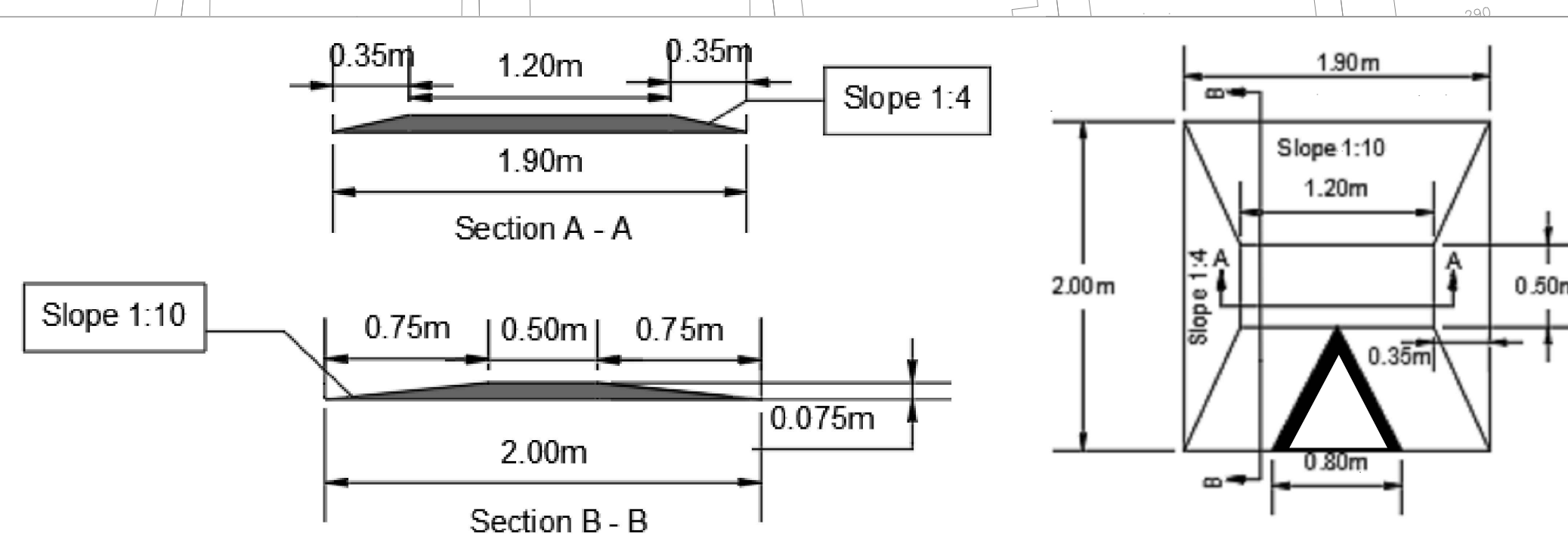


KEY MAP




NOTES

- 1) DRAWING SCALE IS 1:300, SPEED CUSHION DETAILS SHOWN IN CIRCULAR VIEWS AND KEY MAP ARE NOT TO SCALE.
- 2) PRECISE LOCATION OF PROPOSED INFRASTRUCTURE TO BE DETERMINED AT CONSTRUCTION STAGE.



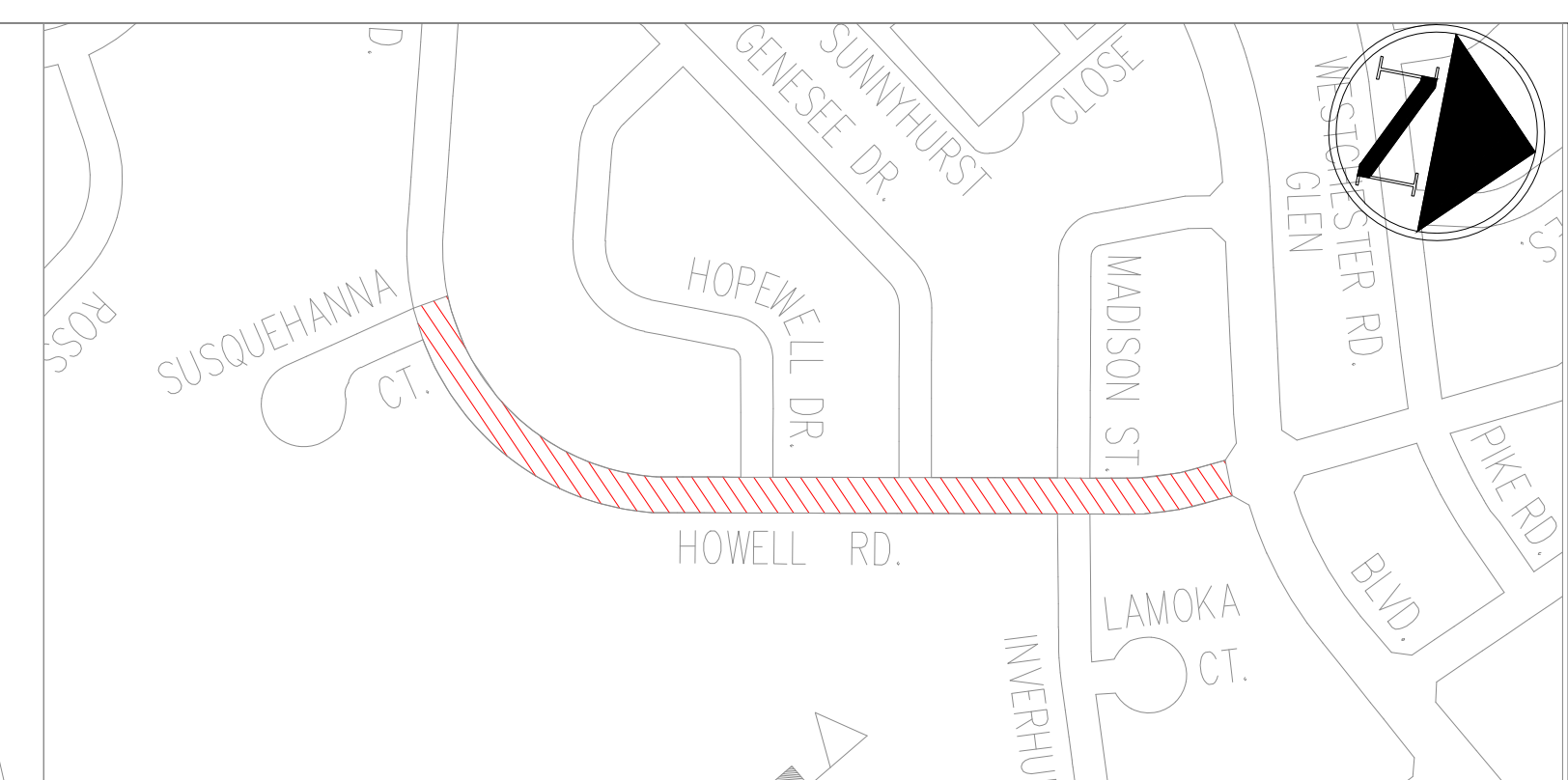
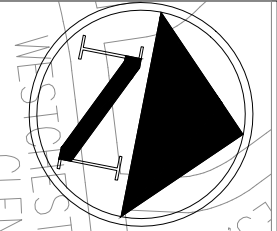
Legend: N/a

SCALE: 1:300
REVISION: 2
DRAWN BY: RC
CHECKED BY: DC
DATE: MAR 12, 2026
ISSUE FOR TENDER
DATE: N/a
ISSUE FOR CONSTRUCTION
DATE: N/a

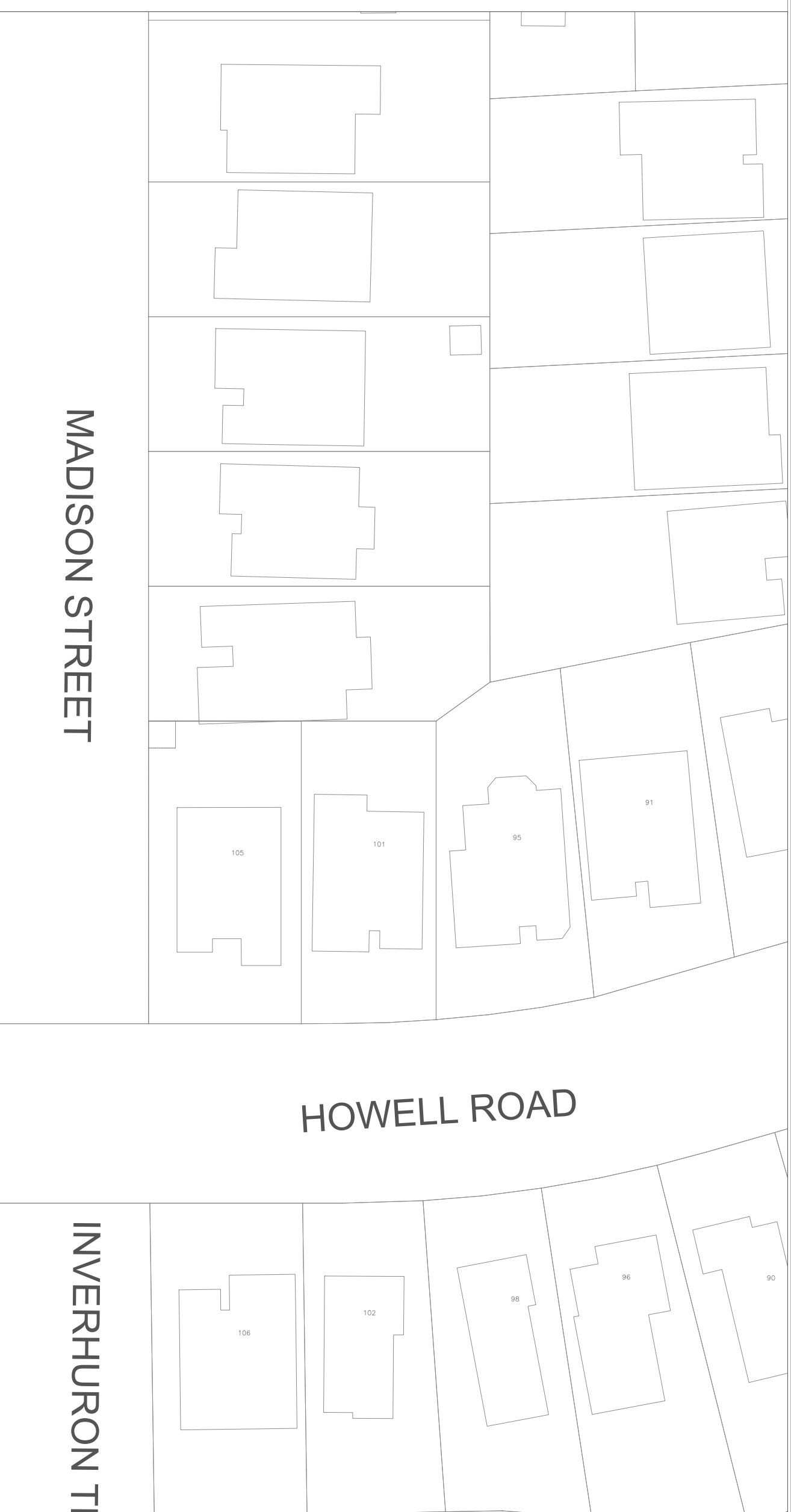
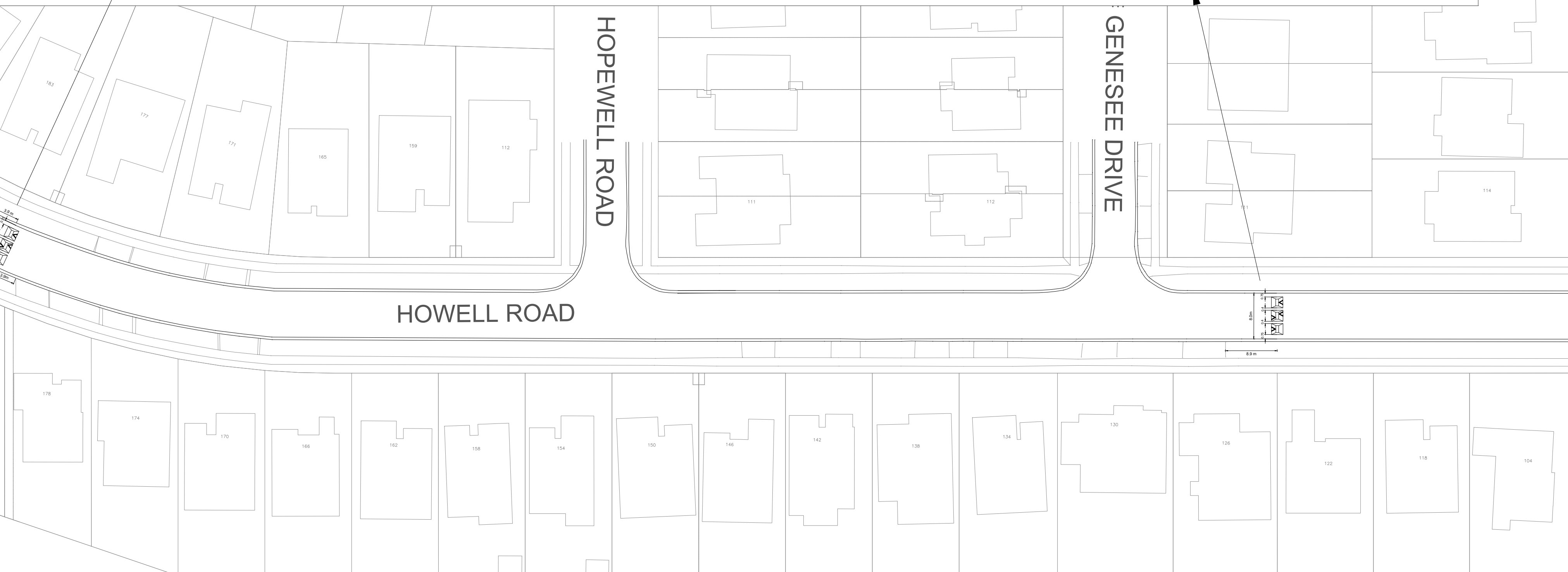
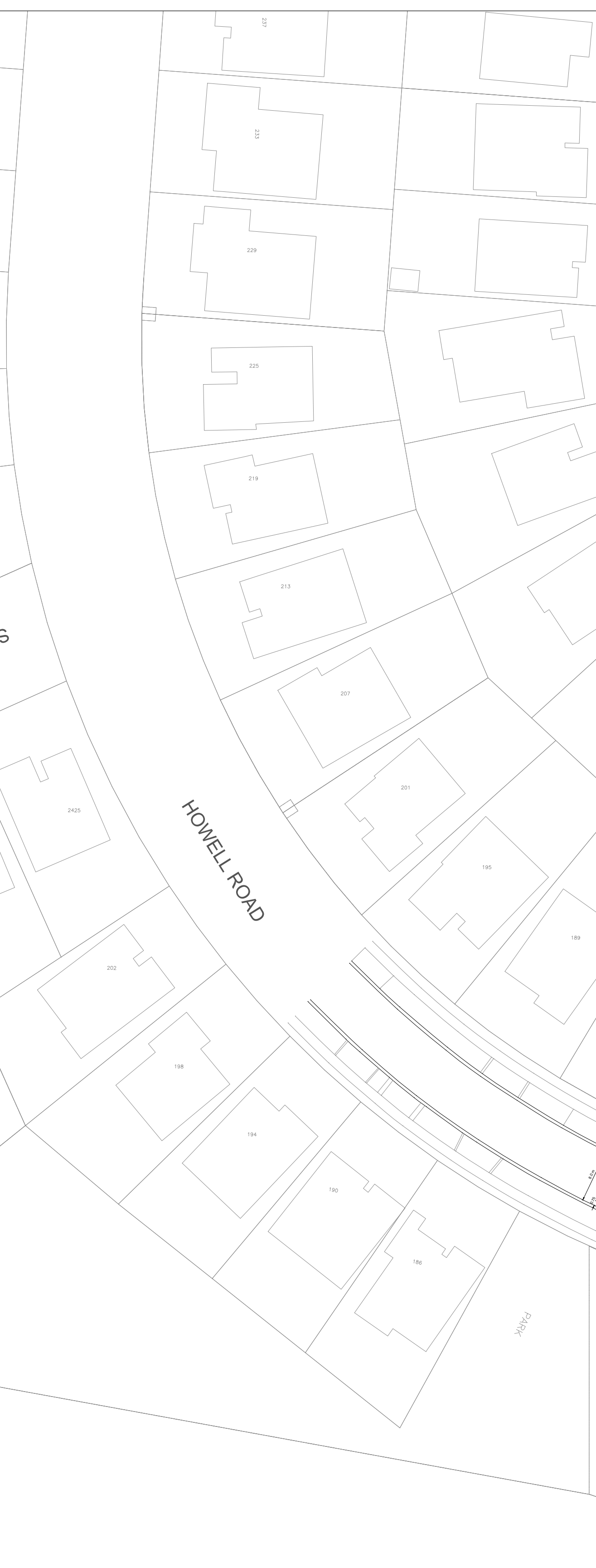
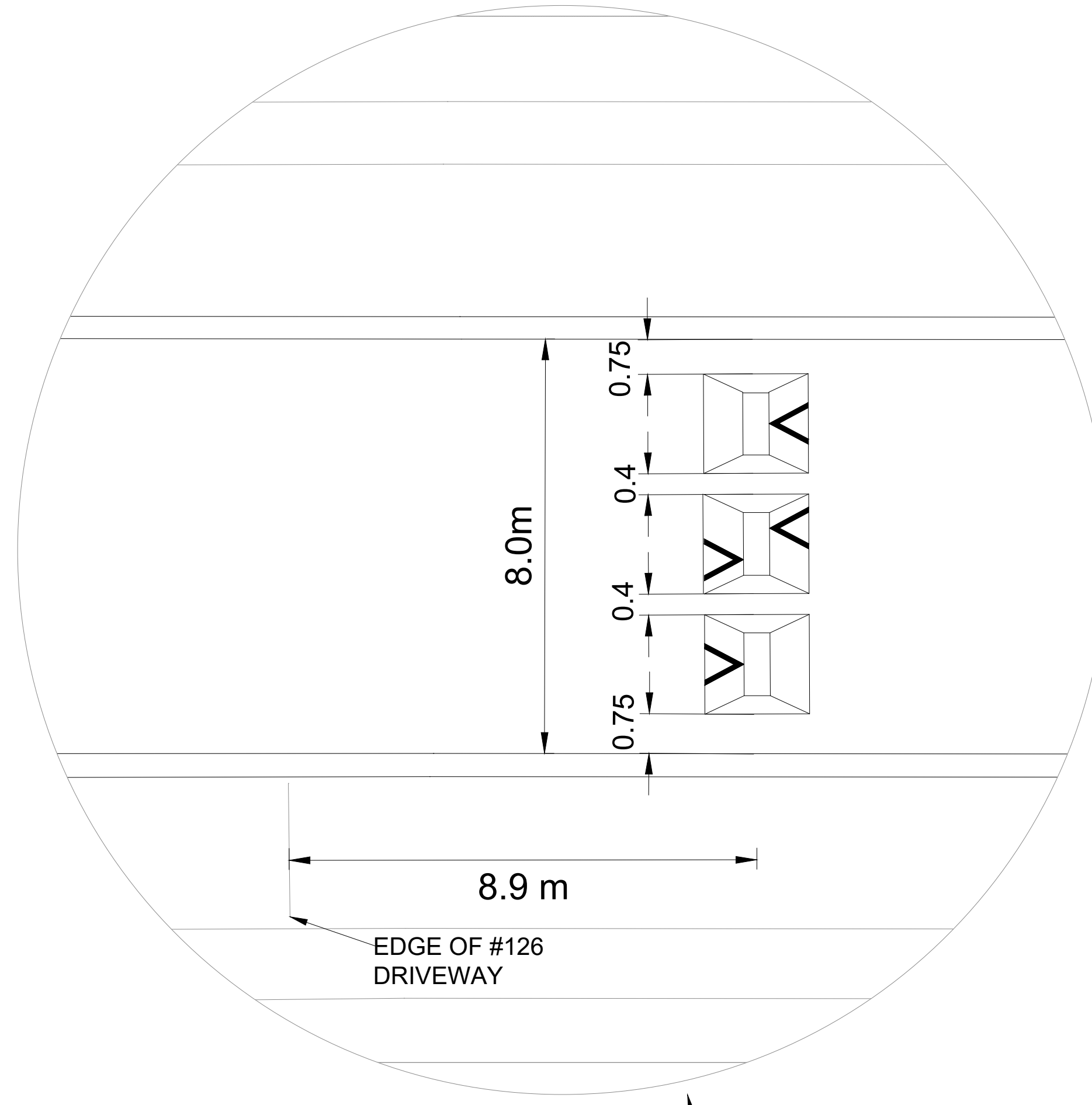
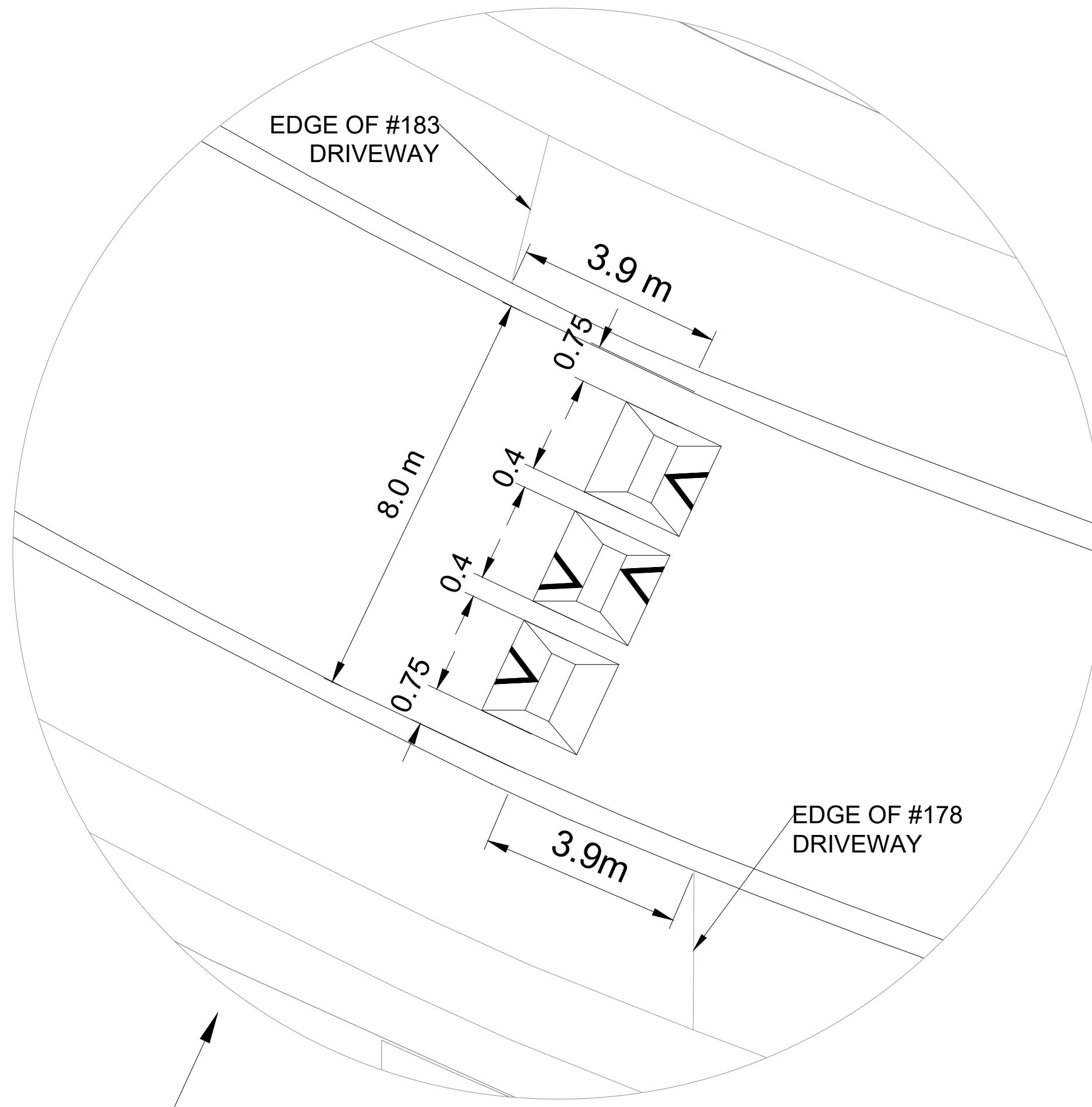


OAKVILLE
Traffic Calming Design
 Howell Road
 River Glen Boulevard to River Glen Boulevard
 Transportation and Engineering Department

Contract No. _____ Drawing No. Sheet 1 of 2

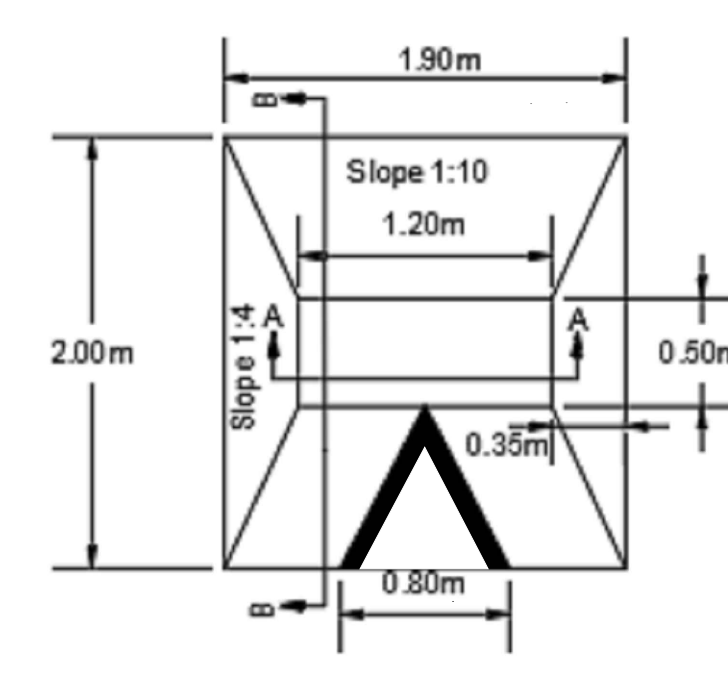
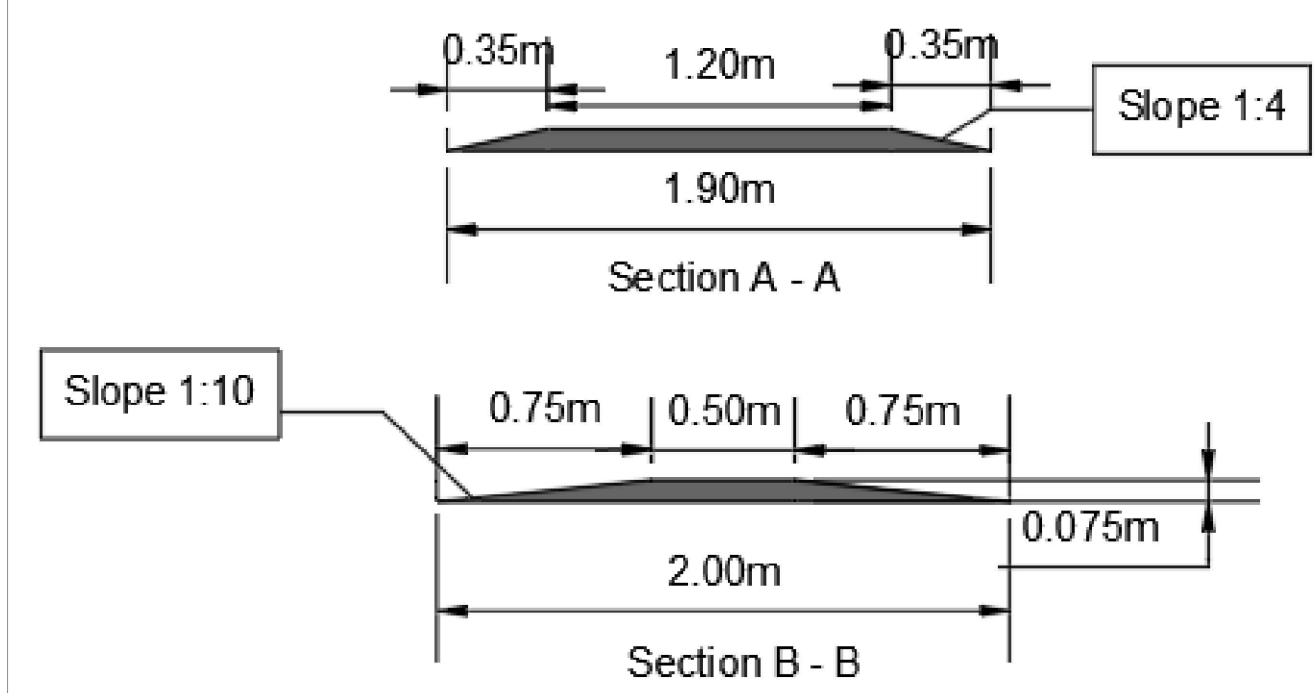


KEY MAP



NOTES

- 1) DRAWING SCALE IS 1:500, SPEED CUSHION DETAILS SHOWN IN CIRCULAR VIEWS AND KEY MAP ARE NOT TO SCALE.
- 2) PRECISE LOCATION OF PROPOSED INFRASTRUCTURE TO BE DETERMINED AT CONSTRUCTION STAGE.



Legend: N/a

SCALE: 1:500
REVISION: 2
DRAWN BY: RC
CHECKED BY: DC
DATE: MAR 12, 2026
ISSUE FOR TENDER DATE: N/a
ISSUE FOR CONSTRUCTION DATE: N/a



OAKVILLE

Traffic Calming Design

Howell Road

River Glen Boulevard to River Glen Boulevard

Transportation and Engineering Department

Contract No.	Drawing No. Sheet 2 of 2
--------------	--------------------------