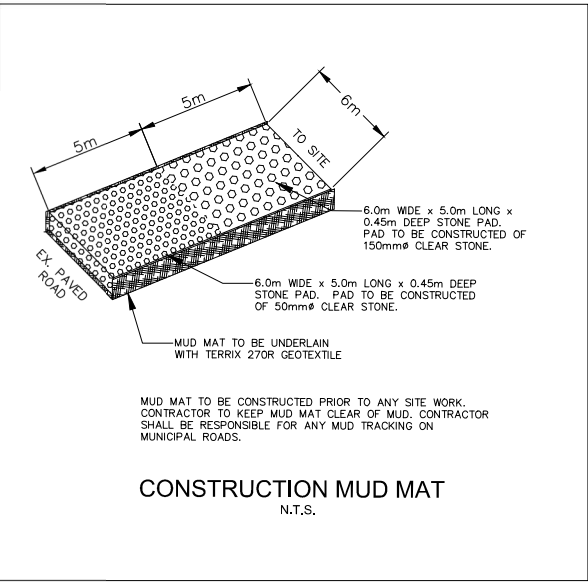
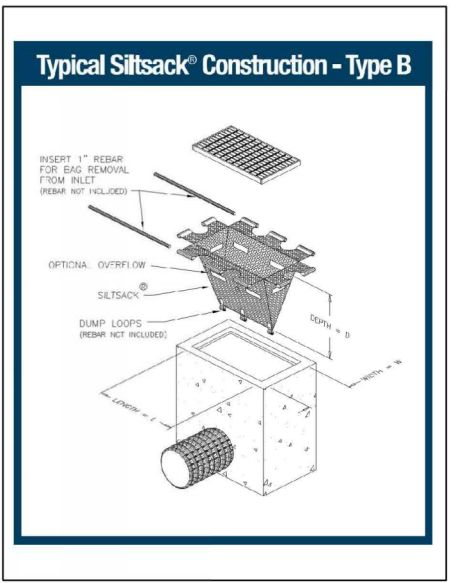
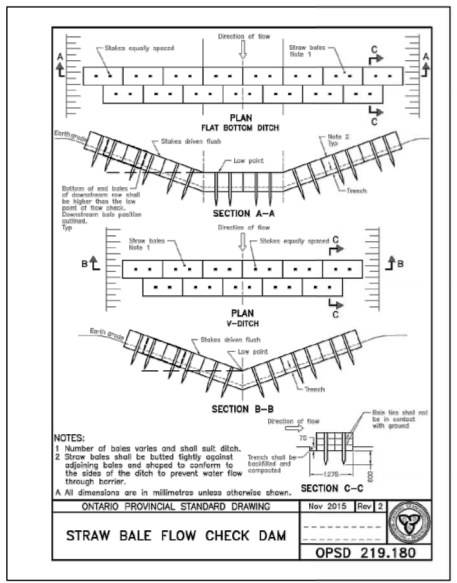


LEGEND:

	EXISTING WATER VALVE
	EXISTING HYDRO POLE
	EXISTING TREE
	EXISTING TREE DRIPLINE
	EXISTING OVERHEAD HYDRO WIRES
	EXISTING FENCELINE
	EXISTING CURBS
	EX. STORM M.H.
	EX. SANITARY M.H.
	EX. CATCH BASIN
	PROP. STORM M.H.
	EX. SANITARY SEWER
	EX. STORM SEWER
	EX. WATERMAIN
	EX. HIGH VOLTAGE CONDUIT
	EX. BELL AND FIBEROPTIC CONDUIT
	EX. GAS
	PROPERTY LINE
	EXISTING GROUND ELEVATION
	EXISTING TOP OF CURB ELEVATION
	EXISTING GUTTER ELEVATION
	SEDIMENT CONTROL FENCE
	MUD MAT (SEE DETAIL THIS DWG)
	CATCHBASIN SEDIMENT CONTROL TERRAFIX
	SILTSACK (SEE DETAIL THIS DWG)
	TEMPORARY OVERLAND FLOW ROUTE
	TEMP SLOPE DIRECTION
	STRAW BALE FLOW CHECK DAM (SEE DETAIL THIS DWG)



SOURCE:

- BACKGROUND LEGAL AND TOPOGRAPHIC SURVEY PREPARED BY KRCMAR SURVEYORS LTD. DATED NOVEMBER 02, 2023
- SITE PLAN PREPARED BY KIRKOR ARCHITECTS AND PLANNERS
- LANDSCAPE DRAWINGS PREPARED BY LANDSCAPE PLANNING LIMITED

SCALE: 1:1500

	DRAWN BY	CHECKED BY
	W.K.	S.P.
PRELIMINARY EROSION AND SEDIMENT CONTROL PLAN		FIGURE 4
BURNHAMTHORPE/OAKVILLE HOLDINGS INC. NEYAGAWA & HWY 407 TOWN OF OAKVILLE		
PROJECT NUMBER: ALL-23012713-A0	DATE: SEPTEMBER 2025	