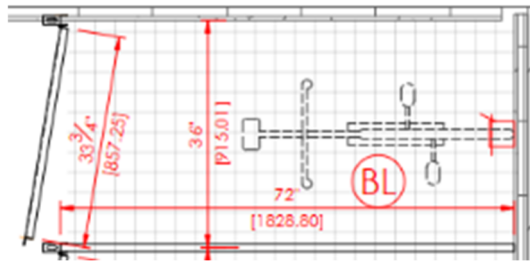


Attachment ID: 22404 Bike Examples 2026-05-01

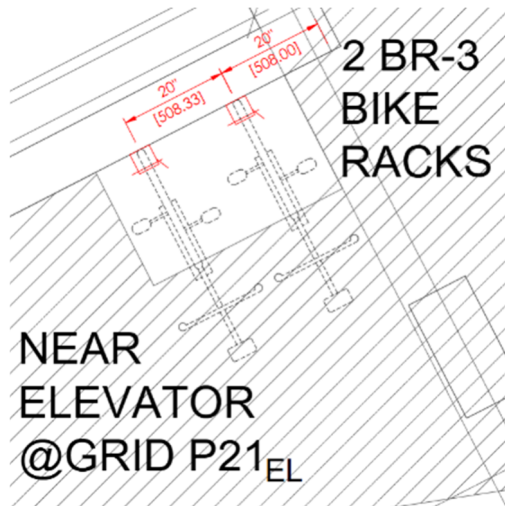
The following is supplemental to architect's response provided for comment items 3.1.a. & 5.1

Submittal drawings referenced prepared by Wilkinson Chutes Canada and prepared for the Clockwork Building 3 project.

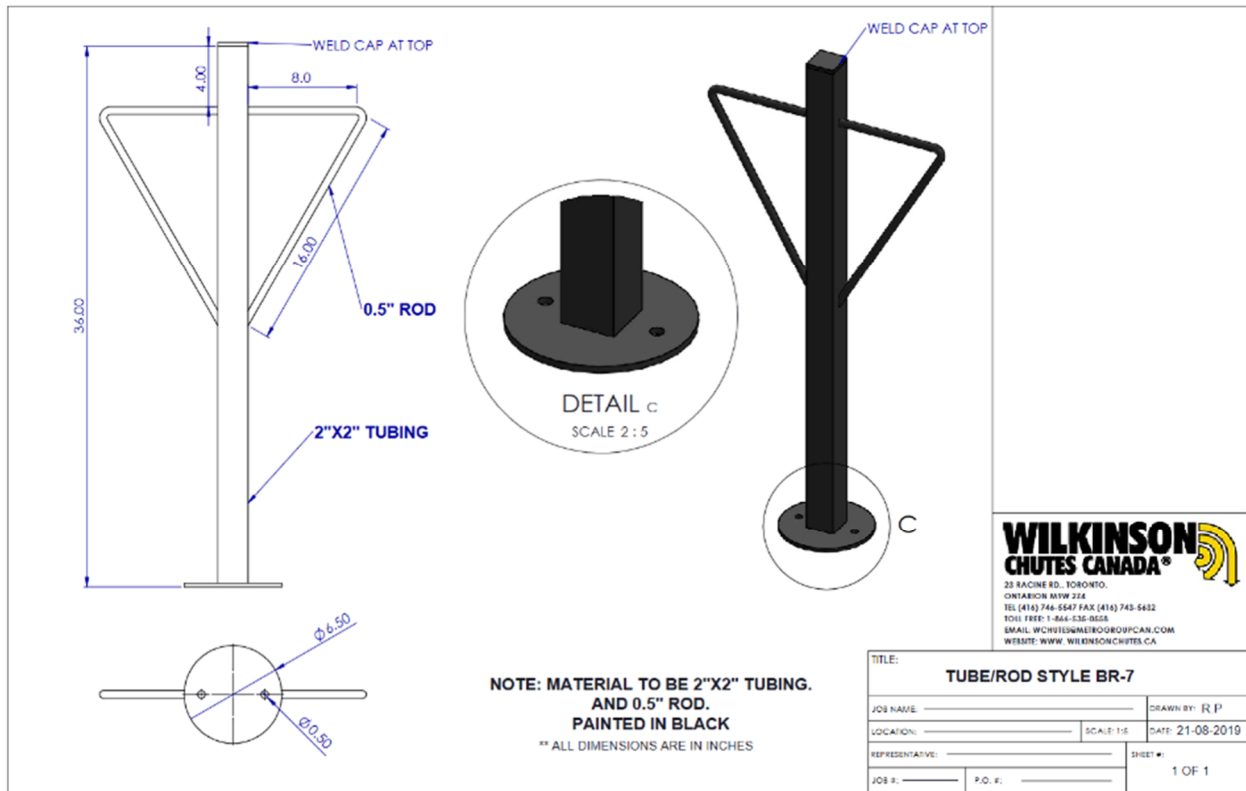
Example of Bike Sized Locker w/ vertical bike hanging configuration:



Example of vertical owner bicycle parking array:



Example of exterior bicycle parking bracket:



TITLE: TUBE/ROD STYLE BR-7		DRAWN BY: R P
JOB NAME: _____	SCALE: 1:5	DATE: 21-08-2019
LOCATION: _____	REPRESENTATIVE: _____	SHEET #: 1 OF 1
JOB #. _____	P.O. #. _____	

Example of hanging bicycle mount:

BR-3 WALL MOUNT BIKE RACK

