

EROSION SEDIMENT CONTROL NOTES:

1. SILT FENCE(S) TO BE INSTALLED AND MAINTAINED TO PREVENT SILT FLOWING ONTO ADJACENT LANDS.
2. CONSTRUCTION ACCESS SHALL BE CONSTRUCTED WITH A MINIMUM DEPTH OF 450mm CLEAR STONE BASE FROM THE MUNICIPAL CURB OR EDGE OF PAVEMENT TO THE PROPERTY LINE, TO THE SATISFACTION OF THE CITY.
3. RE-VEGETATE DISTURBED AREAS INCLUDING LANDS LEFT UNTOUCHED FOR MORE THAN 30 DAYS.
4. THE ESC STRATEGIES OUTLINED ON THE PLAN ARE NOT STATIC AND MAY NEED TO BE UPGRADED AND/OR AMENDED AS SITE CONDITIONS CHANGE TO PREVENT SEDIMENT RELEASES TO THE NATURAL ENVIRONMENT.

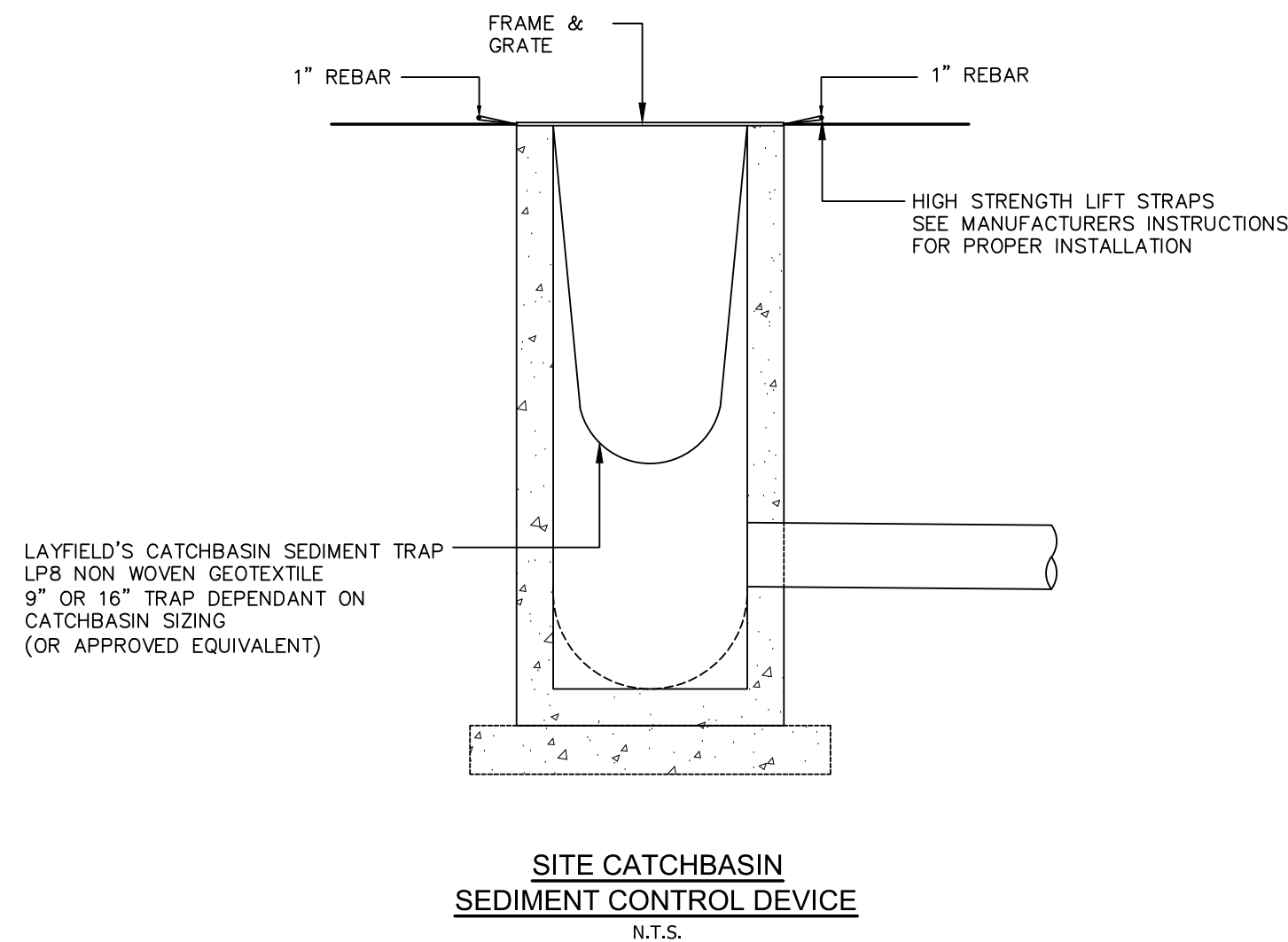
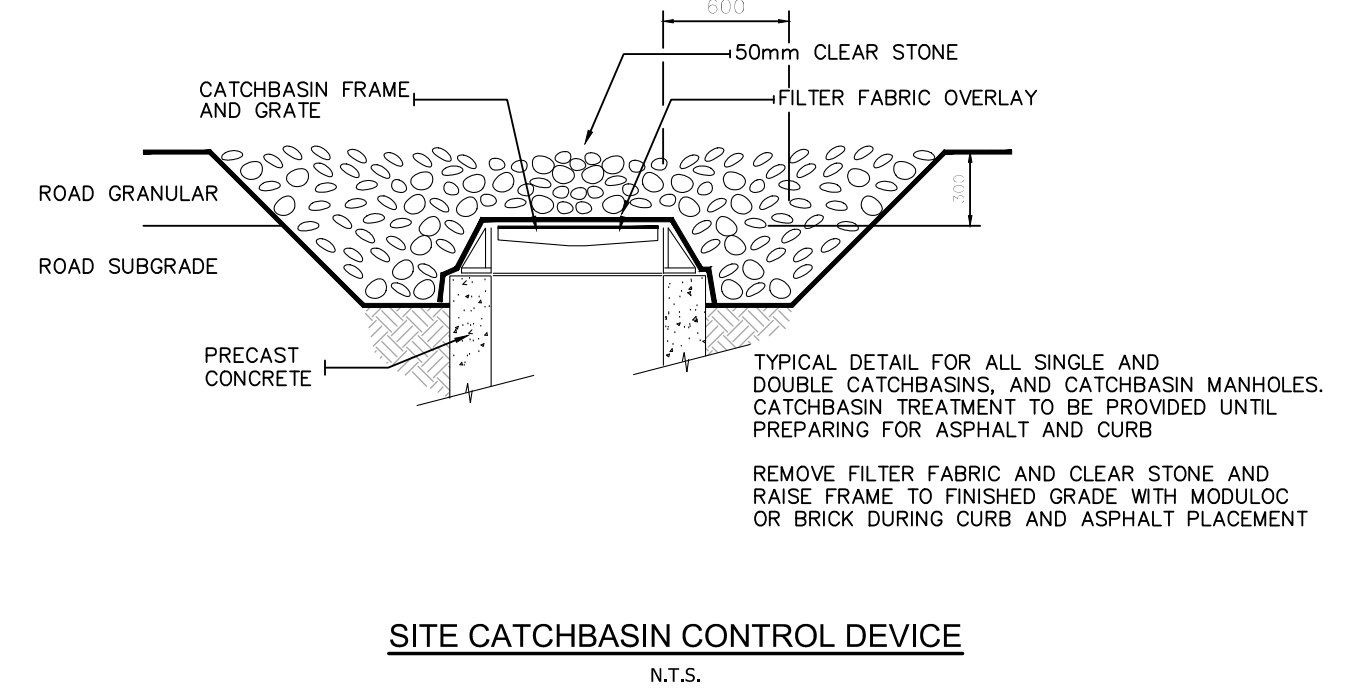
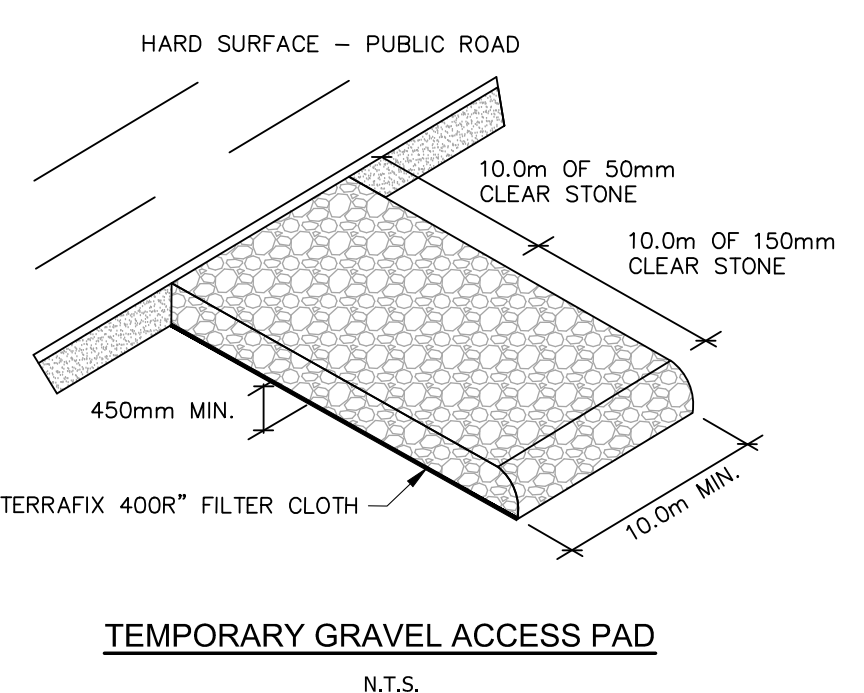
ESC INSPECTION REQUIREMENTS:

THE SEDIMENT CONTROLS WILL BE INSPECTED BY THE SITE ENGINEER AND CONTRACTOR:

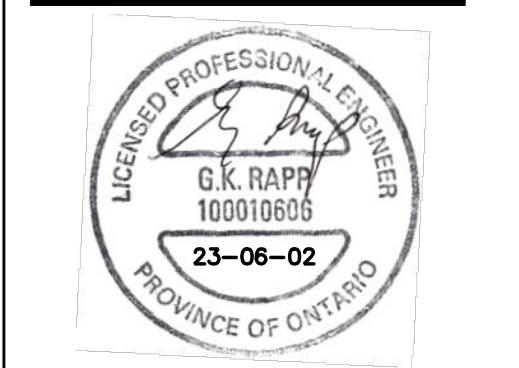
- ONCE EVERY 7 DAYS AND/OR
- WITHIN 24 HOURS FOLLOWING ANY RAINFALL EVENT OR SNOWMELT.
- THIS CAN BE EXTENDED TO MONTHLY INSPECTIONS IF THERE IS NO CONSTRUCTION ACTIVITY ON-SITE

CONSTRUCTION SEQUENCE:

- INSTALL SEDIMENT CONTROL FENCE AND GRAVEL ACCESS PAD.
- INSTALL SEDIMENT CONTROL DEVICES ON EXISTING CATCHBASINS RECEIVING RUNOFF FROM AREAS TO BE DISTURBED DURING CONSTRUCTION.
- INSTALL PERIMETER SWALES AND TEMPORARY SEDIMENT CONTROL POND.
- ROUGH GRADE SITE TO SUBGRADE ELEVATIONS.
- INSTALL SERVICES AND SEDIMENT CONTROL DEVICES ON NEW CATCHBASINS.
- REVEGETATE DISTURBED AREAS INCLUDING LANDS LEFT UNTOUCHED FOR MORE THAN 30 YEARS.
- REMOVE SEDIMENT CONTROLS ONCE THE SITE HAS BEEN 95 PERCENT STABILIZED.



- LEGEND:**
- EXISTING SEDIMENT CONTROL (REFER TO ROAD CATCHBASIN SEDIMENT CONTROL DEVICE DETAIL ON THIS DRAWING)
 - CATCHBASIN WITH SEDIMENT CONTROL (REFER TO DETAIL ON THIS DRAWING)
 - EXISTING STORM SEWER
 - PROPOSED STORM SEWER
 - DIRECTION OF OVERLAND FLOW
 - HEAVY DUTY SILT FENCE BARRIER (REFER TO OPSD 219.131)
 - PROPERTY LINE
 - EX-PIPE TO BE REMOVED
 - EX-STRUCTURE TO BE REMOVED
 - EXISTING TREES TO BE REMOVED AS PER LANDSCAPE DRAWINGS



OWNER:
KANEFF GROUP OF COMPANIES
3551 Mississippi Road
Brampton | Ontario | L6Y 5G8

ISSUED FOR SITE PLAN APPROVAL 02 JUN 23

New 1-Storey Warehouse Building

2360 Bristol Circle
Oakville, Ontario

EROSION AND SEDIMENT CONTROL PLAN

Project Number:
231423

Drawn By: ZYX
Checked By: GKR
Date: 23-06-02
Scale: 1:300
Sheet Number:

SW3