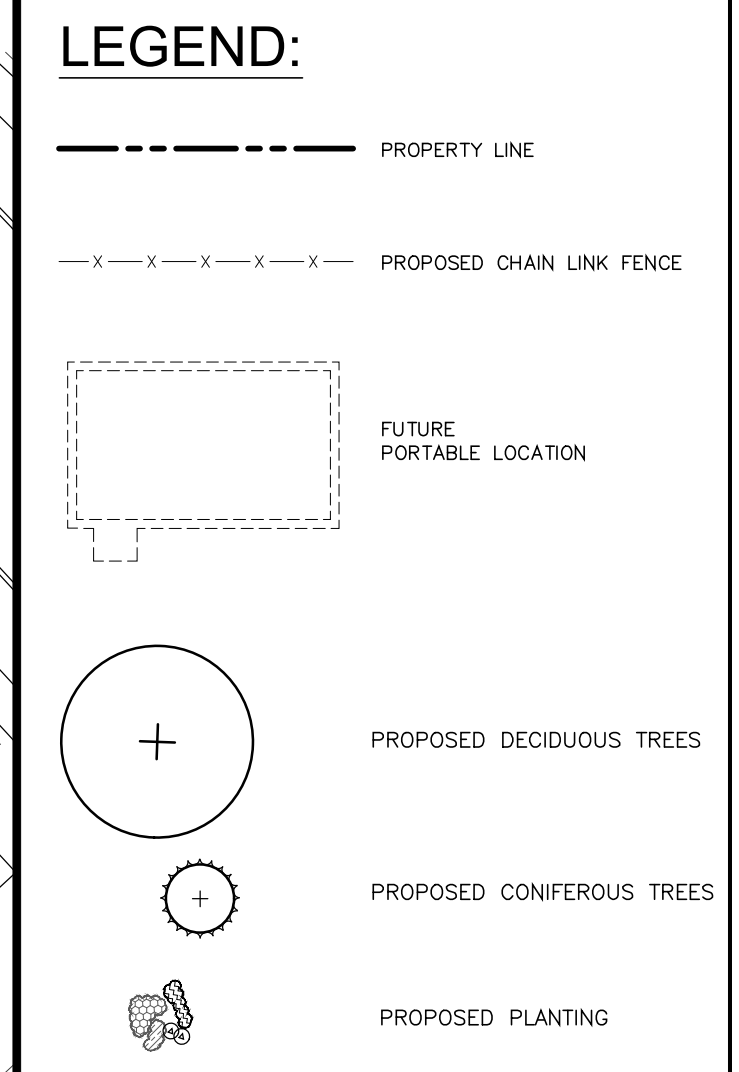


KEY PLAN N.T.S.

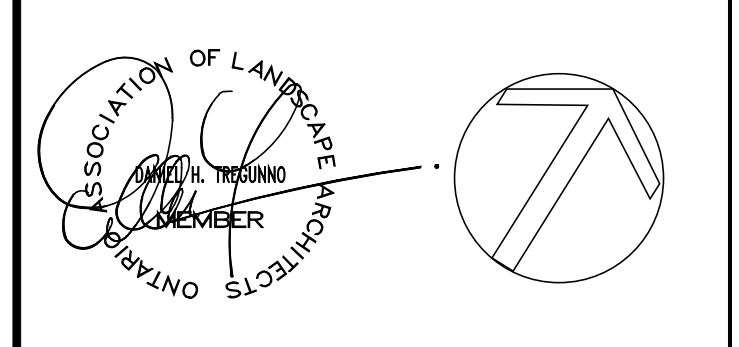
BASE INFORMATION TAKEN FROM DRAWINGS BY OTHERS. SA DOES NOT ASSUME ANY RESPONSIBILITY FOR ERRORS, OMISSIONS OR ACCURACY OF THE INFORMATION. DRAWINGS SHALL ONLY BE USED FOR GUIDELINE PURPOSES ONLY.



DATE	DESCRIPTION	CHECKED BY
JUL 27 2021	ISSUED FOR SITE PLAN APPROVAL	Z JK
JUL 20 2021	ISSUED TO URBANTECH	1 JK

DATE	DESCRIPTION	CHECKED BY
REVISIONS		

NOTE: Contractor to check and verify all dimensions and conditions on the project, and immediately report any discrepancies to the landscape architect before proceeding with the work.



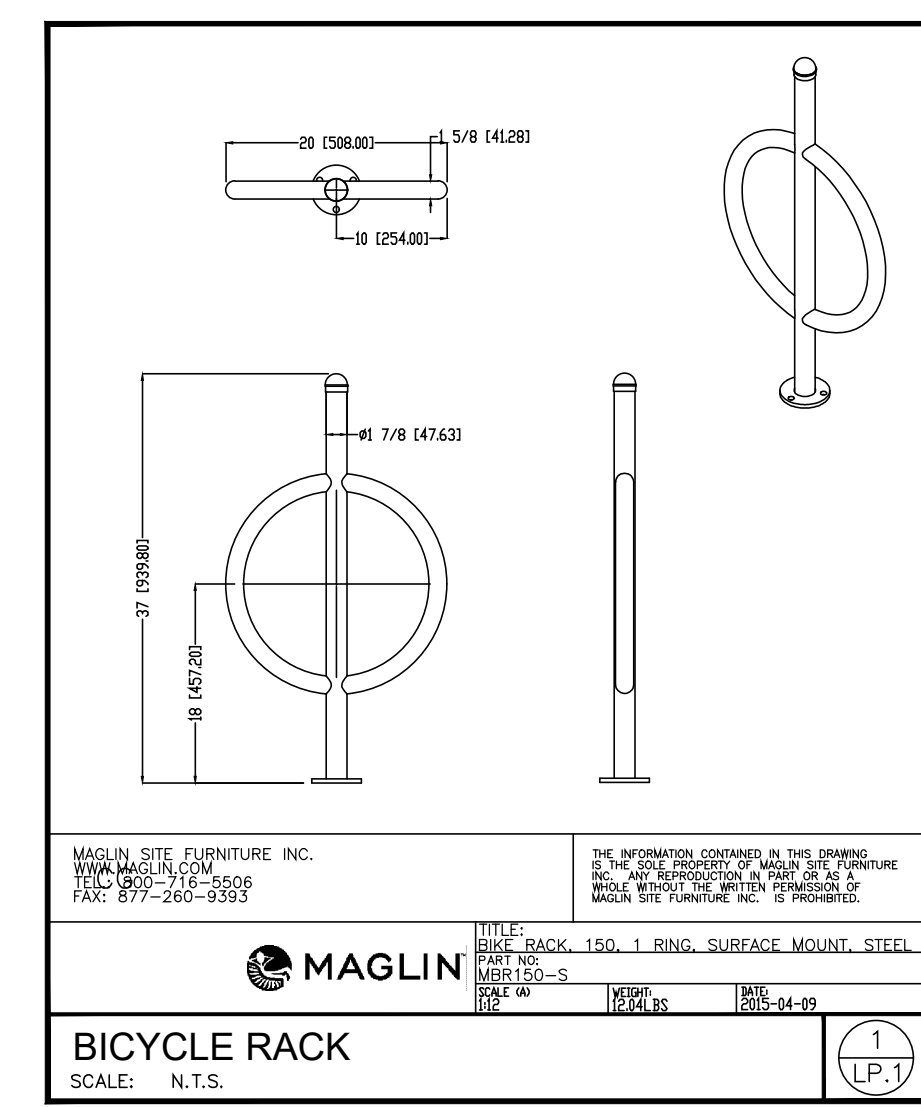
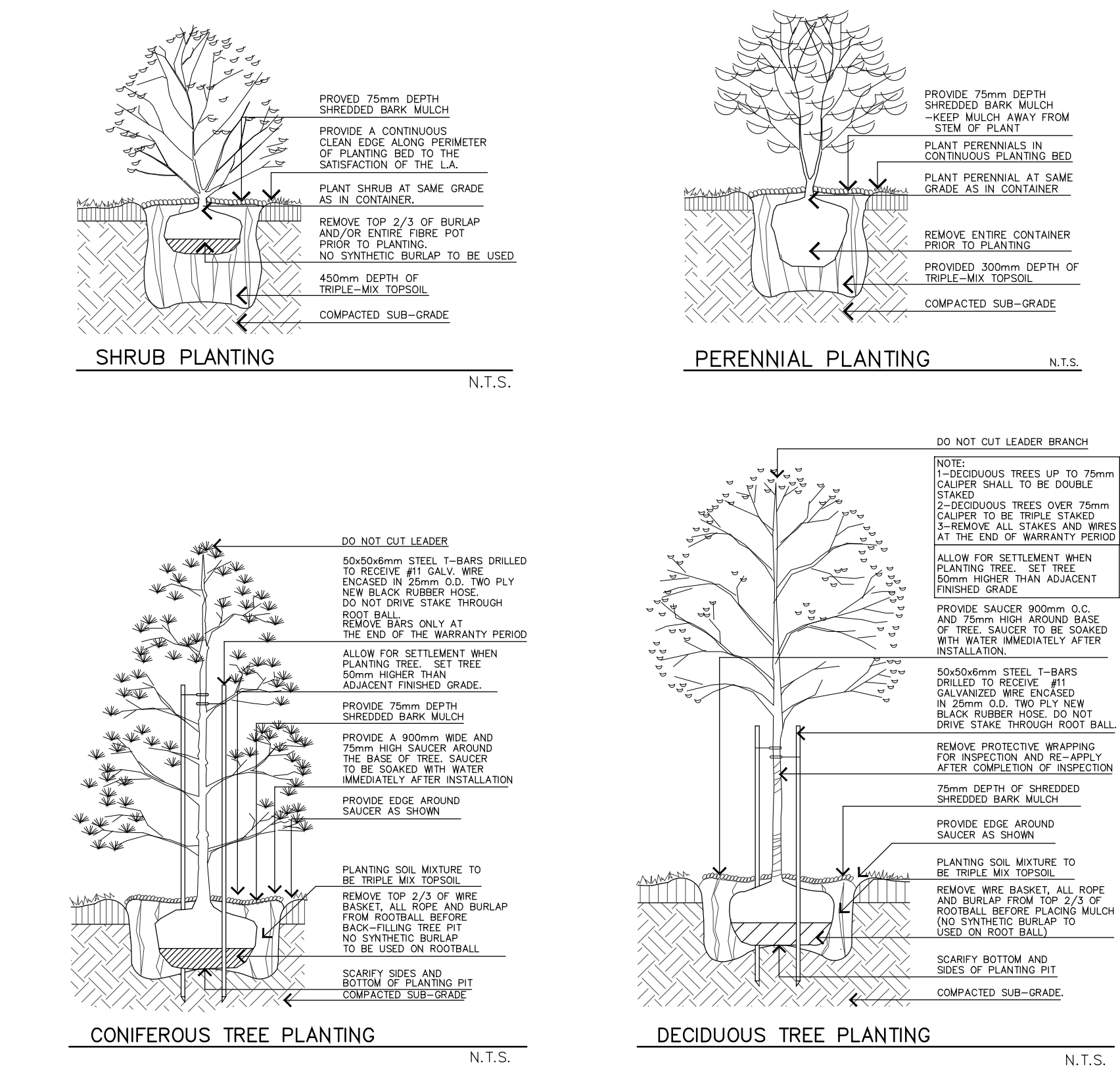
HALTON CATHOLIC DISTRICT SCHOOL BOARD



Project Name:
NE OAKVILLE #4 CATHOLIC ELEMENTARY SCHOOL
THRESHING MILL BLVD. OAKVILLE, ONTARIO
Sheet Description:
LANDSCAPE PLAN AND DETAILS

Date: JAN 2021
Job No: S4 2751
Scale: 1:300
SHEET NO: LP.1

Issued: JULY 2021
Drawn By: RO
Checked By: DT
File No: 2751LP-210723.DWG



PLANT LISTS:

BOTANICAL NAME	COMMON NAME	CAL.	HEIGHT/SPREAD	COND.	REMARKS
DECIDUOUS TREES					
ACEK BUREAM (A)	RED MAPLE	75mm	-	-	SPECIMEN
RETILA INOIRA (B)	RIVER BIRCH	75mm	-	-	SPECIMEN
ACEK SACCHARUM (C)	SUGAR MAPLE	75mm	-	-	SPECIMEN
QUERUS RUBRA (D)	RED OAK	75mm	-	-	SPECIMEN
LULMA AMERICANA (E)	AMERICAN ELM	75mm	-	-	SPECIMEN
QUERUS PRINANA (F)	BROWN OAK	75mm	-	-	SPECIMEN
RETILA PAPYRIFERA (G)	PAPER BIRCH CLUMP	75mm	-	-	SPECIMEN
TELIA CORDATA 'SPENSBRIC' (H)	SPENSBRIC BRACK	75mm	-	-	SPECIMEN
LIRIODI BULBOSA (I)	MAGENHAR TREE	75mm	-	-	SPECIMEN
CONIFEROUS TREES					
PICEA GLAUC (A)	WHITE SPRUCE	-	2m	-	SPECIMEN
PICEA MARYANA (B)	BLACK SPRUCE	-	2m	-	SPECIMEN
PRINUS RESINOSA (C)	RED PINE	-	2m	-	SPECIMEN
SHRUBS					
SYMPLOCARPUS ALBUS	COMMON SNOWBERRY	-	800mm	-	WOOLY
TRAXIS CANADENSIS	CANADA YEW	-	800mm	-	WOOLY
ELONANUS FORTALED	SARCOCOE	-	800mm	-	WOOLY
LANTHUS HORIZONTALIS	FLAMINGO COMPACTA	-	800mm	-	WOOLY
GRASSES					
CALAMAGROSTIS CANADENSIS	CANADA BLUEJOINT	-	2-YEAR	-	CO
CALAMAGROSTIS BRACHYTRICHA	AUTUMN FEATHER REED GRASS	-	2-YEAR	-	CO

- CONTRACTOR TO SUPPLY AND INSTALL PLANT MATERIAL AS PER QUANTITIES LISTED ON LANDSCAPE PLAN, IN CASE OF DISCREPANCY BETWEEN PLAN AND QUANTITIES ON PLANT LIST IF PROVIDED.
- PLANT MATERIAL TO CONFORM TO CANADIAN NURSERY ASSOCIATION METRIC SLICE DESIGNATIONS FOR NUMBER, STOCK, LATEST EDITION.
- CONTRACTOR TO STAKE OUT ALL LOCATIONS FOR ALL UTILITIES PRIOR TO STAKING OUT TREE LOCATIONS.
- ALL SHRUB PLANTINGS SHALL BE IN CONTINUOUS REG. TREES OTHERWISE NOTED.
- ALL PLANT MATERIAL TO HAVE A 2-YEAR WARRANTY PERIOD.