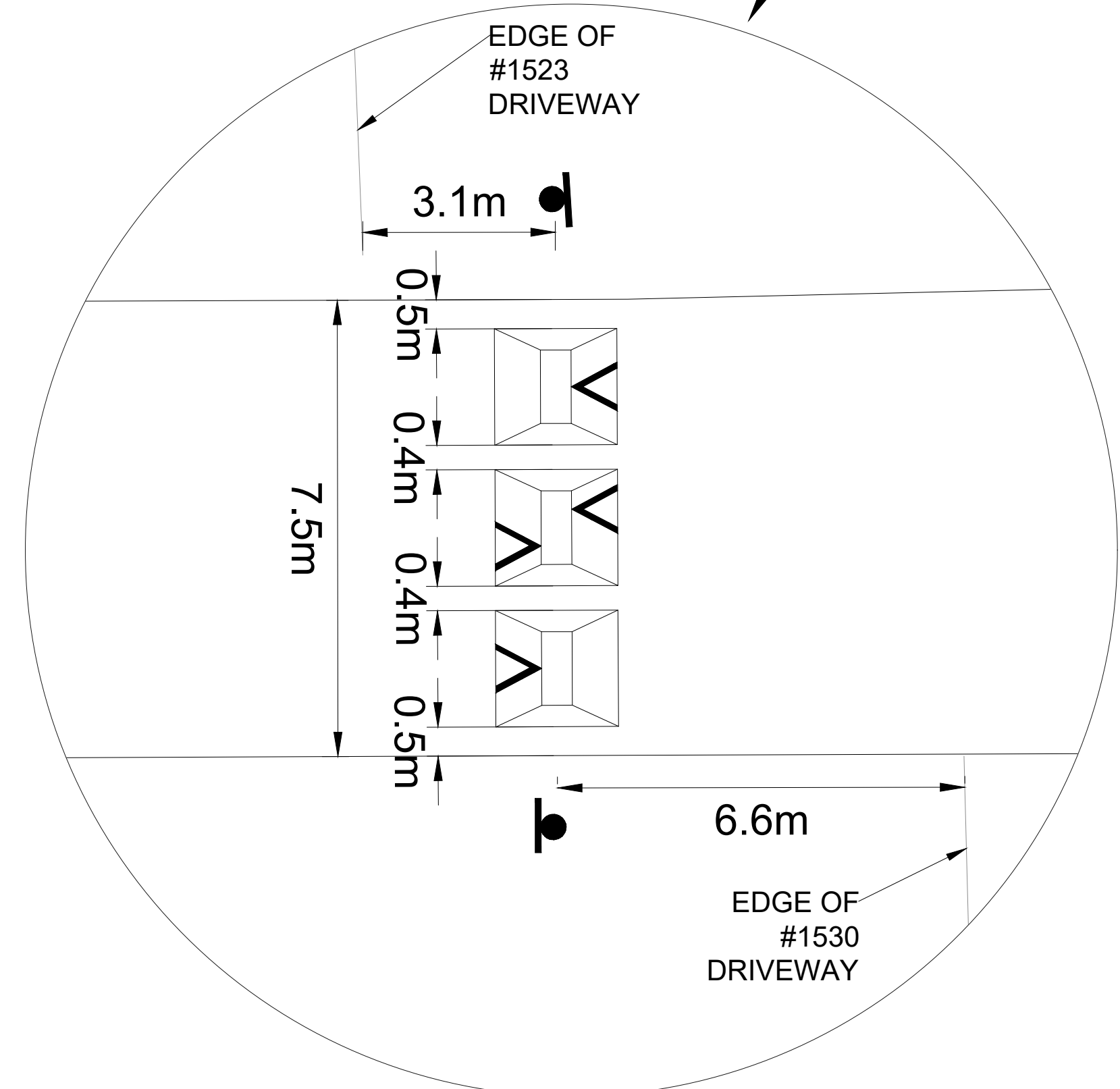
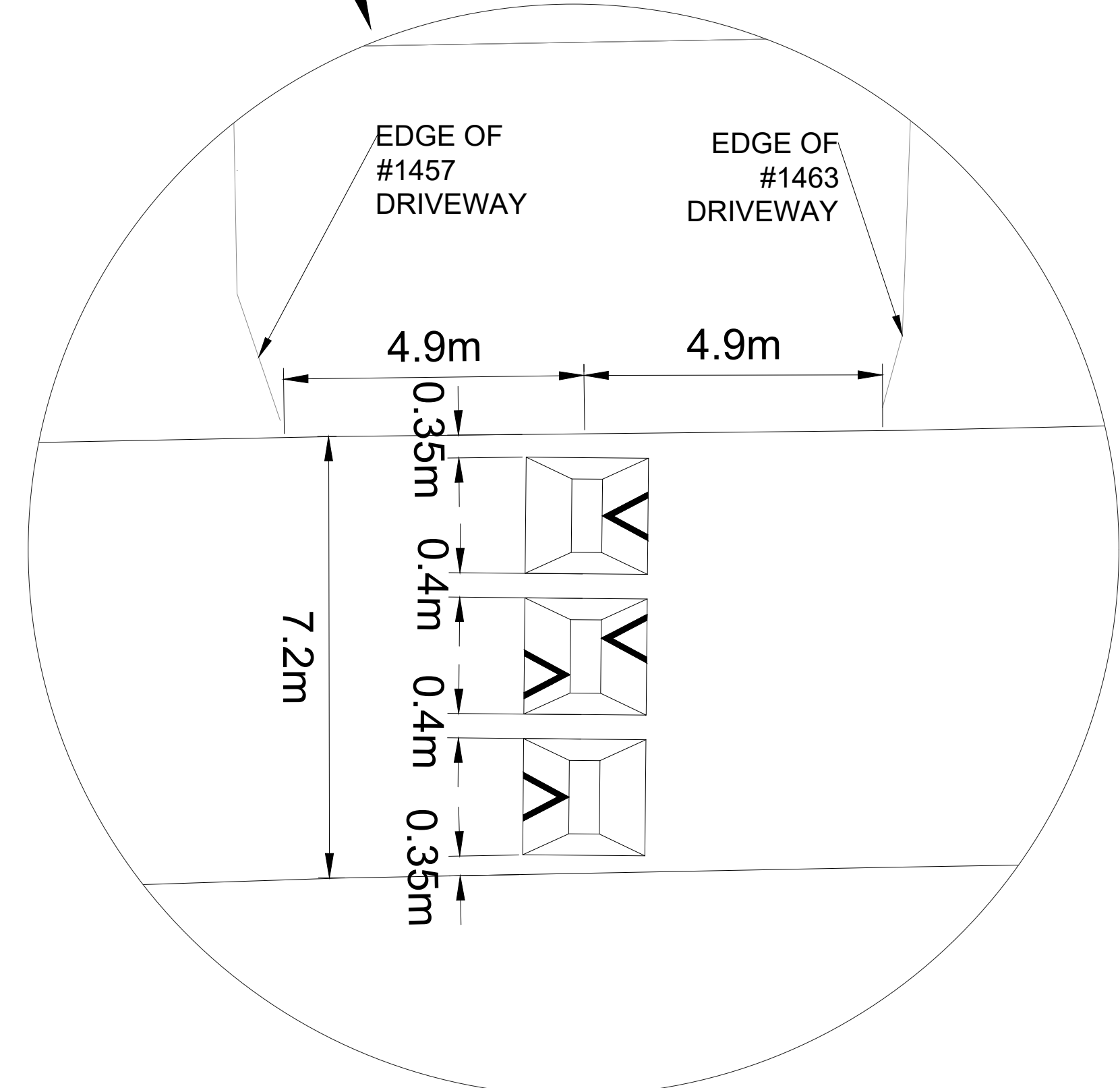
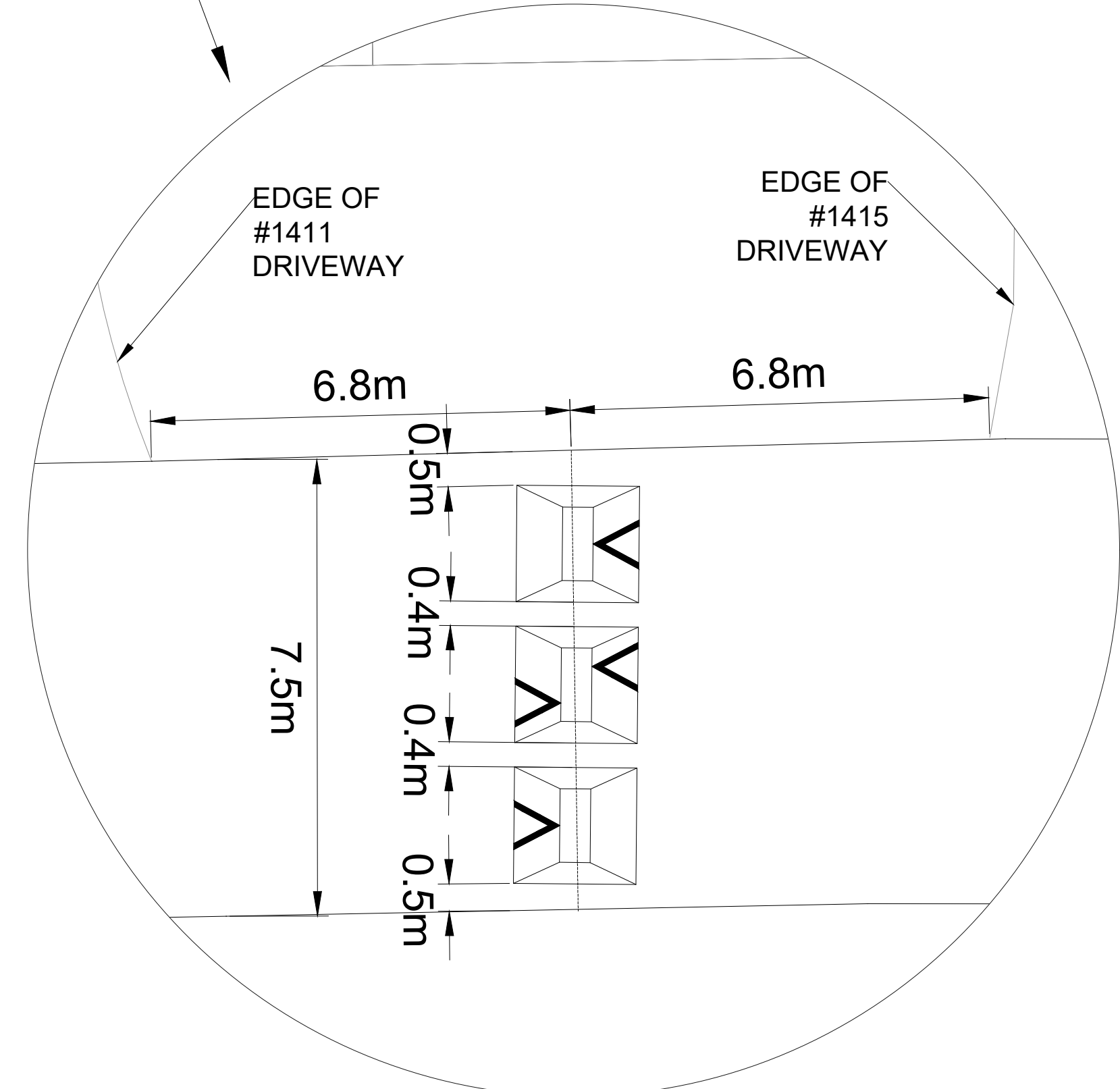
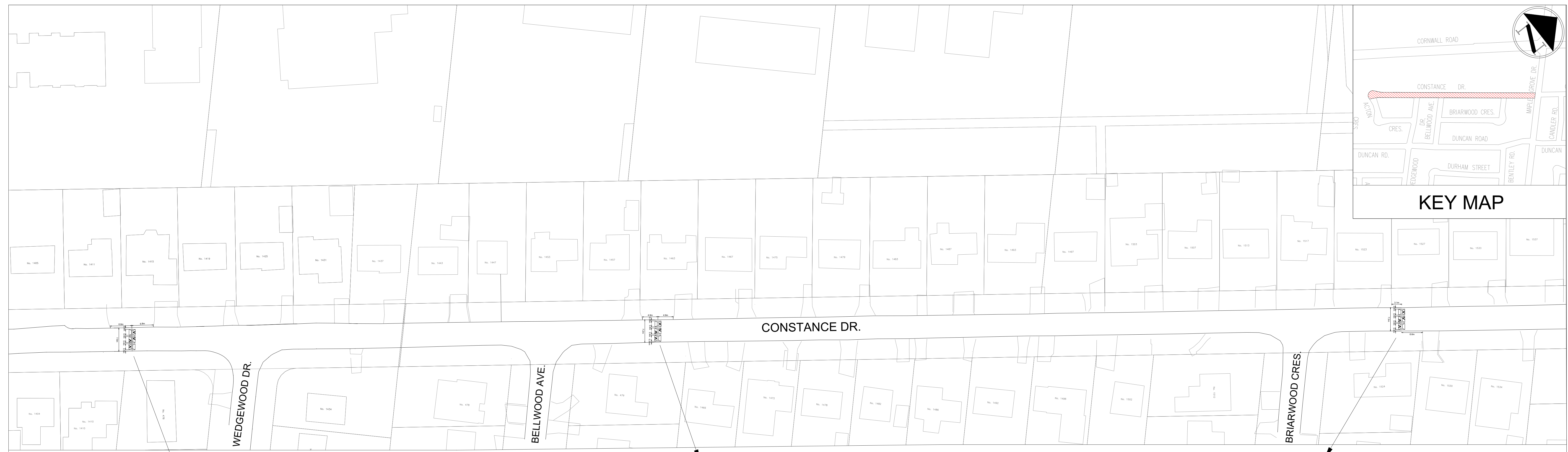
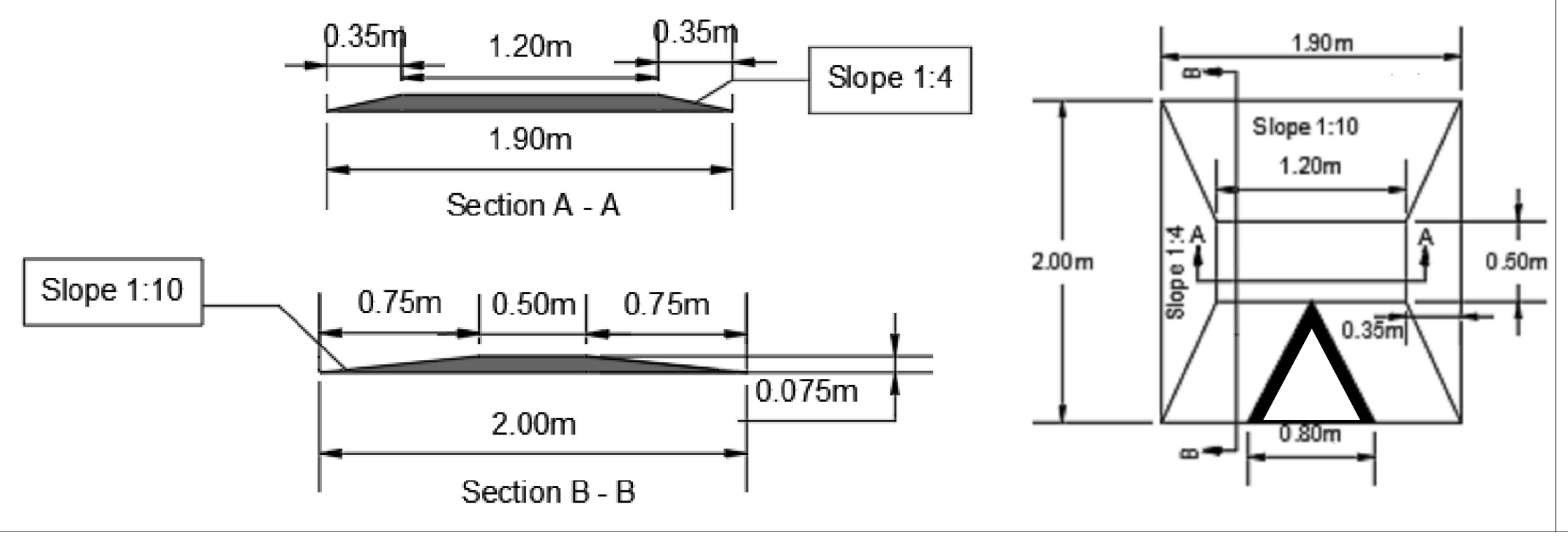


KEY MAP



- NOTES**
- 1) DRAWING SCALE IS 1:550, SPEED CUSHION DETAILS SHOWN IN CIRCULAR VIEWS AND KEY MAP ARE NOT TO SCALE.
 - 2) FOLLOW DIMENSIONS FOR SPACING BETWEEN SPEED CUSHIONS.



Legend:

SCALE: 1:550
REVISION: 2
DRAWN BY: RC
CHECKED BY: DC
DATE: MAR 12, 2026
ISSUE FOR TENDER
DATE: N/A
ISSUE FOR CONSTRUCTION
DATE: N/A

Traffic Calming Design
Constance Drive
Maple Grove Drive to its Westerly Limits

Transportation and Engineering Department

Contract No. _____ Drawing No. Sheet 1 of 2