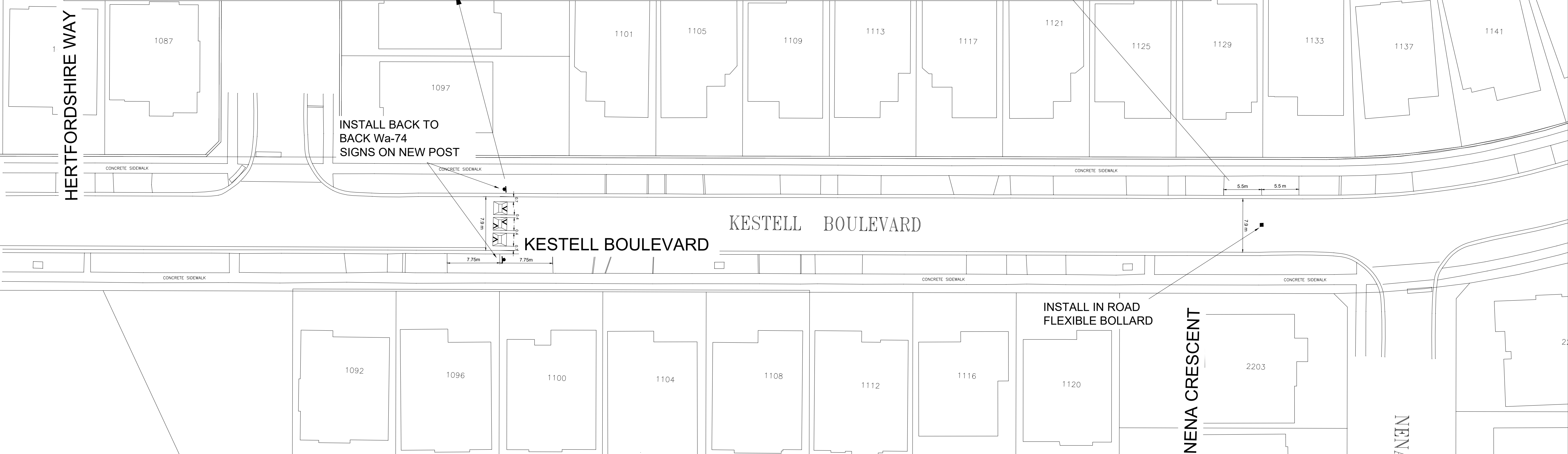
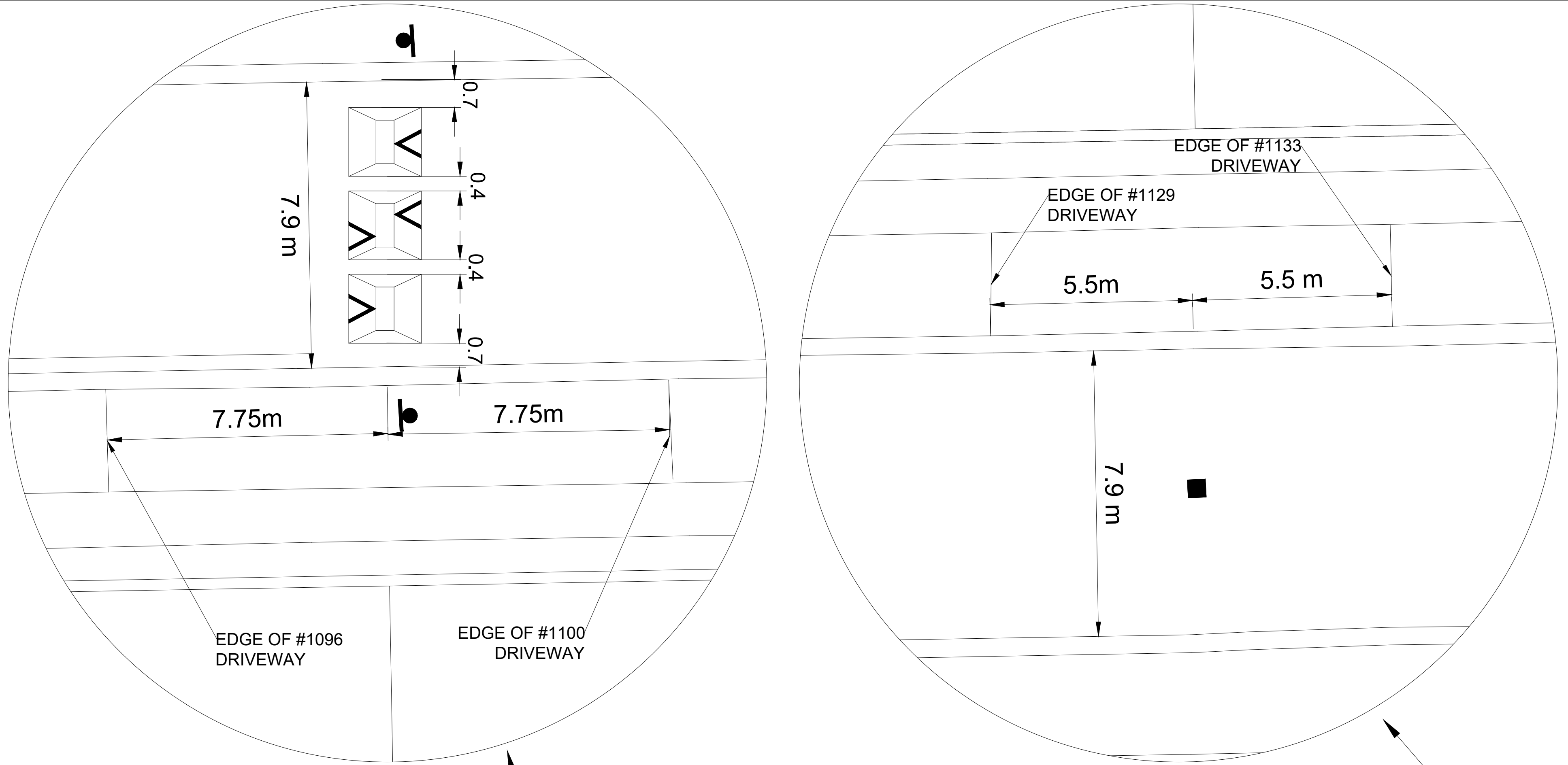
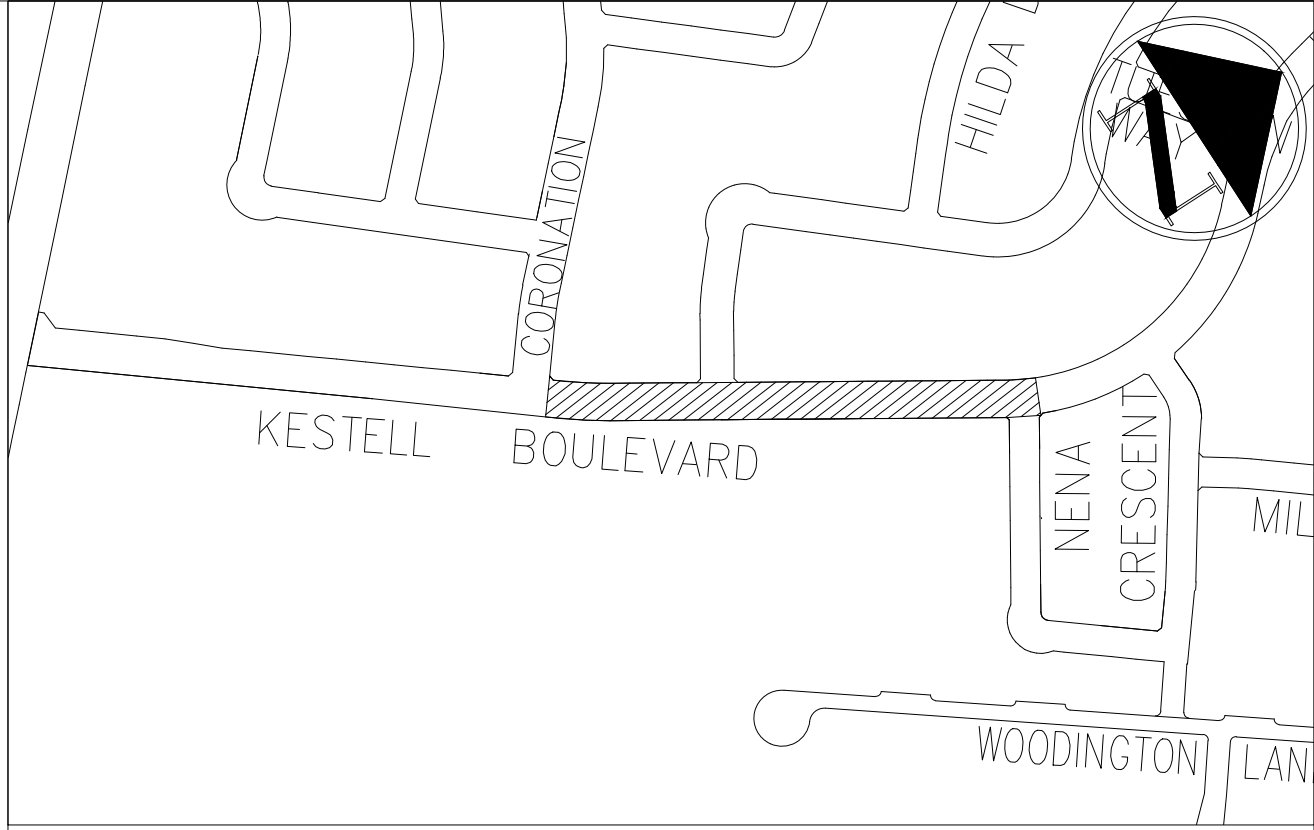


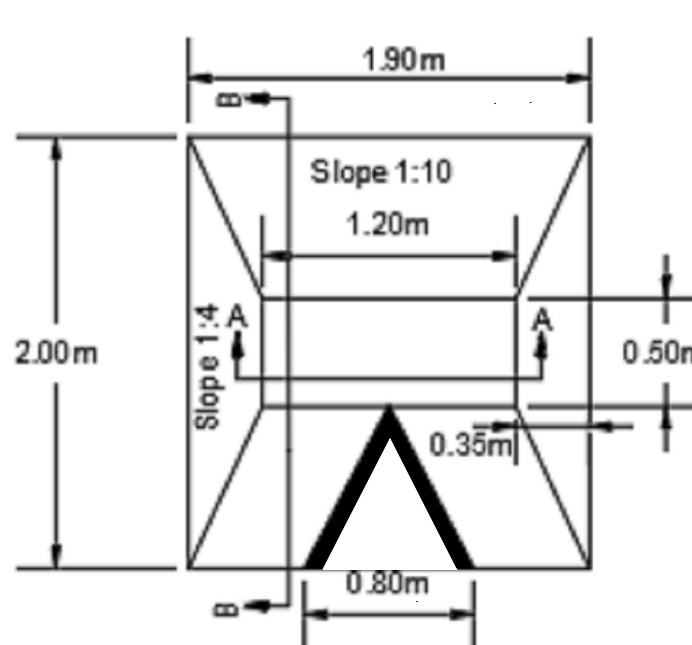
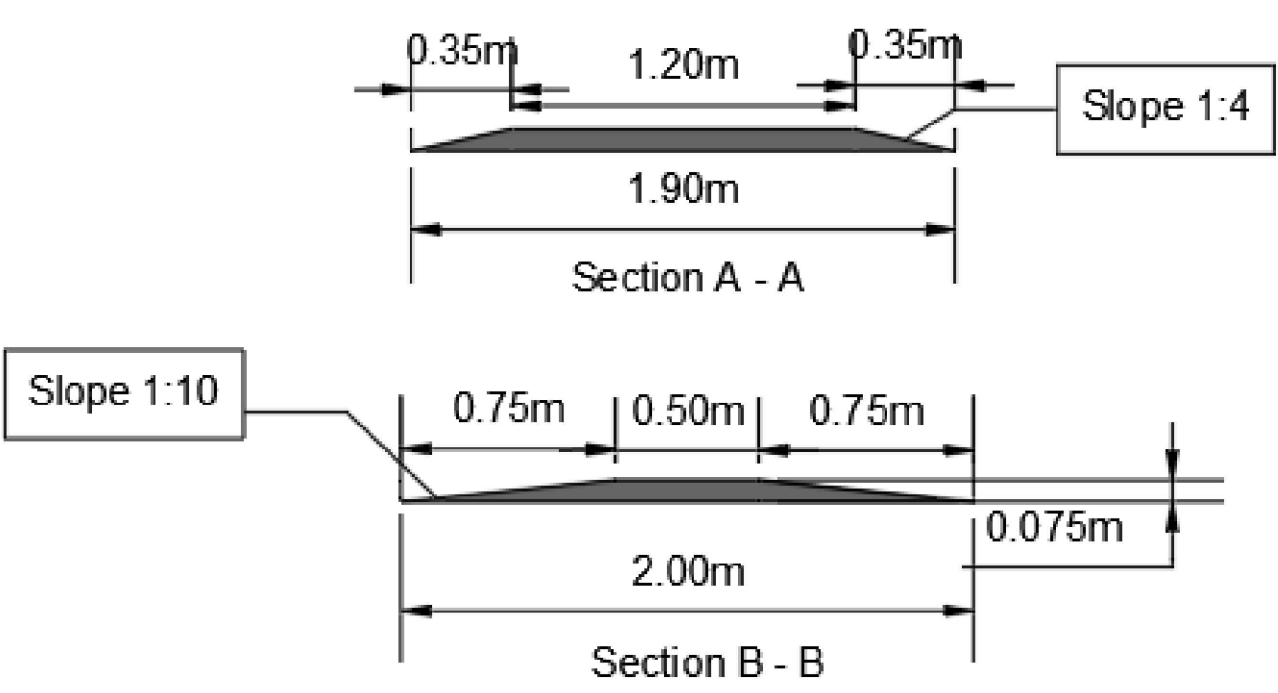


KEY MAP

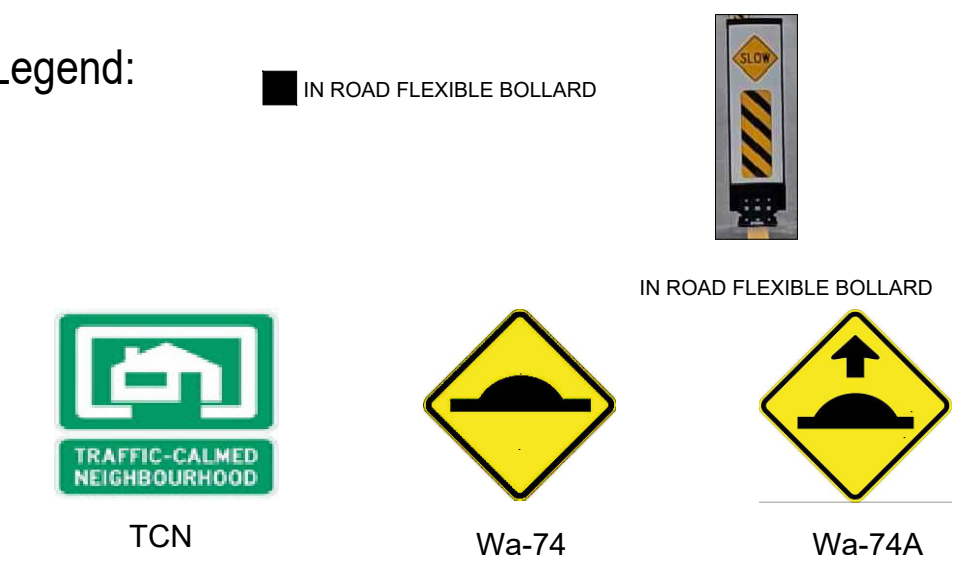


NOTES


- 1) DRAWING SCALE IS 1:300, SPEED CUSHION DETAILS SHOWN IN CIRCULAR VIEW AND KEY MAP ARE NOT TO SCALE.
- 2) FOLLOW DIMENSIONS FOR SPACING BETWEEN SPEED CUSHIONS.



Legend:



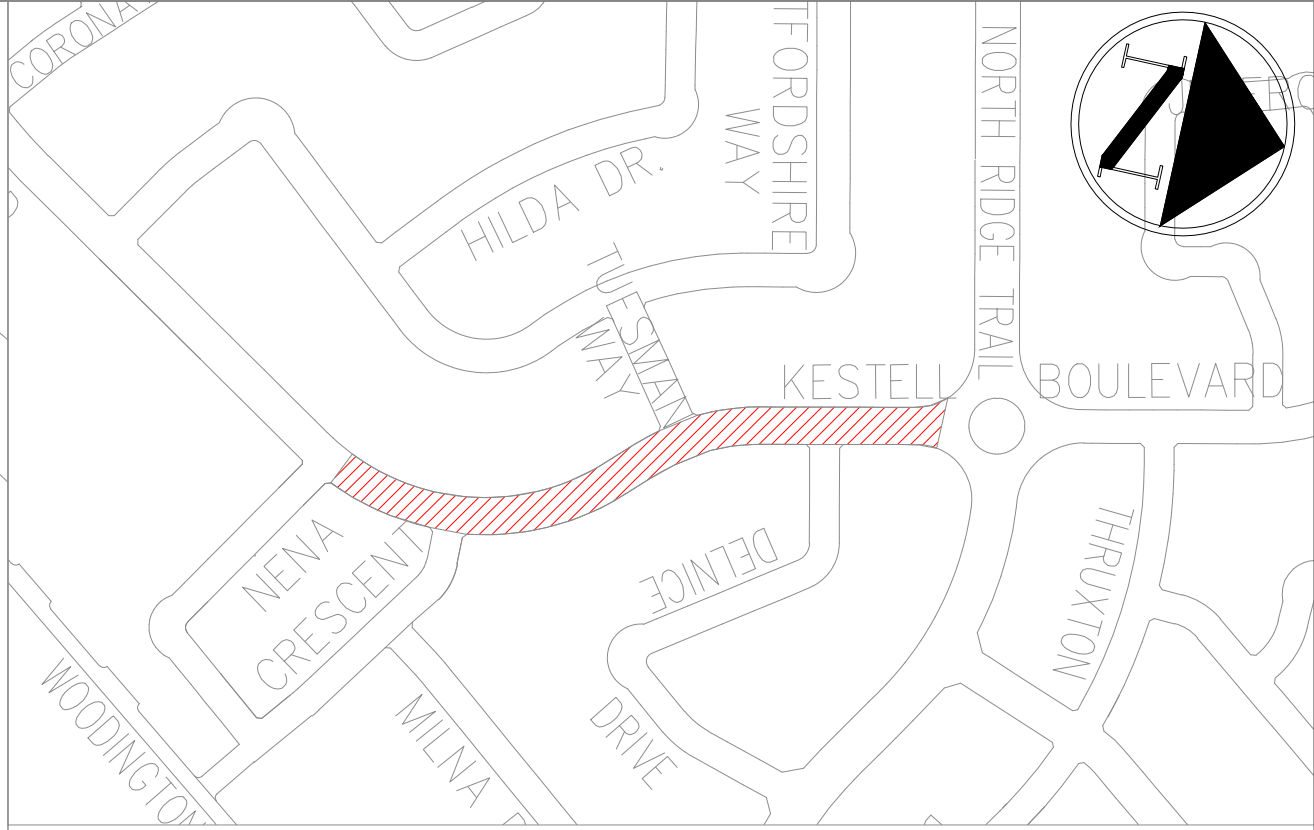
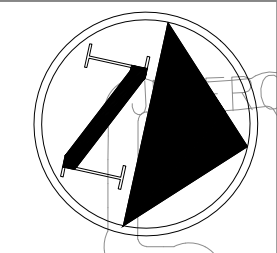
SCALE: 1:300
REVISION: 2
DRAWN BY: RC
CHECKED BY: DC
DATE: MAR 12, 2026
ISSUE FOR TENDER
DATE: N/a
ISSUE FOR CONSTRUCTION
DATE: N/a



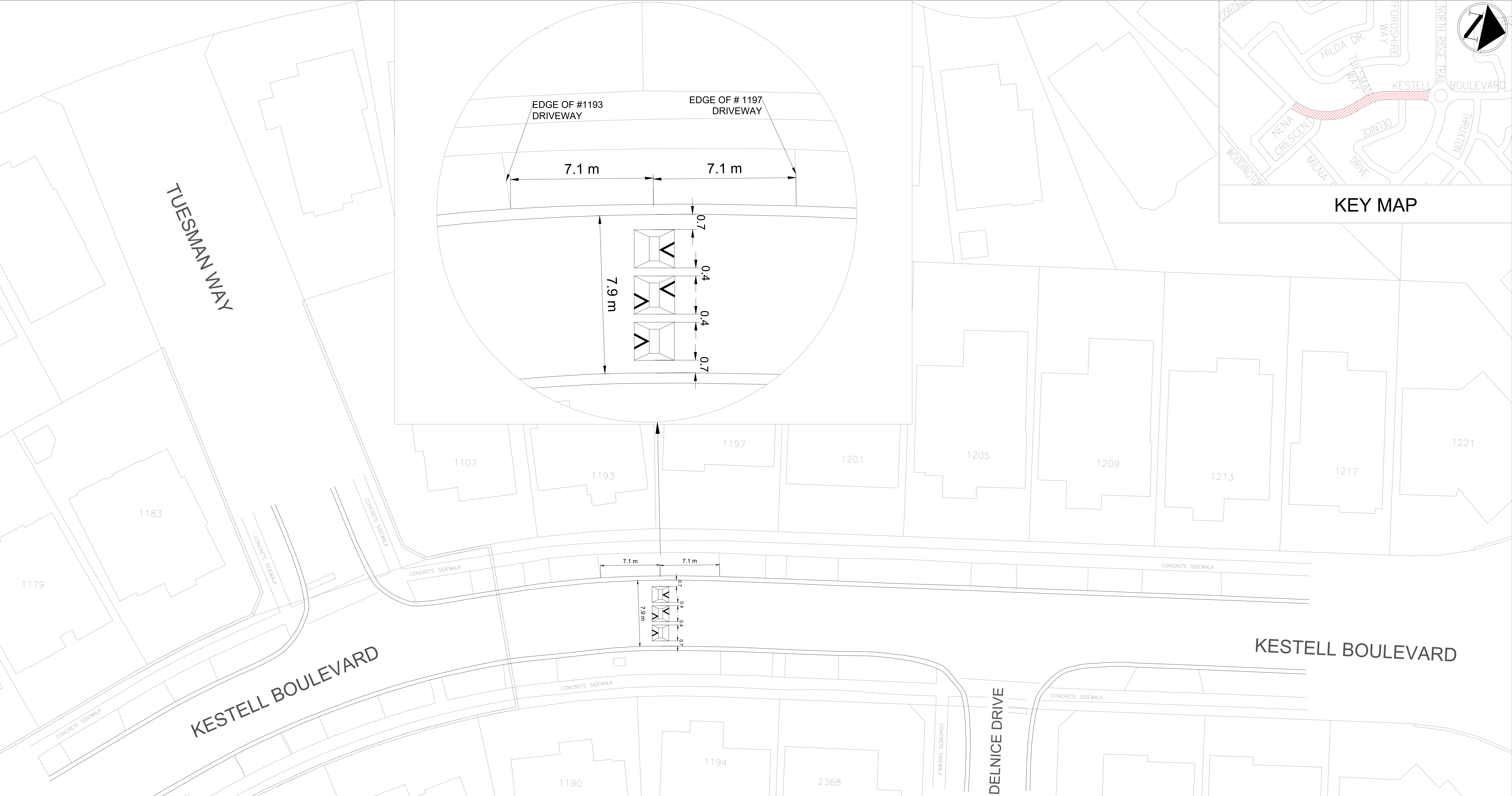
OAKVILLE
Traffic Calming Design
 Kestell Boulevard
 Coronation Drive to Nena Crescent

Transportation and Engineering Department

Contract No.	Drawing No. Sheet 1 of 2
--------------	--------------------------

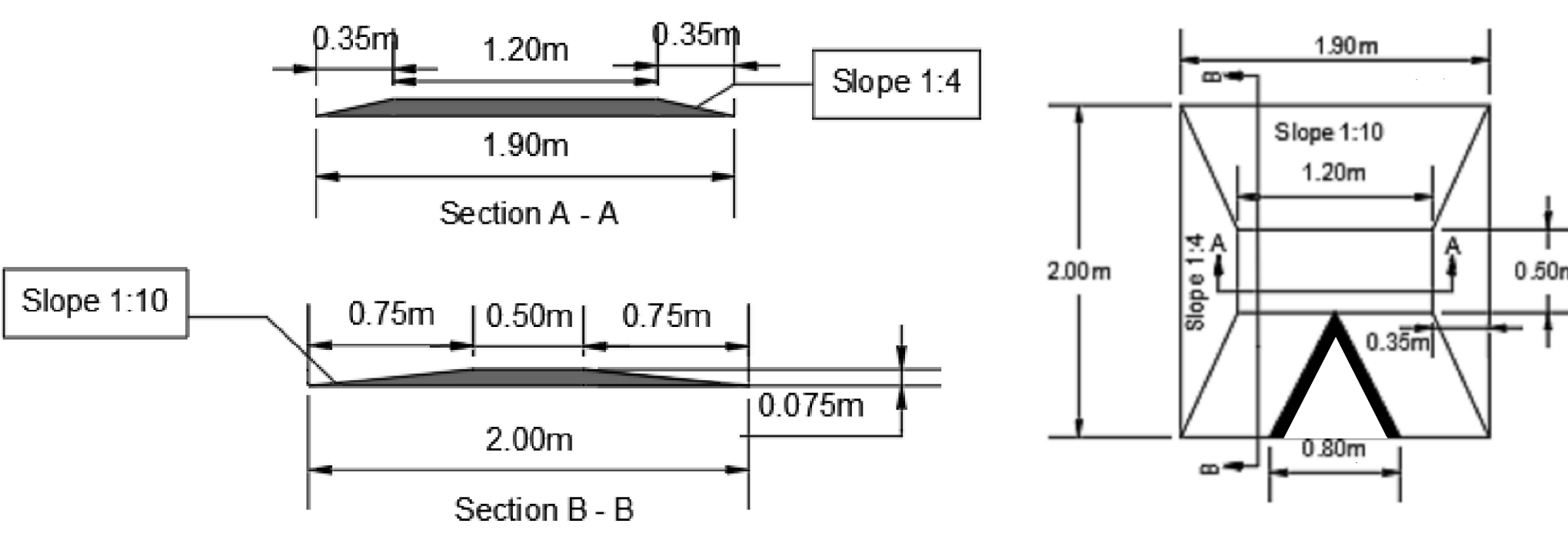


KEY MAP



NOTES

- 1) DRAWING SCALE IS 1:200, SPEED CUSHION DETAILS SHOWN IN CIRCULAR VIEW AND KEY MAP ARE NOT TO SCALE.
- 2) PRECISE LOCATION OF PROPOSED INFRASTRUCTURE TO BE DETERMINED AT CONSTRUCTION STAGE.



Legend: N/a

SCALE: 1:200
REVISION: 2
DRAWN BY: RC
CHECKED BY: DC
DATE: MAR 12, 2026
ISSUE FOR TENDER
DATE: N/a
ISSUE FOR CONSTRUCTION
DATE: N/a



OAKVILLE
Traffic Calming Design
 Kestell Boulevard
 Nena Crescent to North Ridge Trail

Transportation and Engineering Department