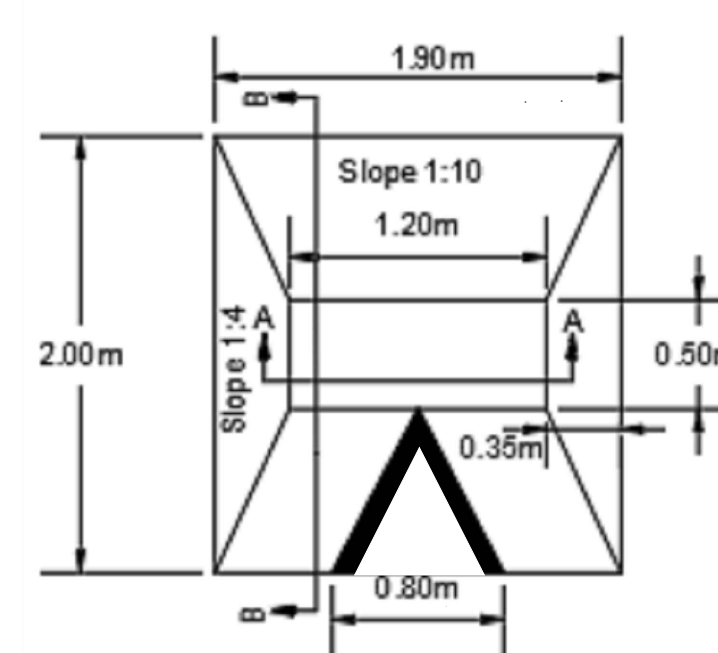
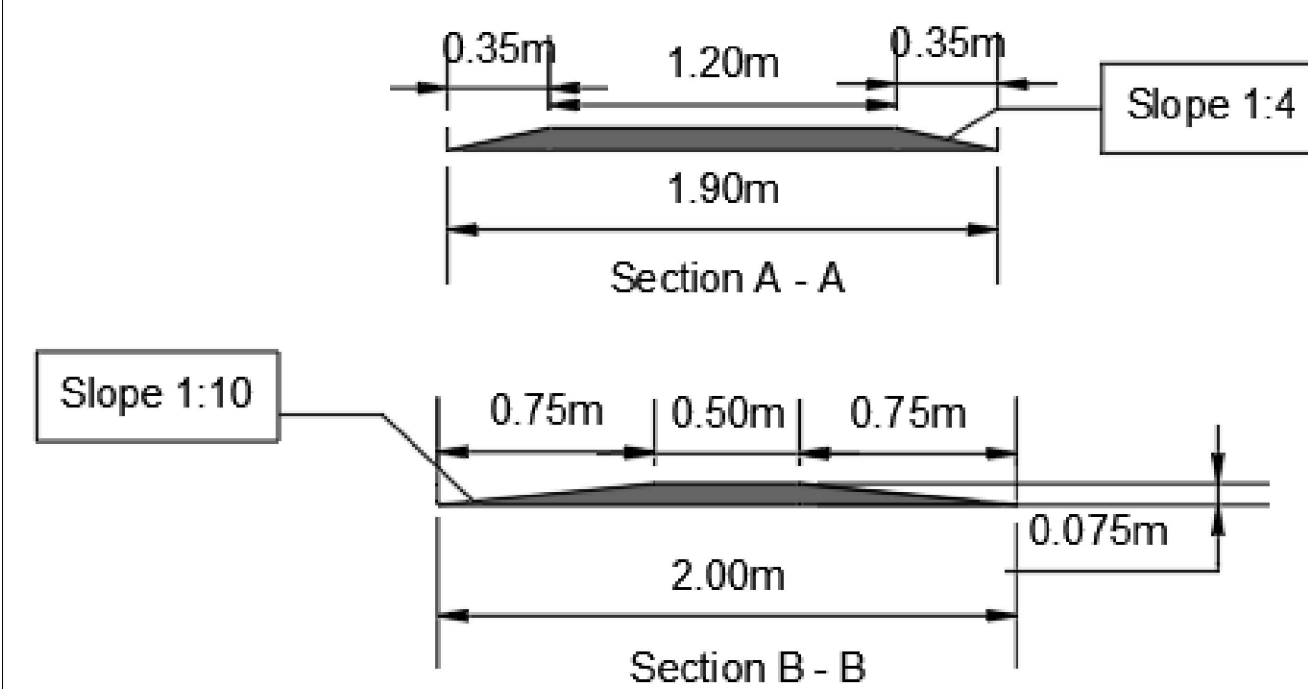


NOTES

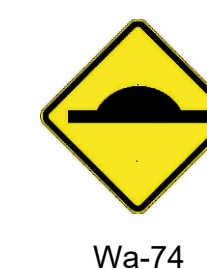
- 1) DRAWING SCALE IS 1:500, SPEED CUSHION DETAILS SHOWN IN CIRCULAR VIEWS AND KEY MAP ARE NOT TO SCALE.
- 2) PRECISE LOCATION OF PROPOSED INFRASTRUCTURE TO BE DETERMINED AT CONSTRUCTION STAGE.



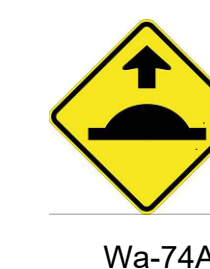
Legend:



TCN



Wa-74



Wa-74A

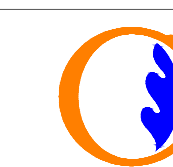
SCALE: 1:500

REVISION: 2

DRAWN BY: RC

CHECKED BY: JM

DATE: MAR 23, 2026



OAKVILLE

Traffic Calming Design

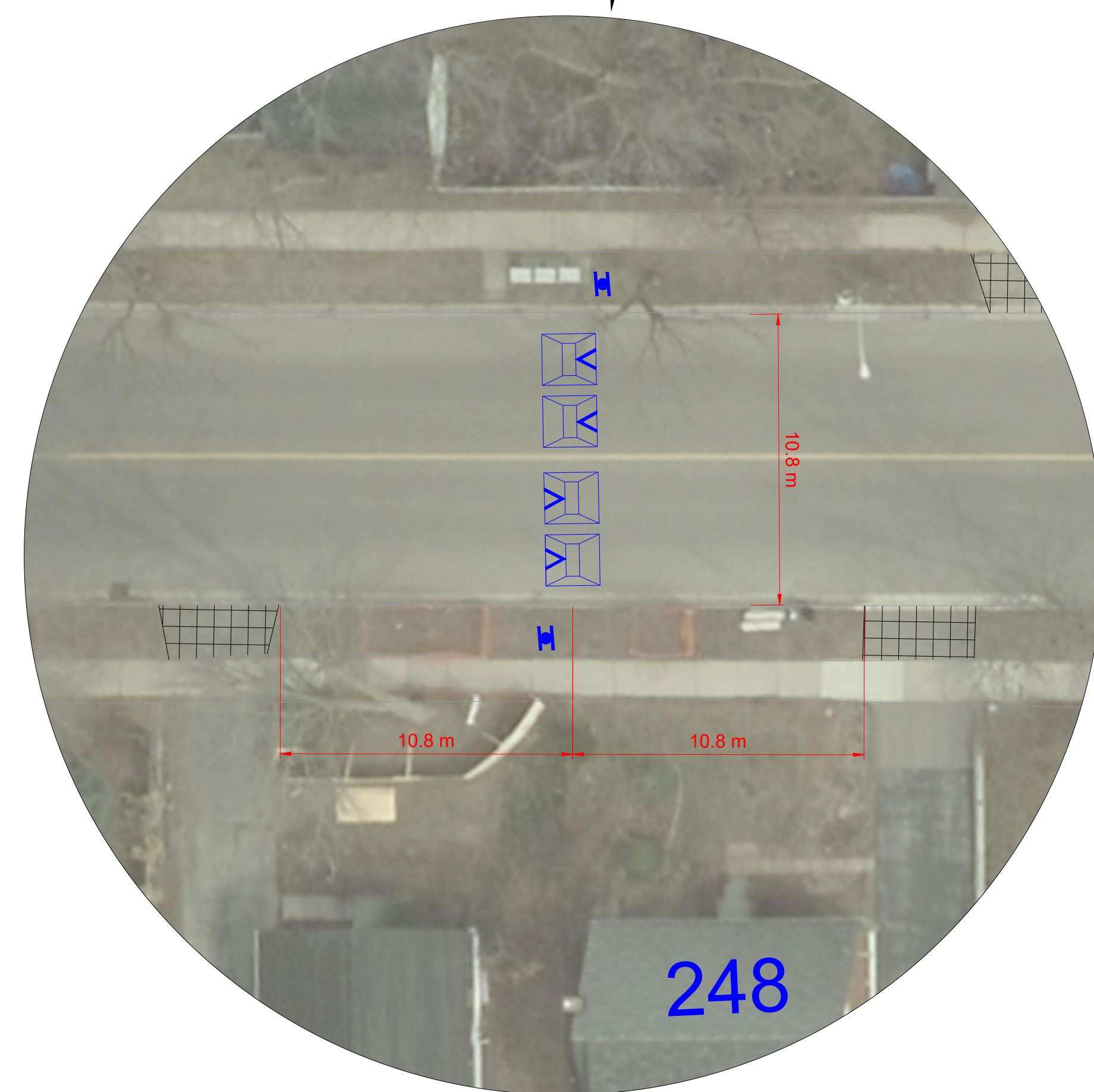
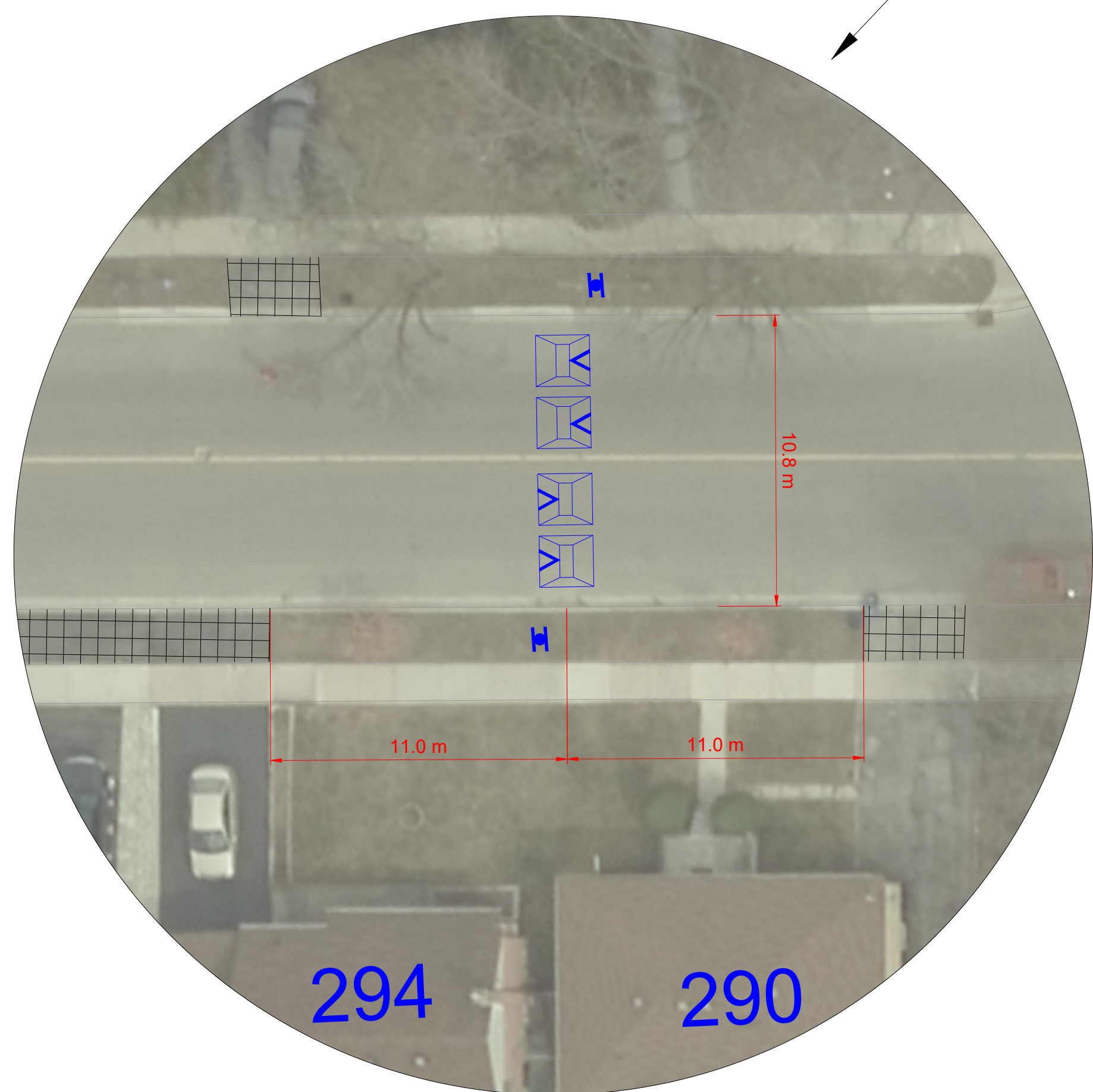
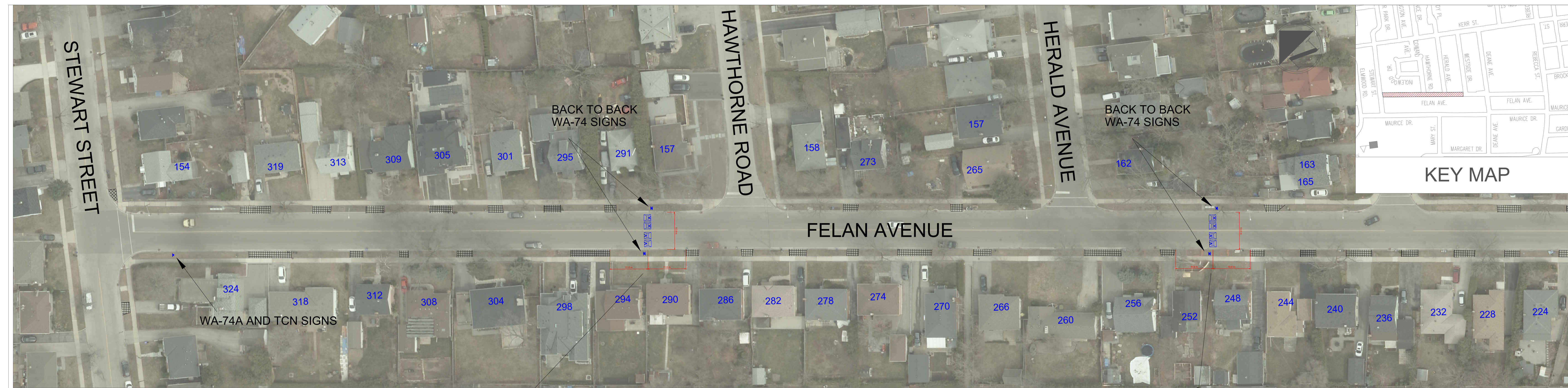
Felan Avenue

From Stewart Street to Rebecca Street

Transportation and Engineering Department

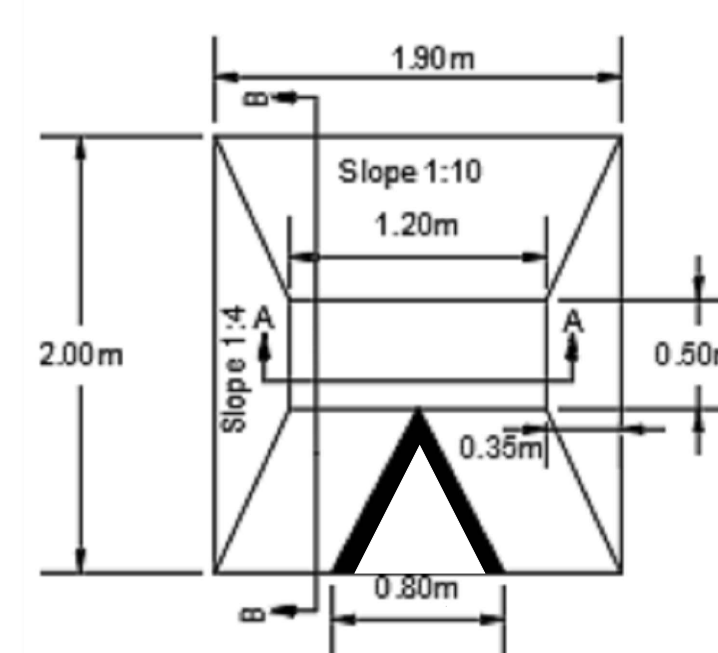
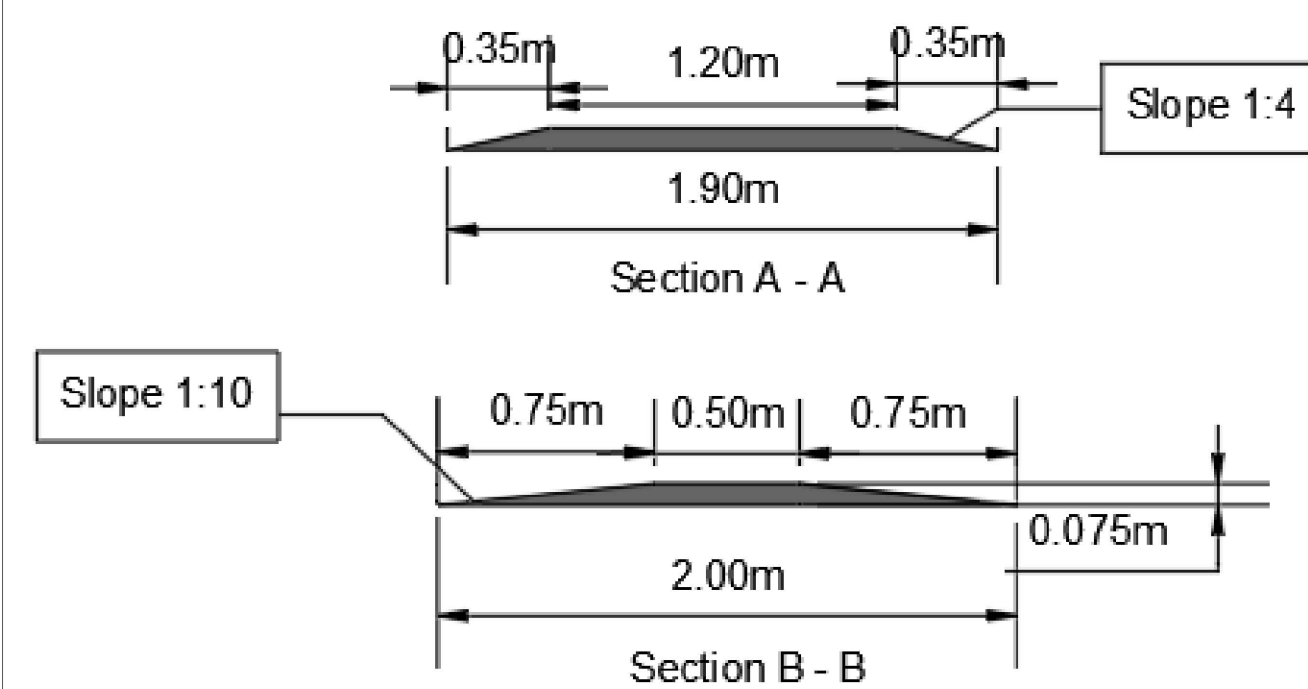
Contract No.

Drawing No. Sheet 1 of 2

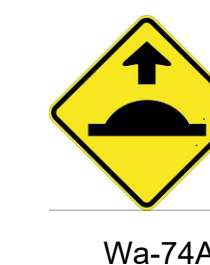
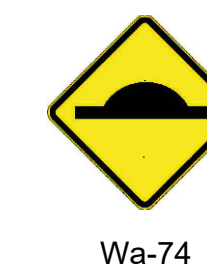


NOTES

- 1) DRAWING SCALE IS 1:500, SPEED CUSHION DETAILS SHOWN IN CIRCULAR VIEWS AND KEY MAP ARE NOT TO SCALE.
- 2) PRECISE LOCATION OF PROPOSED INFRASTRUCTURE TO BE DETERMINED AT CONSTRUCTION STAGE.



Legend:



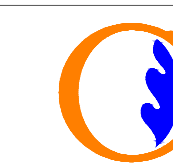
SCALE: 1:500

REVISION: 2

DRAWN BY: RC

CHECKED BY: JM

DATE: MAR 23, 2026



OAKVILLE

Traffic Calming Design

Felan Avenue

From Stewart Street to Rebecca Street

Transportation and Engineering Department

Contract No.

Drawing No. Sheet 2 of 2