

- ### LEGEND
- PROPERTY LINE
 - EXISTING 1.5M WIDE SIDEWALK
 - EXISTING 3.0M WIDE MULTI-USE BIKE PATH
 - EXISTING PEDESTRIAN TRAIL WITHIN THE SIXTEEN MILE CREEK VALLEY LANDS
 - PROPOSED 1.5M WIDE SIDEWALK CONNECTION
 - ⊗ PROPOSED BIKE PARKING
 - ⊗ PROPOSED BIKE PARKING
 - DECIDUOUS TREE PLANTING
REFER TO LANDSCAPE PLAN
 - ⊗ CONIFEROUS TREE PLANTING
REFER TO LANDSCAPE PLAN
 - ⊗ DECIDUOUS SHRUBS PLANTING (SMALL)
REFER TO LANDSCAPE PLAN
 - ⊗ CONIFEROUS SHRUBS PLANTING (SMALL)
REFER TO LANDSCAPE PLAN
 - ⊗ BROADLEAF EVERGREEN SHRUBS PLANTING
REFER TO LANDSCAPE PLAN
 - ⊗ SHRUB OR PERENNIAL PLANTING
REFER TO LANDSCAPE PLAN
 - EXISTING DECIDUOUS TREE TO REMAIN
REFER TO TREE INVENTORY AND PRESERVATION PLAN PREPARED BY KUNZ FORESTRY CONSULTING INC.
 - ⊗ EXISTING CONIFEROUS TREE TO REMAIN
REFER TO TREE INVENTORY AND PRESERVATION PLAN PREPARED BY KUNZ FORESTRY CONSULTING INC.
 - EXISTING TREE POLYGON TO REMAIN
REFER TO TREE INVENTORY AND PRESERVATION PLAN PREPARED BY KUNZ FORESTRY CONSULTING INC.
 - LUMINAIRES
REFER TO LIGHTING PLAN PREPARED BY SALEX INC.

Base Information

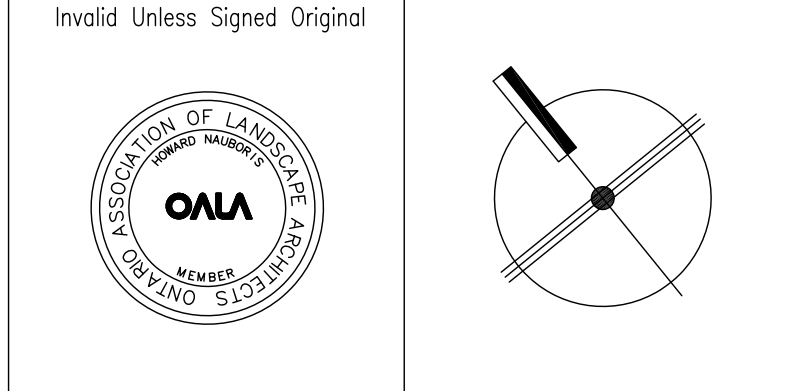
Architectural base information received in digital format from Icke Brochu Architects Inc., Project No. 17.23, Drawing No. A301 dated and received October 26, 2022.

Grading and servicing information received in digital format from R.V. Anderson Associates Limited, Project No. 195028, drawings dated and received October 5, 2022.

Lighting plan received in digital format from Saalex Inc., Project No. A22178, drawings dated and received October 1, 2022.

1	Issued for SPA	MB	22	10	27	
No	Revision		By	Yr	Mo	Da

All drawings and designs are the property of Cosburn Nauboris Limited and may not be used or reproduced without permission. This drawing must not be scaled.



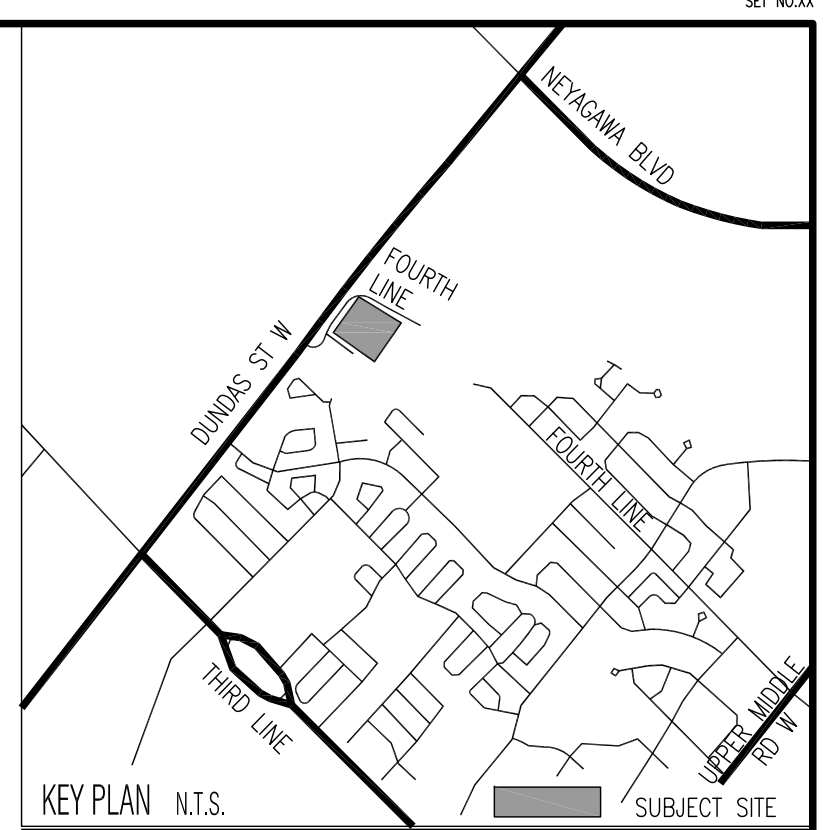
cosburn nauboris LTD
 landscape architects
 OAKVILLE SENIOR RESIDENCE
 1280 DUNDAS STREET W
 TOWN OF OAKVILLE
 DELMANOR WEST OAK INC.

20 crown street dr. suite 2 markham, on L3R 9V9
 1 905 940 4443
 cosburnnauboris.ca

PEDESTRIAN CIRCULATION PLAN

Drawn by	MB	Scale	1:500
Checked by	HN	Plot Date	2022-10-27
Approved by	HN	Project	2316

L2
Drawing No.



LEGEND

- PROPERTY LINE
- CHAIN LINK FENCE
- DECORATIVE METAL FENCE
- UNIT CONCRETE PAVING
- ASPHALT PAVING
- CONCRETE PAVING
- PROTECTIVE SURFACING
- SOO PLANTING
- TREE CANOPY COVER INCLUDED IN CALCULATIONS
- DECIDUOUS TREE PLANTING
REFER TO LANDSCAPE PLAN
LIMIT OF SOIL CELLS BELOW
- CONIFEROUS TREE PLANTING
REFER TO LANDSCAPE PLAN
- DECIDUOUS SHRUBS PLANTING (SMALL)
REFER TO LANDSCAPE PLAN
- CONIFEROUS SHRUBS PLANTING (SMALL)
REFER TO LANDSCAPE PLAN
- BROADLEAF EVERGREEN SHRUBS PLANTING
REFER TO LANDSCAPE PLAN
- SHRUB OR PERENNIAL PLANTING
REFER TO LANDSCAPE PLAN
- EXISTING DECIDUOUS TREE TO REMAIN
REFER TO TREE INVENTORY AND PRESERVATION PLAN
PREPARED BY KINZIG FORESTRY CONSULTING INC.
- EXISTING CONIFEROUS TREE TO REMAIN
REFER TO TREE INVENTORY AND PRESERVATION PLAN
PREPARED BY KINZIG FORESTRY CONSULTING INC.
- EXISTING TREE POLYGON TO REMAIN
REFER TO TREE INVENTORY AND PRESERVATION PLAN
PREPARED BY KINZIG FORESTRY CONSULTING INC.
- LUMINAIRES
REFER TO LIGHTING PLAN PREPARED BY SALEY INC.

Base Information

Architectural base information received in digital format from Icke Brochu Architects Inc., Project No.17.23, Drawing No. A301 dated and received October 26, 2022.

Grading and servicing information received in digital format from R.V. Anderson Associates Limited, Project No. 195028, drawings dated and received October 5, 2022.

Lighting plan received in digital format from Salex Inc., Project No. A22178, drawings dated and received October 1, 2022.

No	Revision	By	Yr Mo Da
1	Issued for SPA	MB	22 10 27

All drawings and designs are the property of Cosburn Nauboris Limited and may not be used or reproduced without permission. This drawing must not be scaled.

Invalid Unless Signed Original

cosburn nauboris LTD
landscape architects
1280 DUNDAS STREET W
TOWN OF OAKVILLE
DELMANOR WEST OAK INC.

20 crown steel dr. suite 2
markham, on L3R 9V9
1 905 940 4443
cosburnnauboris.ca

CANOPY COVER PLAN

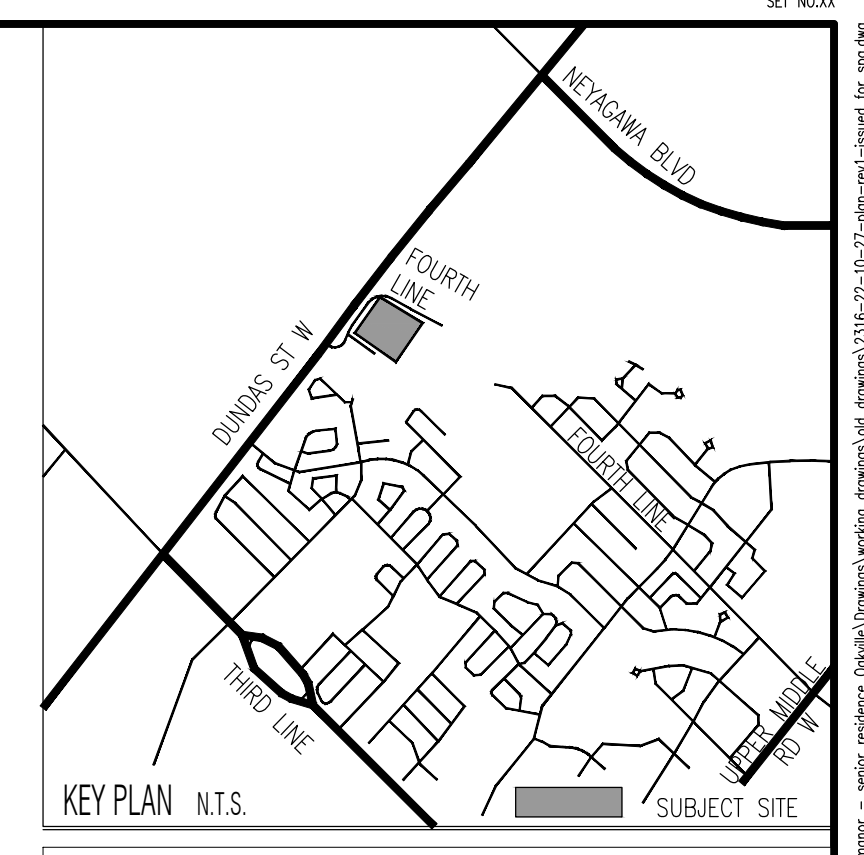
Drawn by	MB	Scale	1:500
Checked by	HN	Plot Date	2022-10-27
Approved by	HN	Project	2316

L3
Drawing No.



KNOWN AS FOURTH LINE ROAD TRAVELLED ROAD

NOTE: REFER TO DRAWING L4 FOR CANOPY CALCULATION CHART



CANOPY CALCULATION CHART

FILE NUMBER
FILE NAME Delmanor West Oak
CANOPY COVER TARGET 25% (based on land use)

Table with columns: Tree #, Species, Stature (S,M,L), Soil Volume per Tree (m3), Canopy Area (m2), Canopy Area Sub-total (m3). Lists trees P1 through P68 with their respective species and measurements.

Table with columns: Tree #, Species, Stature (S,M,L), Soil Volume per Tree (m3), Canopy Area (m2), Canopy Area Sub-total (m3). Lists trees P69 through P140 with their respective species and measurements.

Summary table for canopy calculation. Columns: Tree #, Species, Stature (S,M,L), Soil Volume per Tree (m3), Canopy Area (m2), Canopy Area Sub-total (m3). Includes subtotals for Proposed Canopy (9,190.03), Existing Canopy on Site [4] (4,382.15), Existing Canopy Overhanging Site [4] (6,573.22), and Total # of Trees (252).

Revision table with columns: No, Revision, Issued for SPA, MB, 22, 10, 27, By, Yr, Mo, Da.

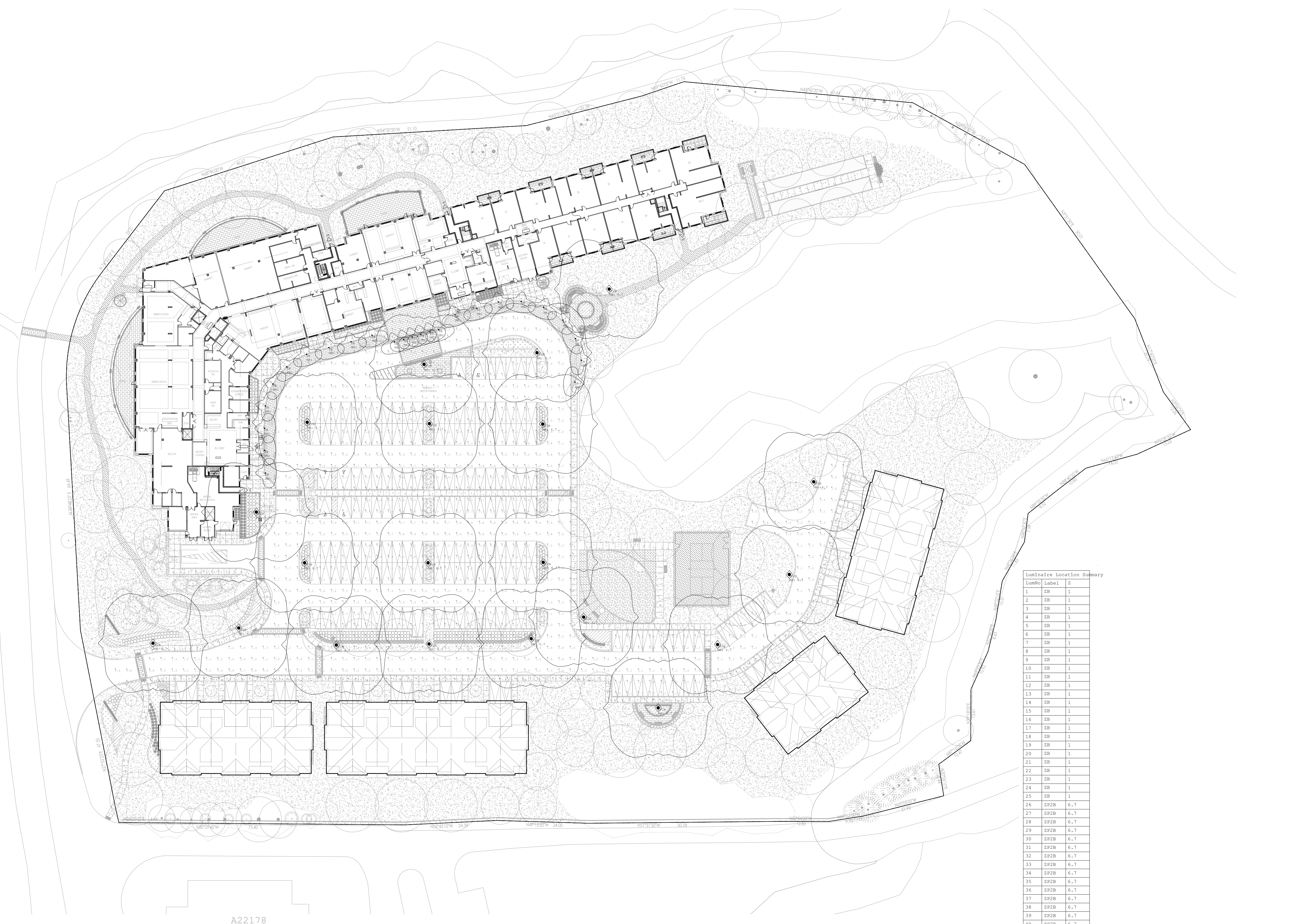
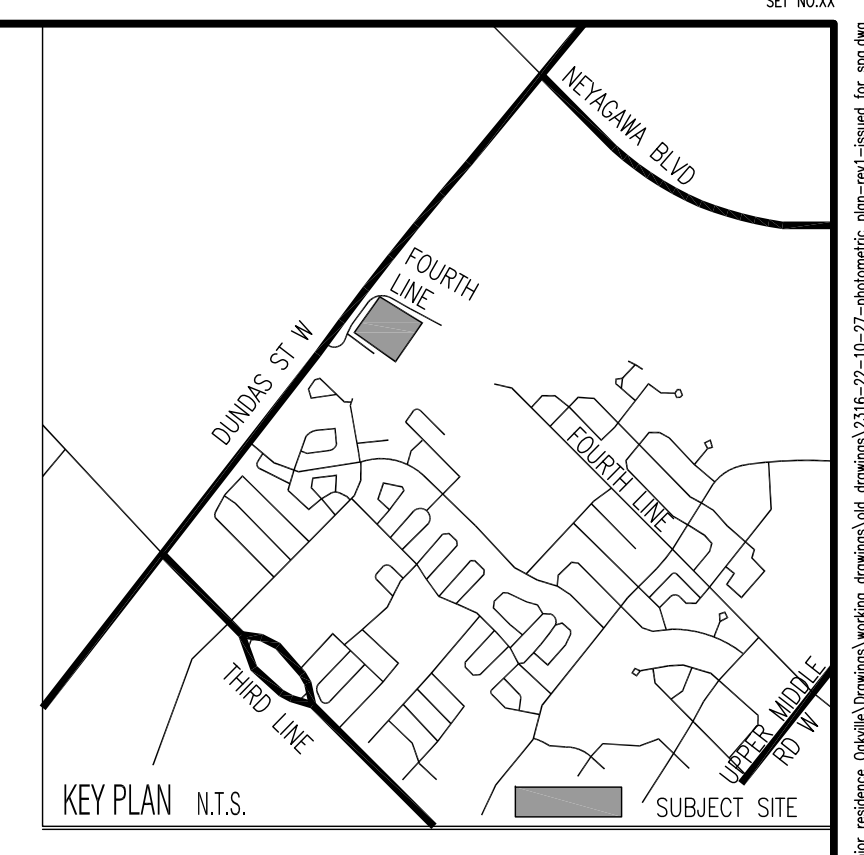
All drawings and designs are the property of Cosburn Nauboris Limited and may not be used or reproduced without permission. This drawing must not be scaled.

Professional seal of the Association of Landscape Architects (OLA) and a north arrow.

cosburn nauboris LTD logo and contact information: 1280 DUNDAS STREET W, TOWN OF OAKVILLE, DELMANOR WEST OAK INC.

CANOPY CALCULATION CHART

Drawn by MB, Scale, Checked by HN, Plot Date 2022-10-27, Approved by HN, Project 2316, Drawing No. L4



LumNo	Label	Q
1	2B	1
2	2B	1
3	2B	1
4	2B	1
5	2B	1
6	2B	1
7	2B	1
8	2B	1
9	2B	1
10	2B	1
11	2B	1
12	2B	1
13	2B	1
14	2B	1
15	2B	1
16	2B	1
17	2B	1
18	2B	1
19	2B	1
20	2B	1
21	2B	1
22	2B	1
23	2B	1
24	2B	1
25	2B	1
26	2P2B	6.7
27	2P2B	6.7
28	2P2B	6.7
29	2P2B	6.7
30	2P2B	6.7
31	2P2B	6.7
32	2P2B	6.7
33	2P2B	6.7
34	2P2B	6.7
35	2P2B	6.7
36	2P2B	6.7
37	2P2B	6.7
38	2P2B	6.7
39	2P2B	6.7
40	2P2B	6.7
41	2P2B	6.7
42	2P2B	6.7
43	2P2B	6.7
44	2P2B	6.7
45	2P2B	6.7

A22178


Symbol	Qty	Label	Arrangement	Lum. Lumen	Lum. Watts	LLF	Description	[MANUFAC]
●	20	2P2B	SINGLE	10237	105.4	0.900	MPTC-108W48LED4K-02-1.25 pole 20"	STIGNIFY LIMEC
○	25	2B	SINGLE	1608	17.7	0.900	PBL-141-350-NM-02-3-URV	STIGNIFY GARDCO

Label	CalcType	Units	Avg	Max	Min	Avg/Min	Max/Min
Blgd front walkway	Illuminance	Fc	1.63	25.6	0.0	N.A.	N.A.
Parking & driveway	Illuminance	Fc	1.37	35.6	0.5	2.74	71.20
Walkway East-North	Illuminance	Fc	1.15	1.4	0.5	2.30	2.80
Walkway South	Illuminance	Fc	0.95	1.6	0.4	2.38	4.00

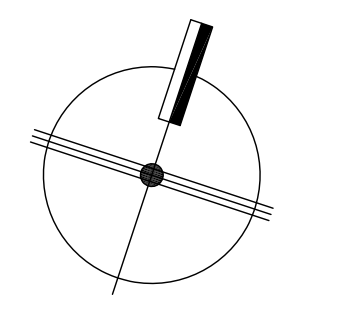
1	Issued for SPA	MB	22	10	27
No	Revision	By	Yr	Mo	Da

All drawings and designs are the property of Cosburn Nauboris Limited and may not be used or reproduced without permission. This drawing must not be scaled.

Photometric Plan Prepared by:



435 Finchdene Sq.
 Scarborough, ON M1X 1B7
 www.salex.ca
 416-293-2290



cosburn nauboris LTD
 landscape architects
 1280 DUNDAS STREET W
 TOWN OF OAKVILLE
 DELMANOR WEST OAK INC.

20 crown street dr. suite 2
 markham, on L3R 9R9
 1 905 940 4443
 cosburnnauboris.ca

LIGHTING AND PHOTOMETRIC PLAN

Drawn by	MB	Scale	1:500
Checked by	HN	Plot Date	2022-10-27
Approved by	HN	Project	2316

LP1
 Drawing No.

UNIT CONCRETE PAVING (1 LDT)

cosburn nauboris LTD
landscape architects
DATE: 22.09.22 SCALE: 1:25
PROJECT: 2316delmanor oakville

POURED CONCRETE PAVING (3 LDT)

cosburn nauboris LTD
landscape architects
DATE: 22.09.22 SCALE: 1:25
PROJECT: 2316delmanor oakville

POURED CONCRETE PLAYGROUND RAMP (3 LDT)

cosburn nauboris LTD
landscape architects
DATE: 22.10.06 SCALE: AS SHOWN
PROJECT: 2316delmanor oakville

FLUSH - POURED CONCRETE CURB (6 LDT)

cosburn nauboris LTD
landscape architects
DATE: 22.09.22 SCALE: 1:25
PROJECT: 2316delmanor oakville

ASPHALT PAVING - LIGHT DUTY (2 LDT)

cosburn nauboris LTD
landscape architects
DATE: 22.09.22 SCALE: 1:25
PROJECT: 2316delmanor oakville

CONCRETE JOINTS (4 LDT)

cosburn nauboris LTD
landscape architects
DATE: 22.09.22 SCALE: 1:10
PROJECT: 2316delmanor oakville

LOW PLANTER - POURED CONCRETE CURB (7 LDT)

cosburn nauboris LTD
landscape architects
DATE: 22.09.22 SCALE: 1:25
PROJECT: 2316delmanor oakville

POURED CONCRETE PLANTER (8 LDT)

cosburn nauboris LTD
landscape architects
DATE: 22.09.22 SCALE: 1:10
PROJECT: 2316delmanor oakville

CONCRETE SIDEWALK RAMPS TACTILE WALKING SURFACE INDICATORS COMPONENT (9 LDT)

ONTARIO PROVINCIAL STANDARD DRAWING
Nov 2019 Rev 1
OPSD 310.039

1	Issued for SPA	MB	22 10 27
No	Revision	By	Yr Mo Da

All drawings and designs are the property of Cosburn Nauboris Limited and may not be used or reproduced without permission. This drawing must not be scaled.

Invalid Unless Signed Original

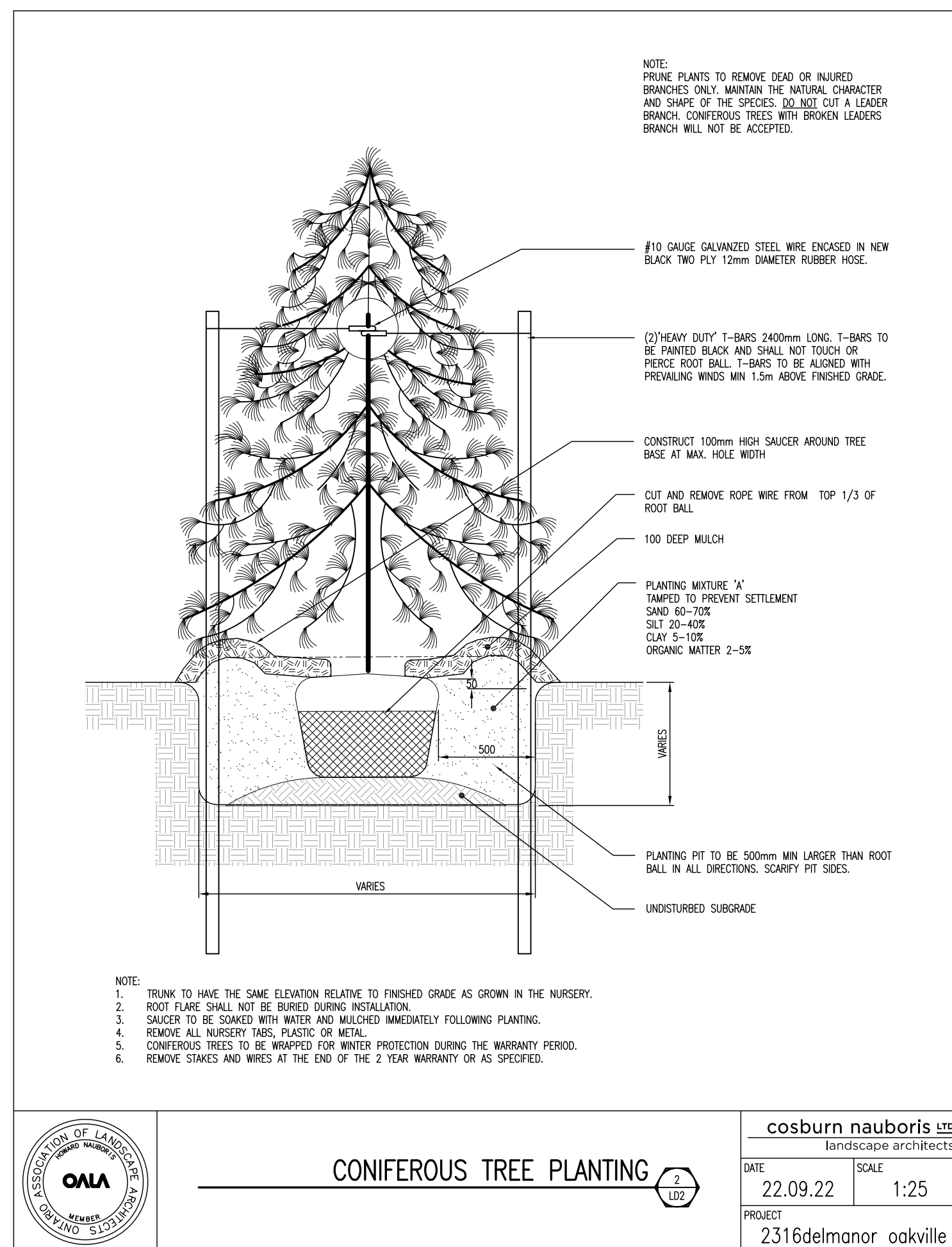
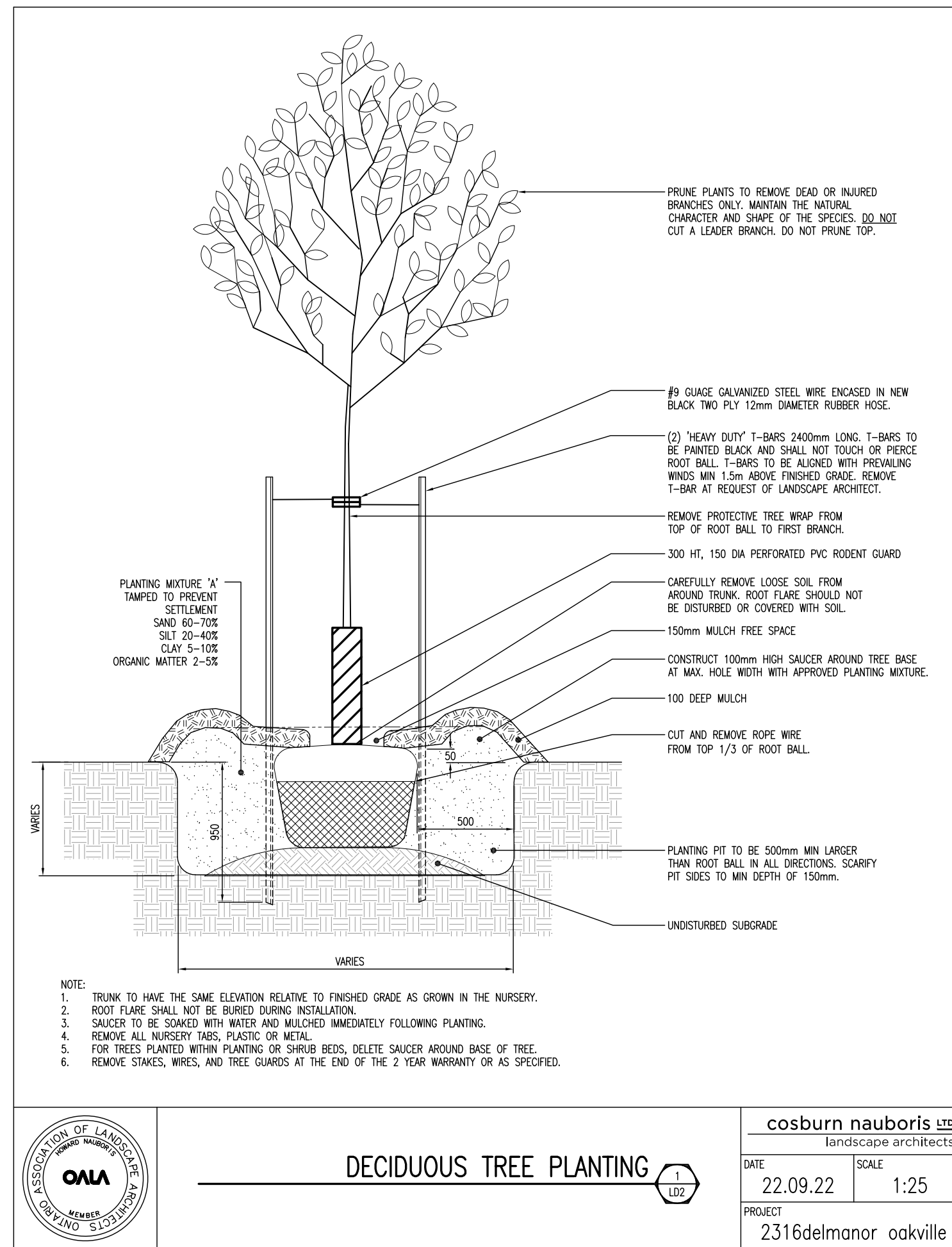
cosburn nauboris LTD
landscape architects
20 crown steel dr. suite 2
markham, on L3R 9A9
1 905 940 4443
cosburnnauboris.ca

OAKVILLE SENIOR RESIDENCE
1280 DUNDAS STREET W
TOWN OF OAKVILLE
DELMANOR WEST OAK INC.

DETAILS

Drawn by	MB	Scale	AS SHOWN
Checked by	HN	Plot Date	2022-10-27
Approved by	HN	Project	2316

LD1
Drawing No.



PLANT LIST
DECIDUOUS TREES

KEY	QTY.	BOTANICAL NAME	COMMON NAME	CAL. (mm)	HT. (cm)	SPREAD (cm)	ROOTS	REMARKS
AF60	7	<i>Acer x freemanii 'Armstrong'</i>	Armstrong Maple	60	-	-	WB	S
AR60	6	<i>Acer rubrum</i>	Red Maple	60	-	-	WB	L, native
CO60	12	<i>Celtis occidentalis</i>	Hockberry	60	-	-	WB	L, native
CR60	15	<i>Gingko biloba 'Princeton Sentry'</i>	Princeton Sentry Ginkgo	60	-	-	WB	S
CTK60	9	<i>Clethra tricuspidata 'Skyline'</i>	Skyline Honeylocust	60	-	-	WB	M
LI60	9	<i>Liriodendron tulipifera</i>	Tulip Tree	60	-	-	WB	L, native
OV60	15	<i>Ostrya virginiana</i>	Ironwood	60	-	-	WB	S
PH60	15	<i>Platanus x acerifolia 'Bloodgood'</i>	Bloodgood London Planetree	60	-	-	WB	M
PC60	8	<i>Pyrus calleryana 'Olen's Form'</i>	Charicleer Ornamental Pear	60	-	-	WB	S
PCR60	5	<i>Pyrus calleryana 'Redspire'</i>	Redspire Ornamental Pear	60	-	-	WB	S
QM60	5	<i>Quercus macrocarpa</i>	Bur Oak	60	-	-	WB	M, native
ORU60	9	<i>Quercus rubra</i>	Red Oak	60	-	-	WB	L, native
SR60	4	<i>Syringa reticulata 'Ivory Silk'</i>	Ivory Silk Tree Lilac	60	-	-	WB	S
TA60	12	<i>Tilia americana</i>	Basswood	60	-	-	WB	M, native
ZSG60	11	<i>Zelkova serrata 'Green Vase'</i>	Green Vase Zelkova	60	-	-	WB	M
	142	Total						

CONIFEROUS TREES

PC200	3	<i>Picea glauca</i>	White Spruce	-	200	-	WB	native
PPC200	6	<i>Picea pungens 'Glauca'</i>	Colorado Blue Spruce	-	200	-	WB	-
PSY200	5	<i>Pinus sylvestris</i>	Scots Pine	-	200	-	WB	-
	14	Total						

DECIDUOUS SHRUBS

HA60	111	<i>Hydrangea arborescens 'Annabelle'</i>	Annabelle Hydrangea	-	60	40	3 gal. pot	-
PF60	200	<i>Potentilla fruticosa 'Goldfinger'</i>	Goldfinger Potentilla	-	60	30	3 gal. pot	-
RA60	84	<i>Rhus aromatica 'Cora-Low'</i>	Dwarf Fragrant Sumac	-	60	40	3 gal. pot	-
SB60	71	<i>Spiraea x bumalda 'Anthony Waterer'</i>	Anthony Waterer Spiraea	-	60	30	3 gal. pot	-
SB60	54	<i>Spiraea x bumalda 'Goldflame'</i>	Goldflame Spiraea	-	60	30	3 gal. pot	-

CONIFEROUS SHRUBS

TM050	165	<i>Taxus x media 'Densiformis'</i>	Dense Yew	-	-	50	CG / FP	-
-------	-----	------------------------------------	-----------	---	---	----	---------	---

BROADLEAF EVERGREEN SHRUBS

BM040	47	<i>Buxus microphylla 'Green Mountain'</i>	Green Mountain Boxwood	-	-	40	CG / FP	-
EFC50	19	<i>Euonymus fortunei 'Coloratus'</i>	Coloratus Euonymus	-	-	50	CG / FP	-

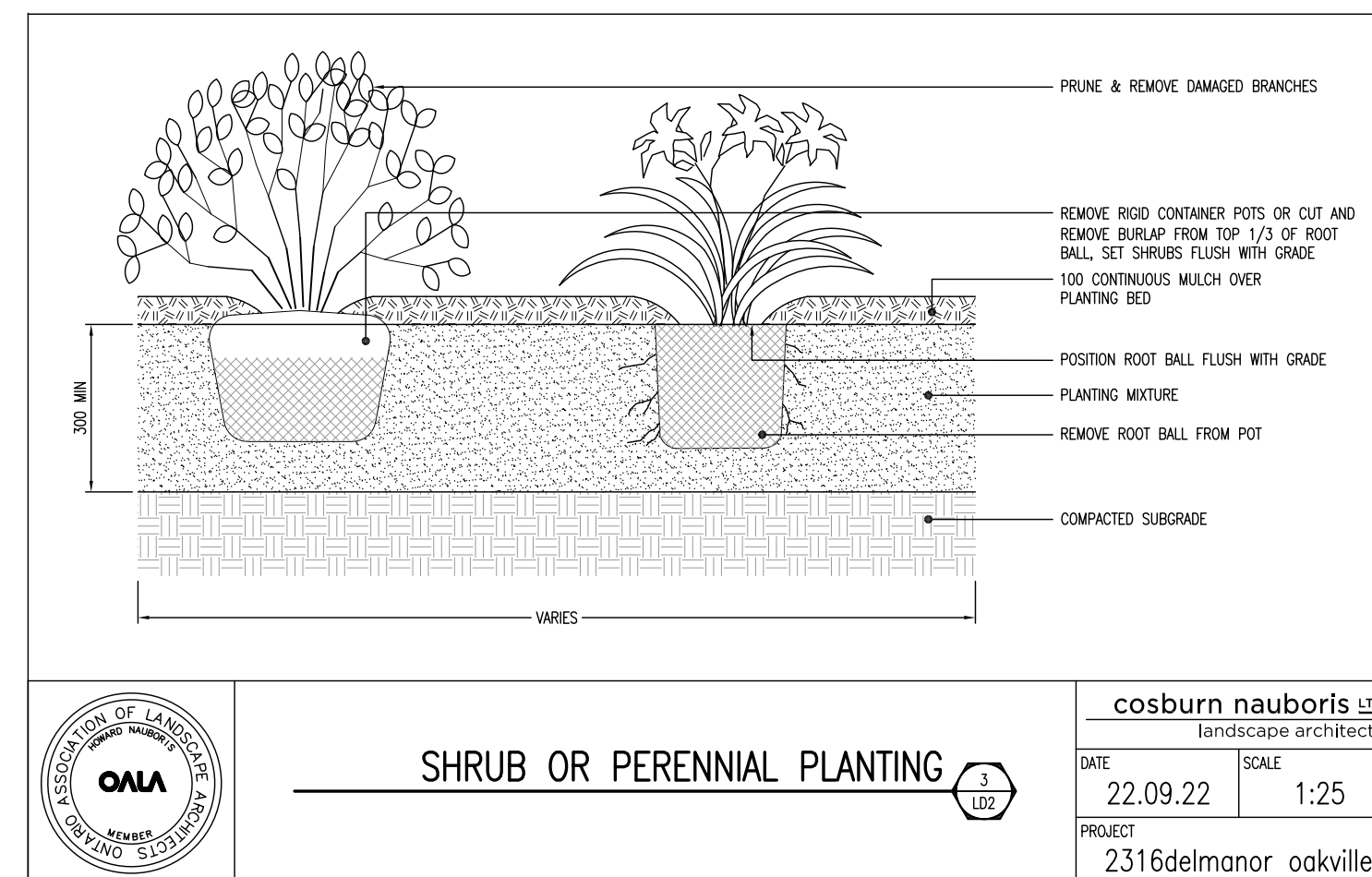
PERENNIALS AND GROUNDCOVERS

GMA	172	<i>Ceranium maculatum</i>	Wild Ceranium	-	-	-	1 gal. pot	-
HSD	466	<i>Hemerocallis 'Stella D'Oro'</i>	Stella D'Oro Daylily	-	-	-	1 gal. pot	-
PAT	60	<i>Perovskia atriplicifolia</i>	Russian Sage	-	-	-	1 gal. pot	-

GRASSES

CKF	444	<i>Calamagrostis x 'Karl Foerster'</i>	Feather Reed Grass	-	-	-	1 gal. pot	-
PVO	100	<i>Panicum virgatum 'Rotschuhbusch'</i>	Rotschuhbusch Switch Grass	-	-	-	1 gal. pot	-

S - SMALL STATURE (3-9m MATURE SPREAD) M - MEDIUM STATURE (10-13m MATURE SPREAD) L - LARGE STATURE (14m+ MATURE SPREAD)
WB - WIRE BASKET CG - CONTAINER GROWN FP - FIELD POTTED pot - POT GROWN



1	Issued for SPA	MB	22 10 27
No	Revision	By	Yr Mo Da
All drawings and designs are the property of Cosburn Nauboris Limited and may not be used or reproduced without permission. This drawing must not be scaled.			
Invalid Unless Signed Original			
			20 crown steel dr. suite 2 markham, on L3 9A9 1 905 940 4443 cosburnnauboris.ca
cosburn nauboris LTD landscape architects			
OAKVILLE SENIOR RESIDENCE 1280 DUNDAS STREET W TOWN OF OAKVILLE DELMANOR WEST OAK INC.			
DETAILS			
Drawn by	MB	Scale	AS SHOWN
Checked by	HN	Plot Date	2022-10-27
Approved by	HN	Project	2316
			LD2
			Drawing No.