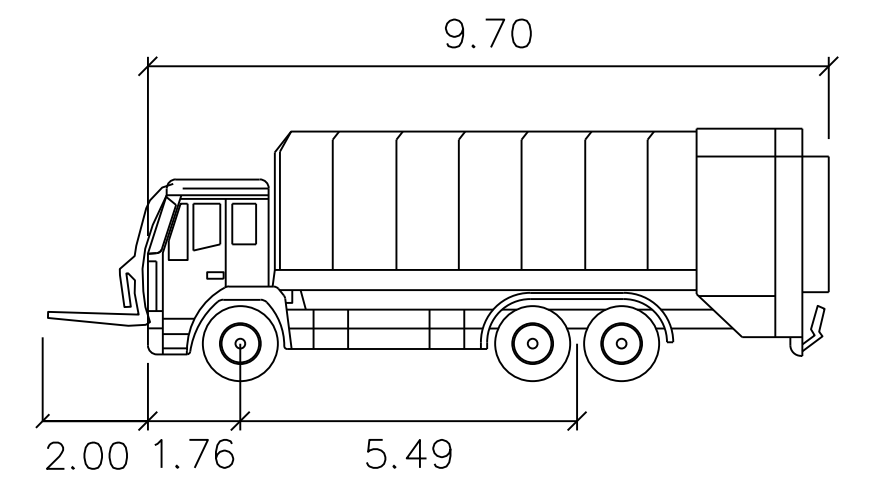


**VEHICLE PROFILE**



**HALTON FL GT**

	meters
Width	: 2.70
Track	: 2.70
Lock to Lock Time	: 6.0
Steering Angle	: 35.3

1. THIS DRAWING IS THE EXCLUSIVE PROPERTY OF C.F. CROZIER & ASSOCIATES INC. AND THE REPRODUCTION OF ANY PART WITHOUT PRIOR WRITTEN CONSENT OF THIS OFFICE IS STRICTLY PROHIBITED.
2. THE CONTRACTOR SHALL VERIFY ALL DIMENSIONS, LEVELS, AND DATUMS ON SITE AND REPORT ANY DISCREPANCIES OR OMISSIONS TO THIS OFFICE PRIOR TO CONSTRUCTION.
3. THIS DRAWING IS TO BE READ AND UNDERSTOOD IN CONJUNCTION WITH ALL OTHER PLANS AND DOCUMENTS APPLICABLE TO THIS PROJECT.
4. DO NOT SCALE THE DRAWINGS.
5. ALL EXISTING UNDERGROUND UTILITIES TO BE VERIFIED IN THE FIELD BY THE CONTRACTOR PRIOR TO CONSTRUCTION.

No.	ISSUE	DATE: MMM/DD/YYYY
0	ISSUED FOR REVIEW	05/03/2022
1	ISSUED FOR SUBMISSION	08/26/2022

**PRELIMINARY**  
NOT TO BE USED FOR CONSTRUCTION

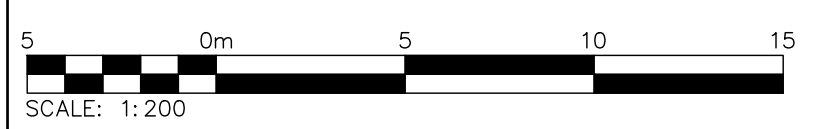
Project  
**349 DAVIS ROAD  
TOWN OF OAKVILLE**

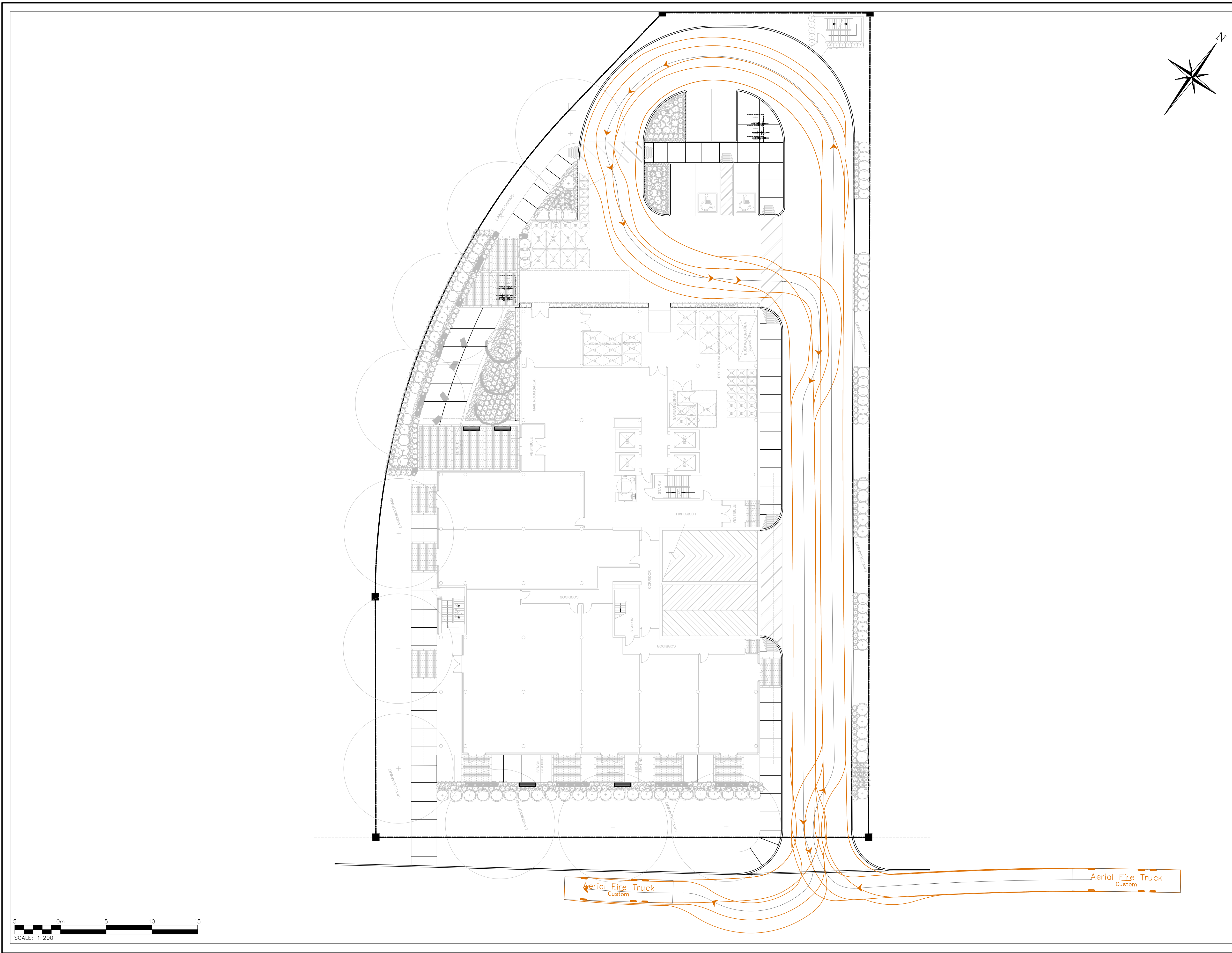
Drawing  
**SITE CIRCULATION DIAGRAM  
GARBAGE TRUCK**

**CROZIER**  
CONSULTING ENGINEERS

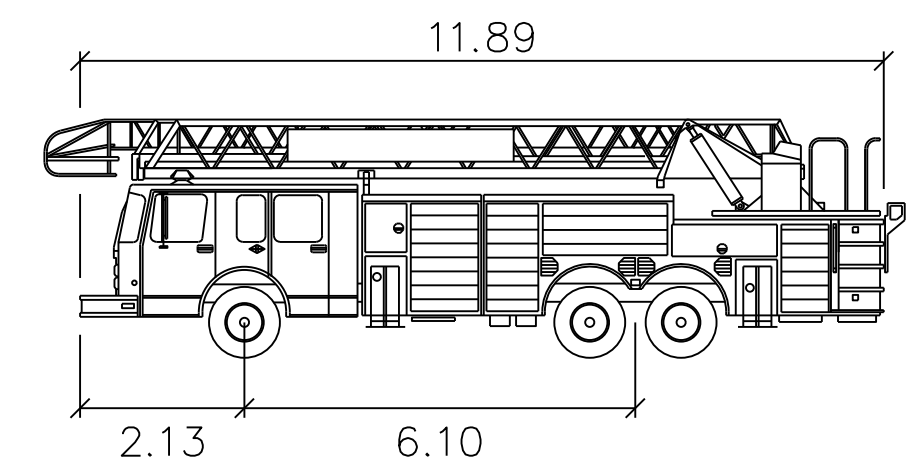
211 YONGE STREET  
SUITE 600  
TORONTO, ON, M5B 1M4  
416-477-3392 T  
WWW.CFCROZIER.CA  
INFO@CFCROZIER.CA

Drawn By	R.L.	Design By	Project	<b>2259-6324</b>
Check By	A.H.	Check By	Scale	1:200 Drawing
				<b>T300</b>





**VEHICLE PROFILE**



Aerial Fire Truck

	meters
Width	: 2.49
Track	: 2.49
Lock to Lock Time	: 5.0
Steering Angle	: 45.0

1. THIS DRAWING IS THE EXCLUSIVE PROPERTY OF C.F. CROZIER & ASSOCIATES INC. AND THE REPRODUCTION OF ANY PART WITHOUT PRIOR WRITTEN CONSENT OF THIS OFFICE IS STRICTLY PROHIBITED.
2. THE CONTRACTOR SHALL VERIFY ALL DIMENSIONS, LEVELS, AND DATUMS ON SITE AND REPORT ANY DISCREPANCIES OR OMISSIONS TO THIS OFFICE PRIOR TO CONSTRUCTION.
3. THIS DRAWING IS TO BE READ AND UNDERSTOOD IN CONJUNCTION WITH ALL OTHER PLANS AND DOCUMENTS APPLICABLE TO THIS PROJECT.
4. DO NOT SCALE THE DRAWINGS.
5. ALL EXISTING UNDERGROUND UTILITIES TO BE VERIFIED IN THE FIELD BY THE CONTRACTOR PRIOR TO CONSTRUCTION.

No.	ISSUE	DATE: MMM/DD/YYYY
0	ISSUED FOR REVIEW	05/03/2022
1	ISSUED FOR SUBMISSION	08/26/2022

**PRELIMINARY**  
NOT TO BE USED FOR CONSTRUCTION

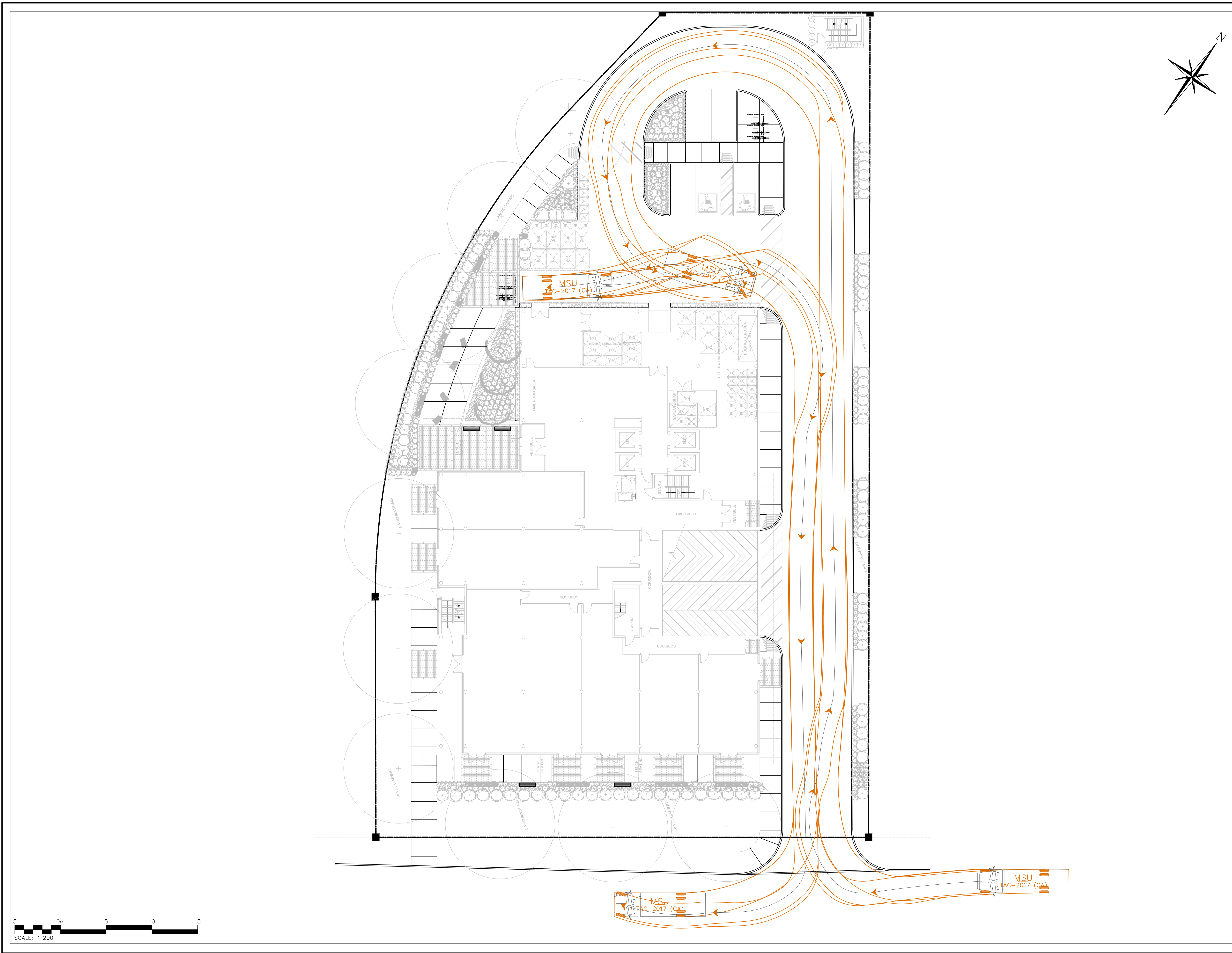
Project  
**349 DAVIS ROAD  
TOWN OF OAKVILLE**

Drawing  
**SITE CIRCULATION DIAGRAM  
AERIAL FIRE TRUCK**

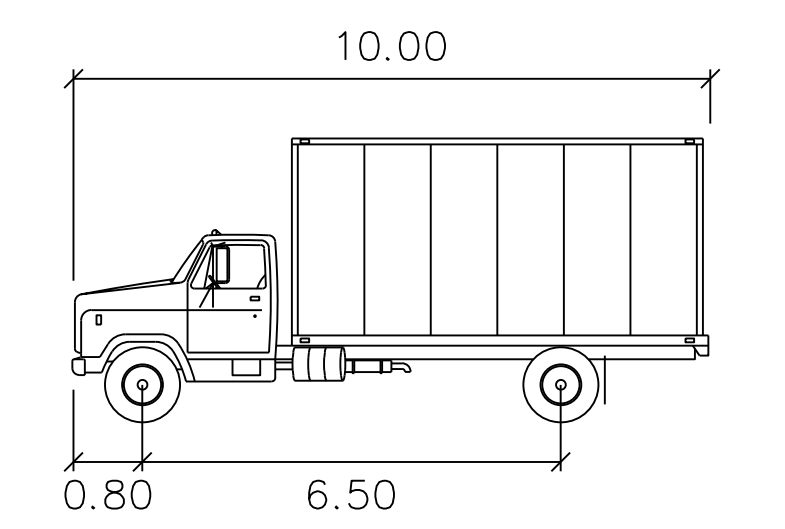
**CROZIER**  
CONSULTING ENGINEERS

211 YONGE STREET  
SUITE 600  
TORONTO, ON, M5B 1M4  
416-477-3392 T  
WWW.CFCROZIER.CA  
INFO@CFCROZIER.CA

Drawn By	T.K.	Design By		Project	<b>2259-6324</b>
Check By	A.H.	Check By		Scale	1:200
				Drawing	<b>T301</b>



**VEHICLE PROFILE**



MSU meters

Width : 2.60  
 Track : 2.60  
 Lock to Lock Time : 6.0  
 Steering Angle : 40.2

1. THIS DRAWING IS THE EXCLUSIVE PROPERTY OF C.F. CROZIER & ASSOCIATES INC. AND THE REPRODUCTION OF ANY PART WITHOUT PRIOR WRITTEN CONSENT OF THIS OFFICE IS STRICTLY PROHIBITED.
2. THE CONTRACTOR SHALL VERIFY ALL DIMENSIONS, LEVELS, AND DATUMS ON SITE AND REPORT ANY DISCREPANCIES OR OMISSIONS TO THIS OFFICE PRIOR TO CONSTRUCTION.
3. THIS DRAWING IS TO BE READ AND UNDERSTOOD IN CONJUNCTION WITH ALL OTHER PLANS AND DOCUMENTS APPLICABLE TO THIS PROJECT.
4. DO NOT SCALE THE DRAWINGS.
5. ALL EXISTING UNDERGROUND UTILITIES TO BE VERIFIED IN THE FIELD BY THE CONTRACTOR PRIOR TO CONSTRUCTION.

No.	ISSUE	DATE: MMM/DD/YYYY
0	ISSUED FOR REVIEW	05/03/2022
1	ISSUED FOR SUBMISSION	08/26/2022

**PRELIMINARY**  
NOT TO BE USED FOR CONSTRUCTION

Project  
**349 DAVIS ROAD**  
**TOWN OF OAKVILLE**

Drawing  
**SITE CIRCULATION DIAGRAM**  
**MEDIUM SINGLE UNIT**

**CROZIER** CONSULTING ENGINEERS

211 YONGE STREET  
 SUITE 600  
 TORONTO, ON, M5B 1M4  
 416-477-3392 T  
 WWW.CFCROZIER.CA  
 INFO@CFCROZIER.CA

Drawn By	R.L.	Design By	Project	<b>2259-6324</b>
Check By	A.H.	Check By	Scale	1:200 Drawing
				<b>T302</b>

