

n Architecture Inc

PRINCIPAL: NITIN MALHOTRA, ARCHITECT.  
9120 Leslie Street, Suite-208  
Richmond Hill, Ontario. L4B 3J9  
T : 4 1 6 . 2 5 6 . 9 7 4 1  
E: info@narchitecture.com  
www.narchitecture.com



17 AUG 2022

17TH AUGUST 2022  
ISSUED FOR SPA 3  
NOT FOR CONSTRUCTION

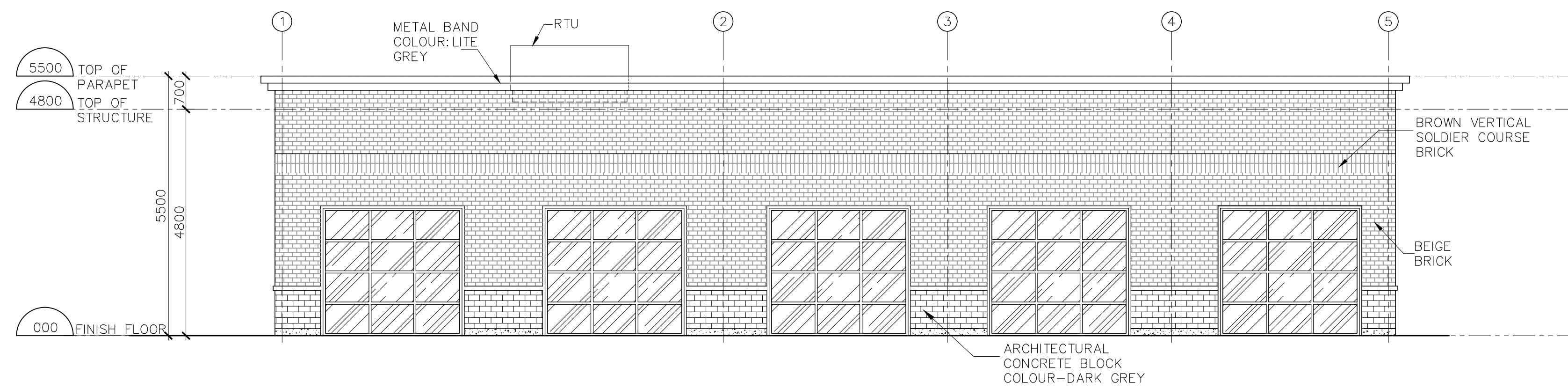
No.	Date	Version	Dwn.
4.	17 AUG. 2022	ISSUED FOR SPA 3	NG
3.	11 FEB. 2022	ISSUED FOR SPA 2	NG
2.	20 SEPT. 2021	ISSUED FOR SPA 1	NG
1.	25 FEB. 2021	ISSUED FOR PRE CON	NG

This drawing is copyright property of 'n Architecture Inc'. Not to be reproduced. Contractor must verify all job dimensions, drawings, details and specifications and report any discrepancies to the architect before proceeding with work.

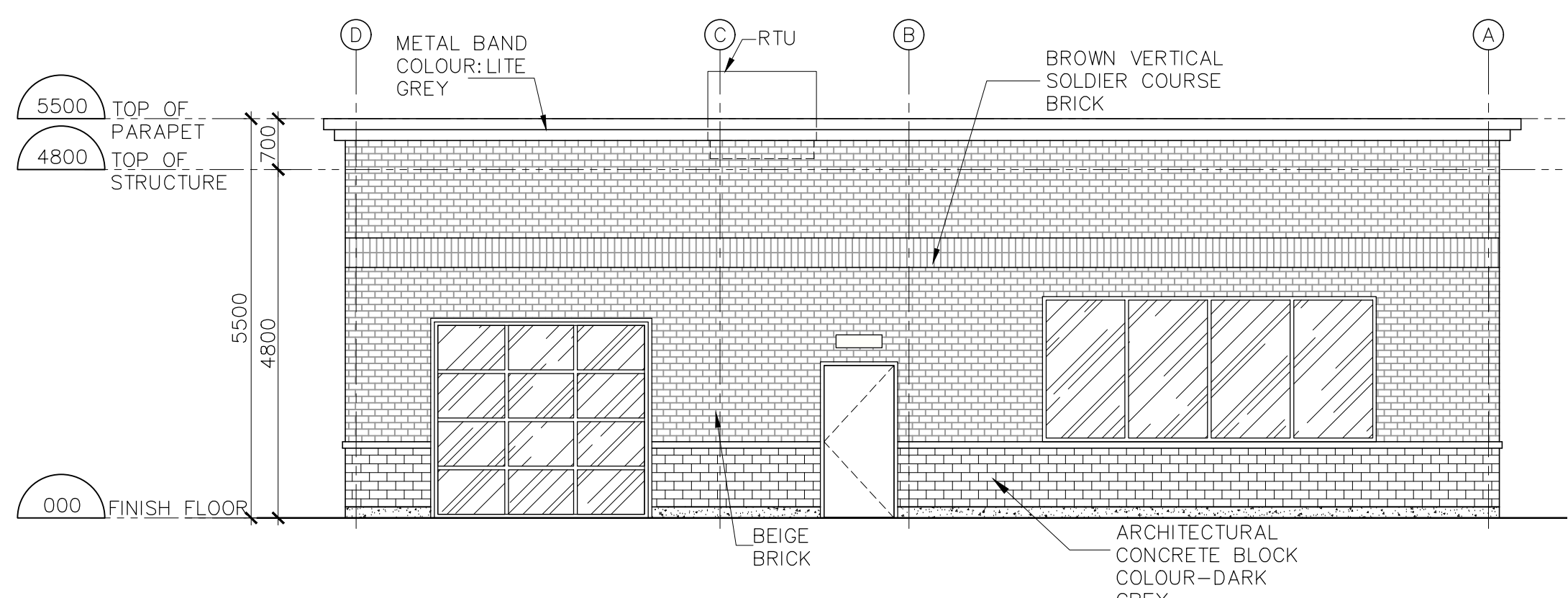
PROJECT:  
**CAR WASH & DETAILING ADDITION AT 630 FOURTH LINE OAKVILLE, ON.**

DRAWING TITLE:  
**BUILDING ELEVATIONS**

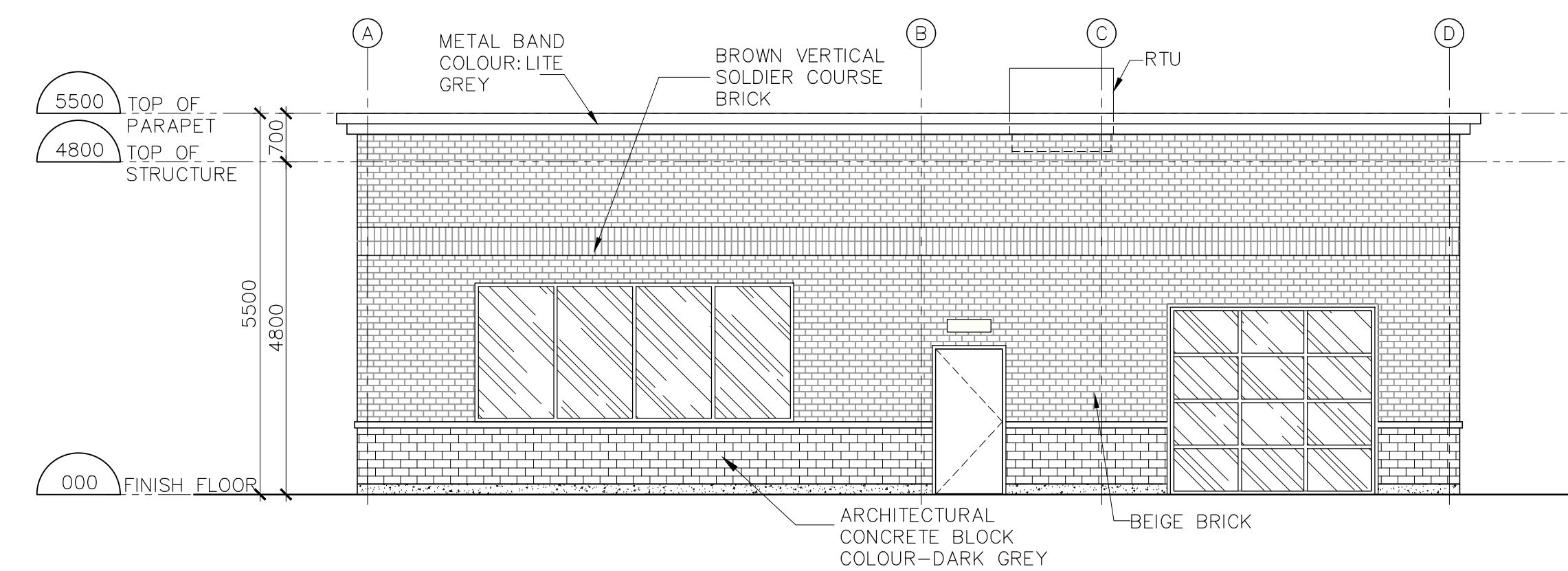
DRAWN BY: NG	DATE: 05th FEB. 2021
CHECKED BY: NM	SCALE: AS NOTED
PROJECT NO.: 21-19	DRAWING NO.: A-3.0



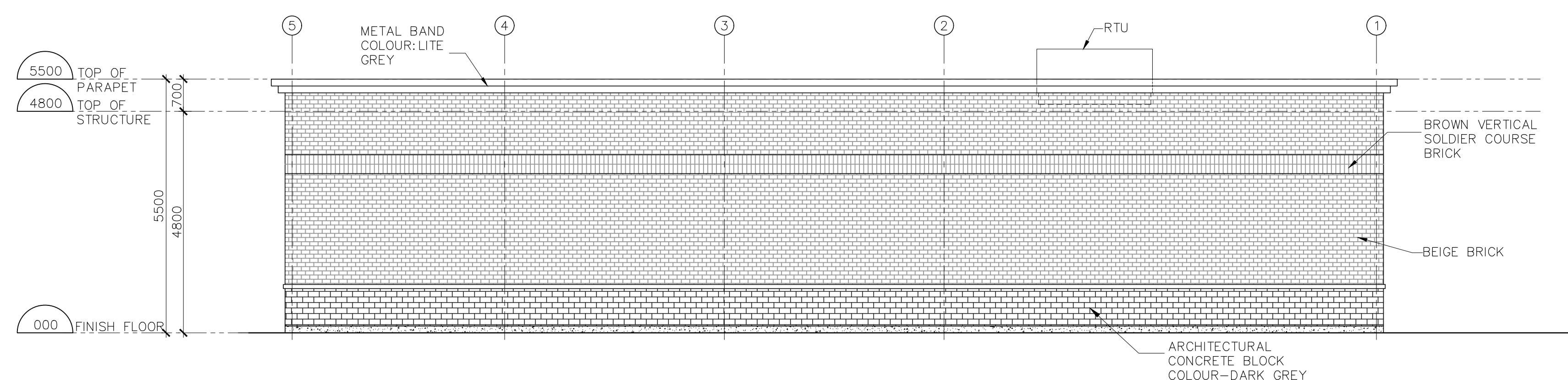
1 WEST ELEVATION  
A-3.0 SCALE 1:75



2 NORTH ELEVATION  
A-3.0 SCALE 1:75



3 SOUTH ELEVATION  
A-3.0 SCALE 1:75



4 EAST ELEVATION  
A-3.0 SCALE 1:75