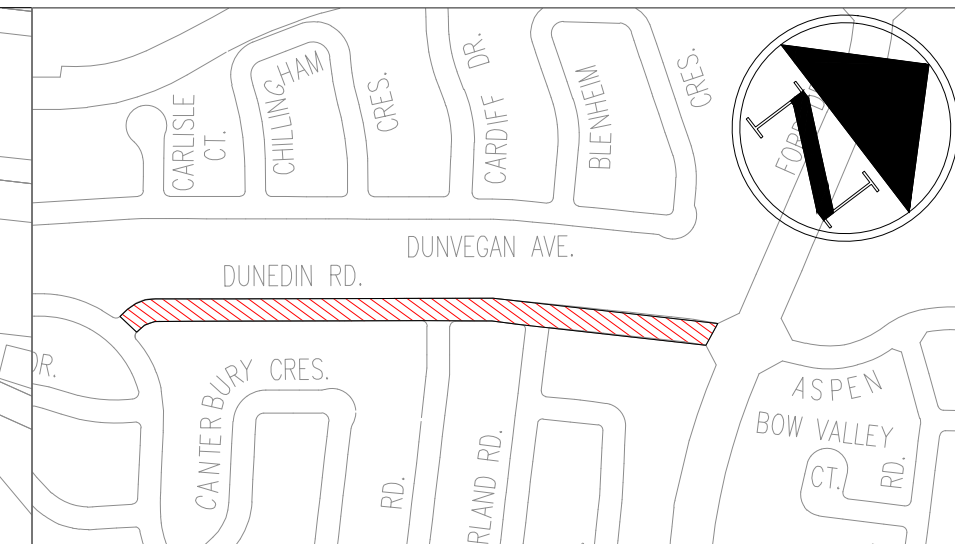


DUNVEGAN AVE.



KEY MAP

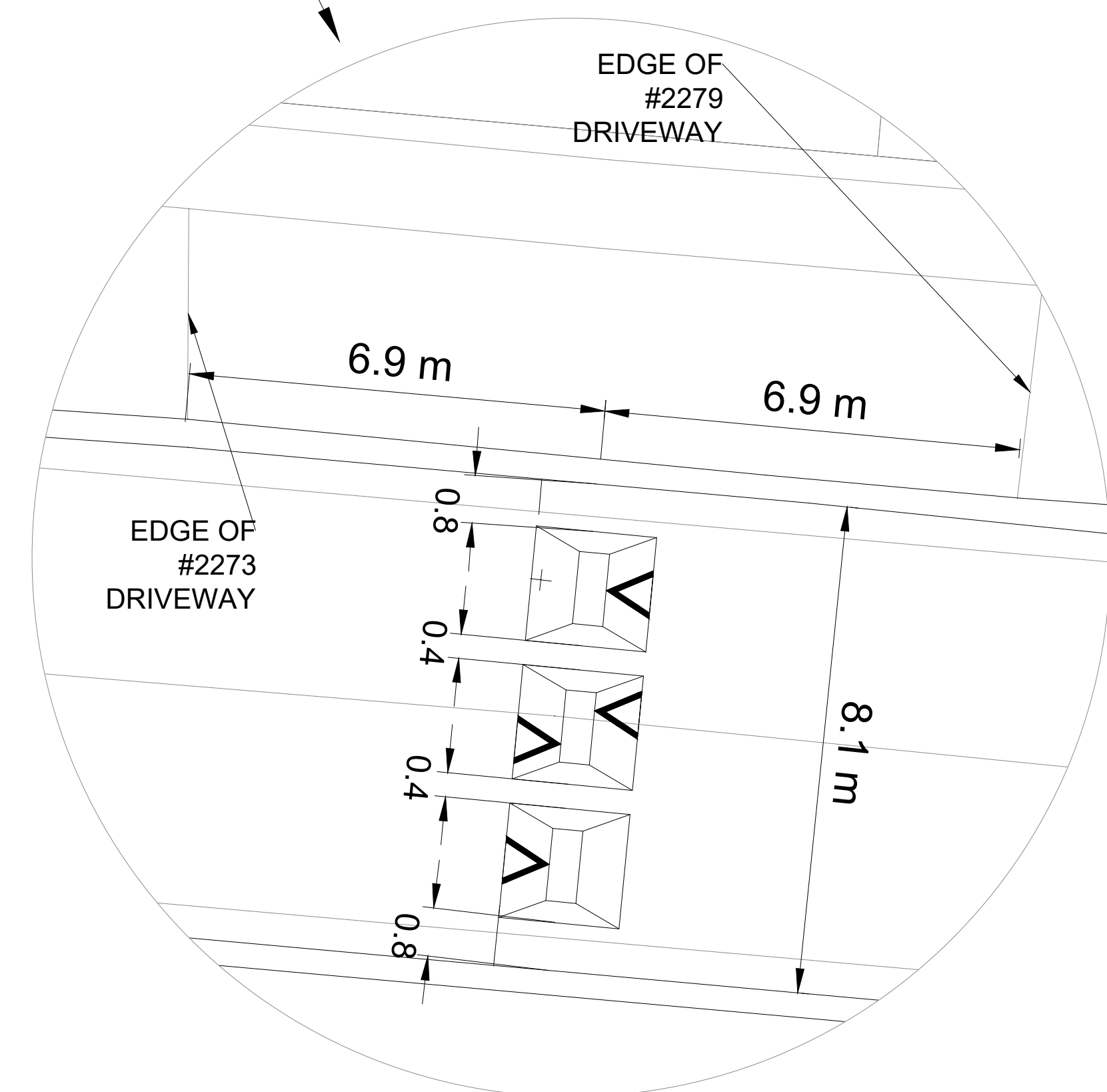
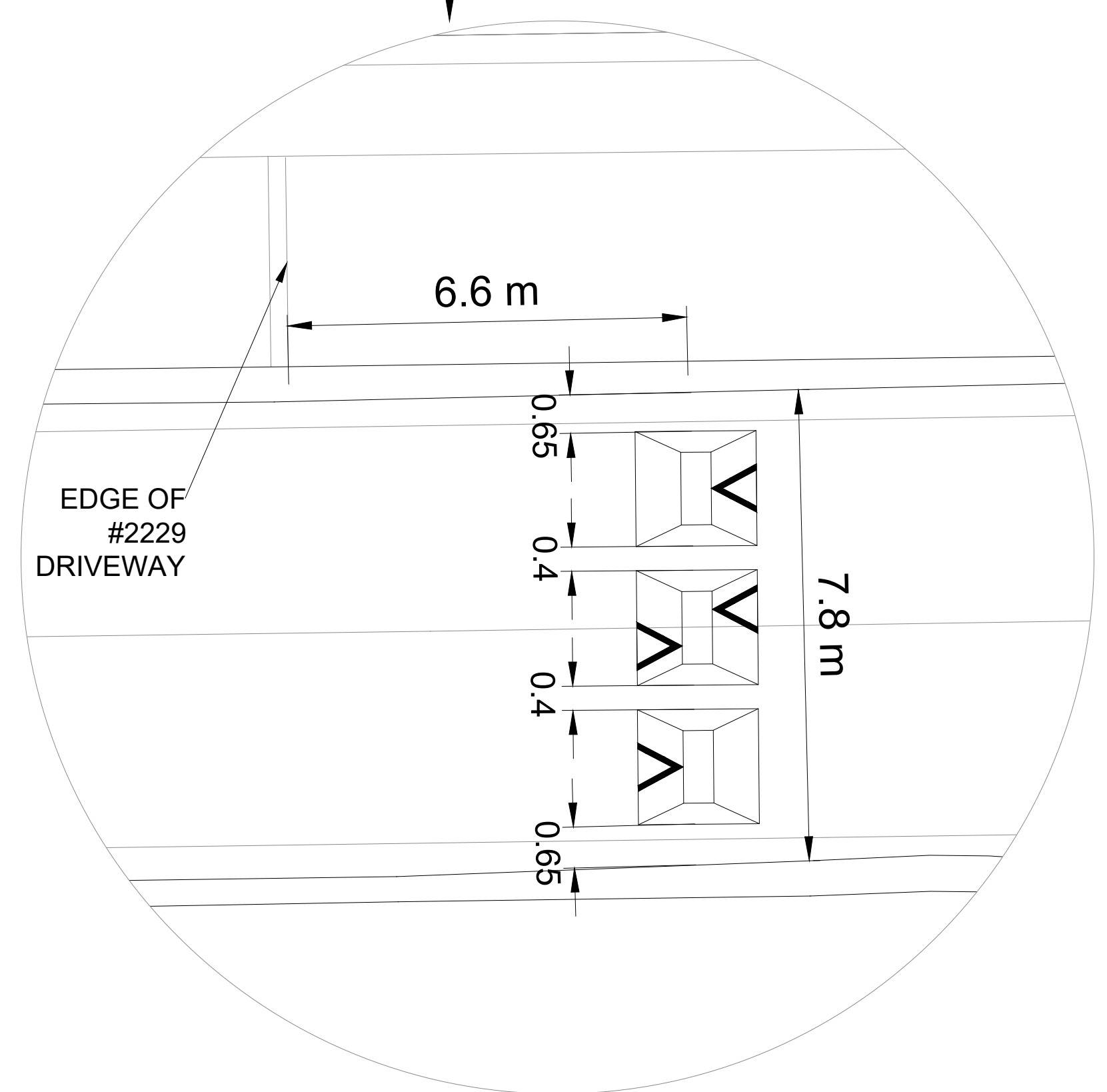
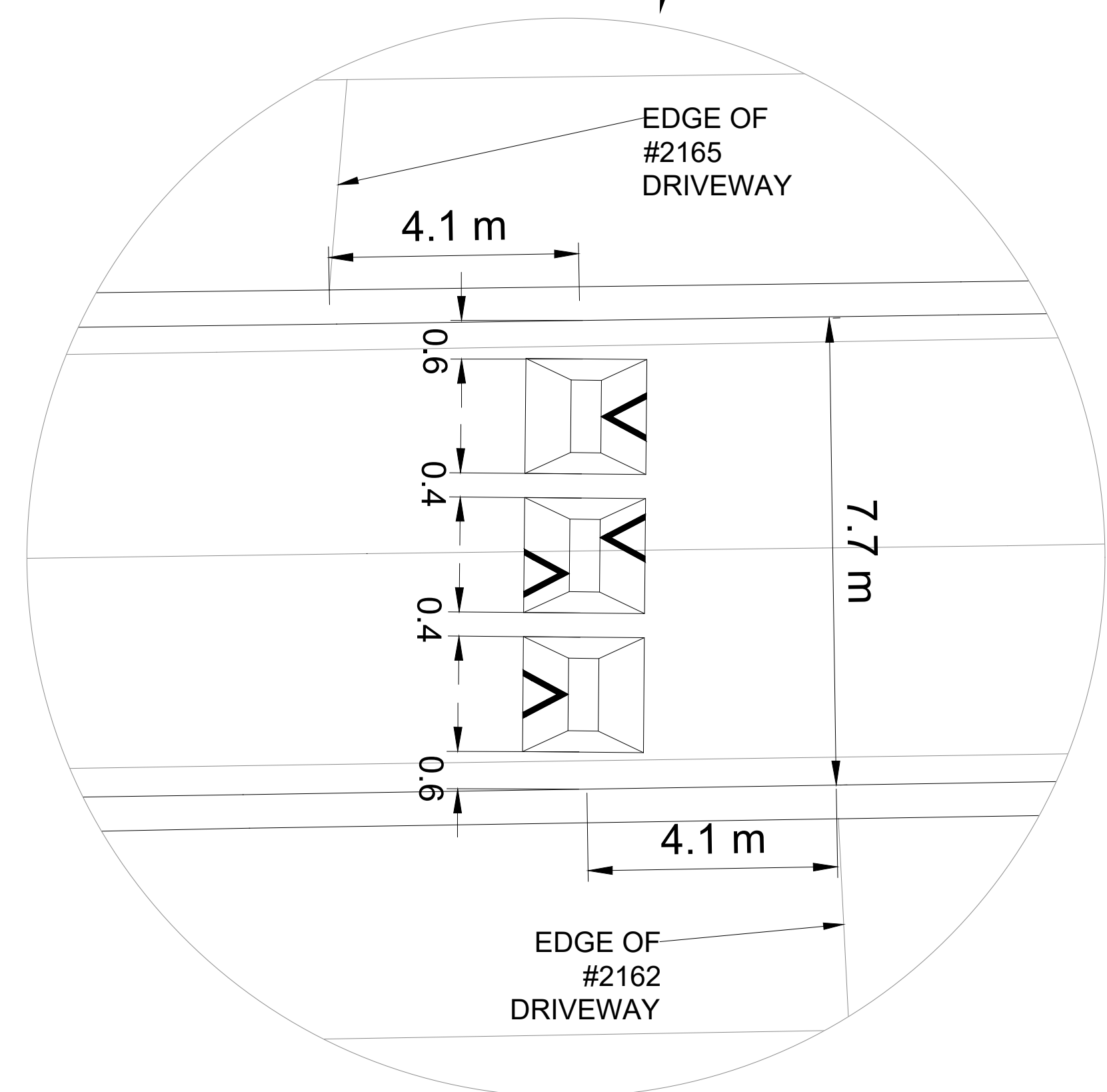
CONSTANCE DR.

DUNEDIN RD.

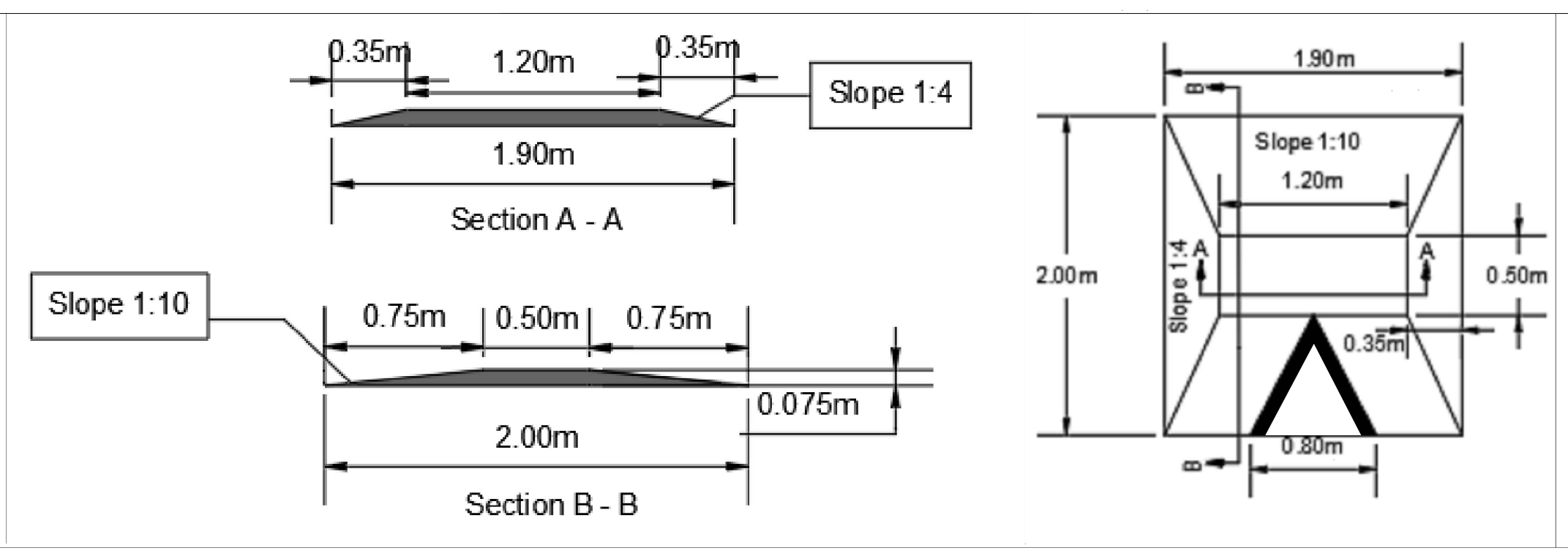
BROOKMILL RD.

DORLAND RD.

FORD DR.



- NOTES
- 1) DRAWING SCALE IS 1:750. SPEED CUSHION DETAILS SHOWN IN CIRCULAR VIEWS AND KEY MAP ARE NOT TO SCALE.
 - 2) PRECISE LOCATION OF PROPOSED INFRASTRUCTURE TO BE DETERMINED AT CONSTRUCTION STAGE.



Legend: N/A

SCALE: 1:750
REVISION: 2
DRAWN BY:
CHECKED BY:
DATE: MAR 12, 2026
ISSUE FOR TENDER
DATE:
ISSUE FOR CONSTRUCTION
DATE:

OAKVILLE
Traffic Calming Design
 Dunedin Road
 Constance Drive to Ford Drive
 Transportation and Engineering Department

Contract No. _____ Drawing No. Sheet 1 of 1