

NO.	DATE	BY/DRAWN	REVISIONS
1	MAY 11, 2022	NAS/ZI	ISSUED FOR OPA ZBA

**ELEVATION NOTE**  
 ELEVATIONS ARE OF GEODETIC ORIGIN (CGVD-1928.78), AND ARE DERIVED FROM GNSS OBSERVATIONS AND NATURAL RESOURCES CANADA'S GEOID MODEL HT2.0

**LOCAL BENCHMARK No. 1**  
 CUT CROSS IN CONCRETE SIDEWALK, LOCATED AT THE NORTHERN CORNER OF THE INTERSECTION OF CROSS AVENUE AND ARGUS ROAD, AS SHOWN ON THE FACE OF PLAN  
 ELEVATION=101.39m

**LOCAL BENCHMARK No. 2**  
 CUT CROSS IN CONCRETE SIDEWALK, LOCATED ON THE SOUTHEASTERN SIDE OF CROSS AVENUE ACROSS FROM NO. 217, AS SHOWN ON FACE OF PLAN  
 ELEVATION=100.98m

THE TOPOGRAPHIC DETAIL SHOWN HEREON WAS ACQUIRED ON JANUARY 18, 2022, BY J.D.BARNES LTD., LAND INFORMATION SPECIALISTS

**GENERAL NOTES**

- CONSTRUCTION SHALL BE IN ACCORDANCE WITH THE LATEST STANDARDS OF THE REGIONAL MUNICIPALITY OF HALTON (INCLUDING REGION OF HALTON'S CONTRACTOR INFORMATION PACKAGE), TOWN OF OAKVILLE AND THE ONTARIO BUILDING CODE (PART 7), ONTARIO PROVINCIAL STANDARD SPECIFICATIONS AND DRAWINGS (OPSS & OPSD) SHALL BE USED IN ABSENCE OF LOCAL STANDARDS.
- THIS DRAWING SHALL BE READ IN CONJUNCTION WITH ALL ARCHITECTURAL, MECHANICAL AND LANDSCAPE DRAWINGS.
- ALL INFORMATION SHOWN REGARDING THE LOCATION AND SIZE OF EXISTING UTILITIES AND/OR SERVICES HAS NOT BEEN VERIFIED. THE CONTRACTOR IS RESPONSIBLE FOR VERIFYING LOCATION OF UTILITIES PRIOR TO CONSTRUCTION AND PROTECTING AND MAINTAINING DURING CONSTRUCTION.
- THE CONTRACTOR SHALL CHECK AND VERIFY ALL GIVEN GRADES AND ELEVATIONS PRIOR TO CONSTRUCTION AND REPORT ALL DISCREPANCIES TO THE ENGINEER.
- ALL GRADING CHANGES SHALL BE APPROVED BY THE ENGINEER AND TOWN OF OAKVILLE PRIOR TO IMPLEMENTATION.
- THE CONTRACTOR SHALL CLEAN ALL MUD TRACKED ON TO ADJACENT ROADWAYS.

**SERVICING NOTES**

- ALL UTILITIES SHALL BE BACKFILLED WITH GRANULAR BACKFILL COMPACTED TO 98% S.P.M.D.D. NATIVE BACKFILL MAY BE USED WITH THE PERMISSION OF THE GEOTECHNICAL CONSULTANT. BEDDING AND COVER MATERIAL SHALL BE PER THE GEOTECHNICAL CONSULTANT'S RECOMMENDATIONS.
- BACKFILLING AND RESTORATION WITHIN THE PUBLIC ROW SHALL BE IN ACCORDANCE WITH THE TOWN OF OAKVILLE ROAD CUT PERMIT AND TO THE SATISFACTION OF THE ENGINEERING & CONSTRUCTION DEPARTMENT.
- SURROUND ALL MANHOLES WITH A MINIMUM OF 1.5m COMPACTED GRANULAR 'C' BACKFILL.
- ALL ENDS OF SERVICE CONNECTIONS SHALL BE MARKED WITH 50x100 LUMBER PLACED FROM INVERT OF SERVICE TO 1.0m ABOVE GRADE.

**STORM SEWERS**

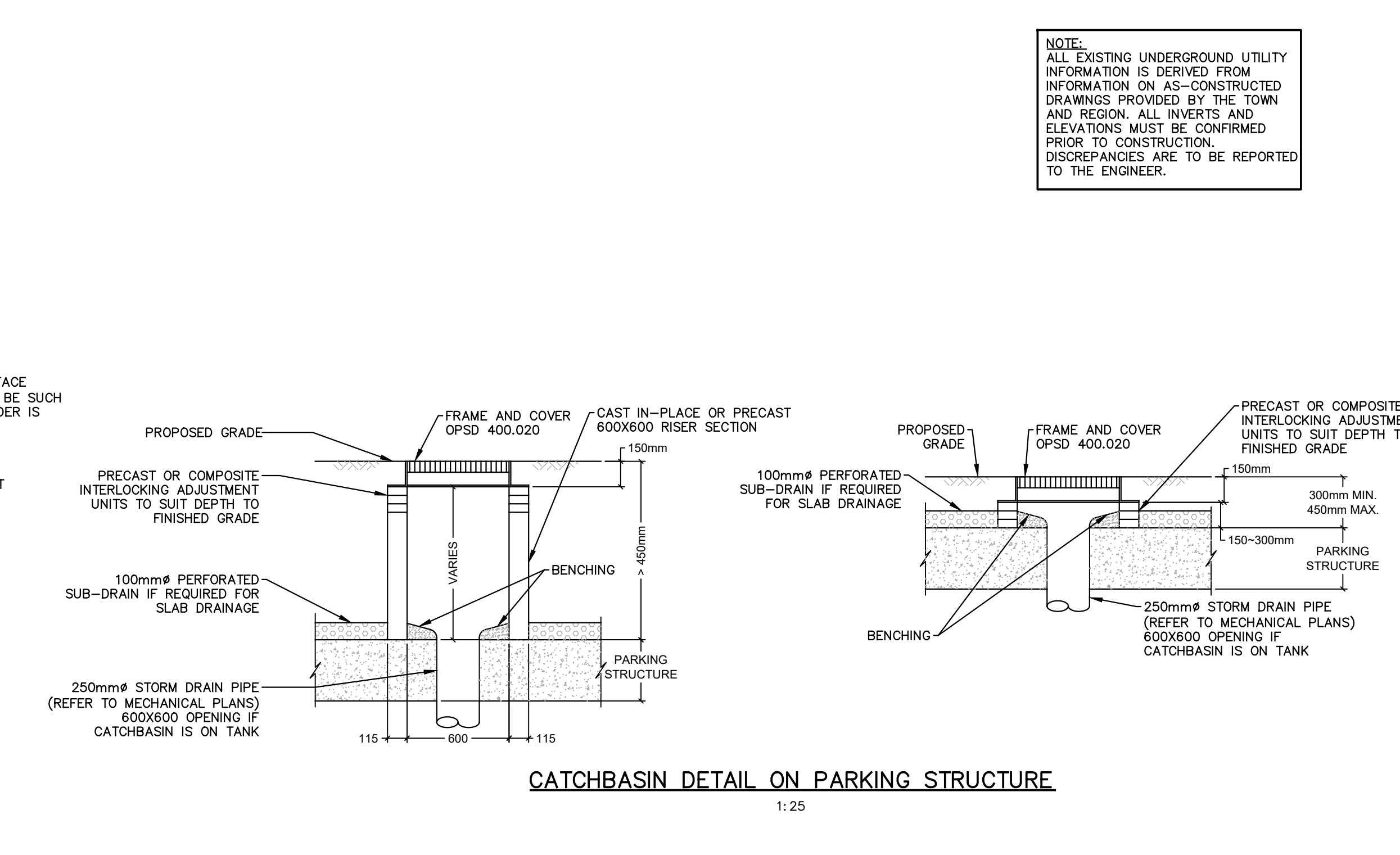
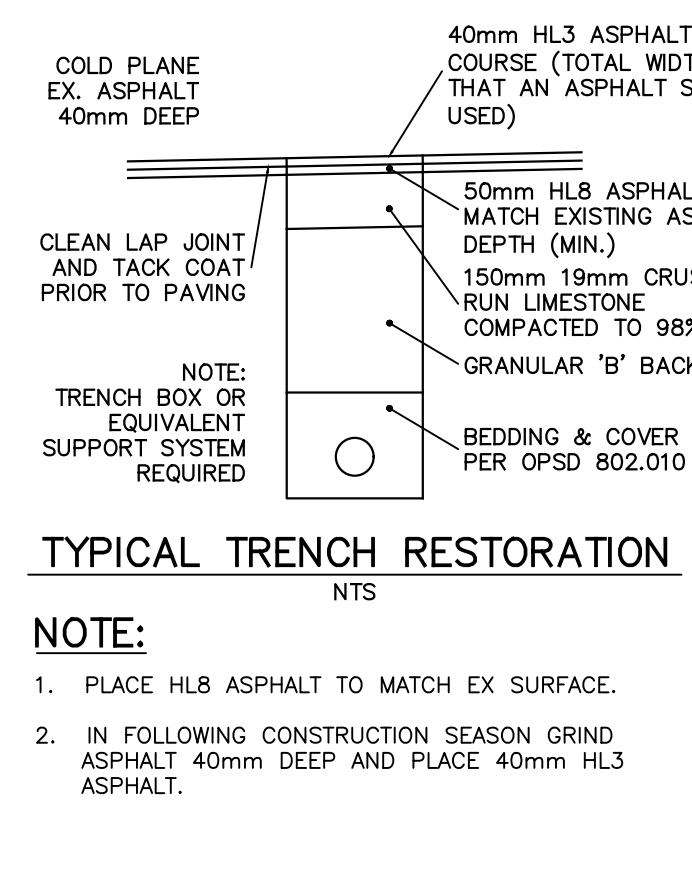
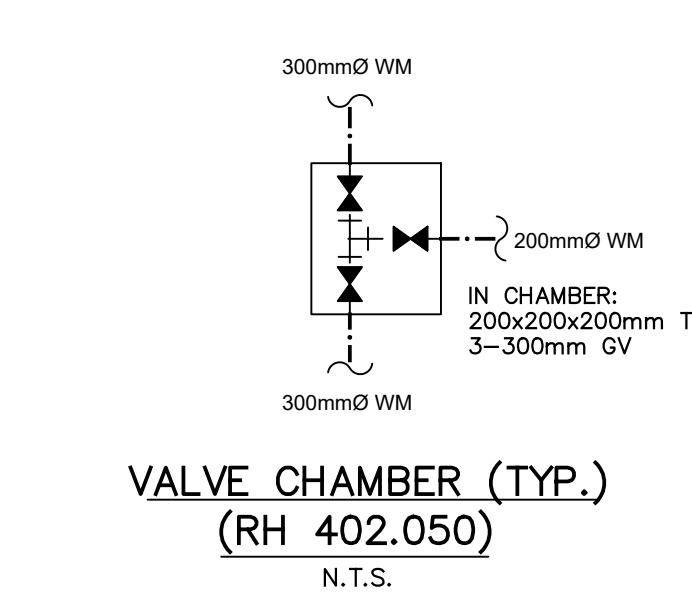
- ALL STORM SEWERS 600 mm AND SMALLER SHALL BE PVC SDR35 CSA B182.2 WITH BEDDING PER OPSD 802.010 UNLESS OTHERWISE NOTED.
- ALL STORM SEWERS 675 mm AND LARGER SHALL BE REINFORCED CONCRETE PIPE CLASS 65-D CSA A257.2 COMPLETE WITH BEDDING PER OPSD 802.030.
- CATCHBASIN SHALL BE PER OPSD 705.010, DOUBLE CATCHBASIN PER OPSD 705.020 c/w GRATE PER OPSD 400.100.
- ALL CB AND CBMH IN PAVED AREAS SHALL BE INSTALLED WITH 3.0m-100mm PERFORATED PIPE c/w FILTER SOCK EXTENDING OUT FROM THE CB AND LOCATED BELOW THE SUBGRADE SURROUNDED BY 50mm GRANULAR 'A'.
- ALL CB LEADS SHALL BE 250mmØ AT 1.0% UNLESS OTHERWISE NOTED. ALL DCB OR DI SHALL BE 300mmØ AT 1.0% UNLESS OTHERWISE NOTED.
- CATCHBASINS IN LANDSCAPE AREAS SHALL BE SIMPLISS AND WITH 'BEEHIVE' TOP PER TOWN STD. 5-2.
- ALL STORM MH'S SHALL BE 1200mmØ PER OPSD 701.010 c/w COVER PER OPSD 401.010, UNLESS OTHERWISE NOTED.
- ALL CATCHBASIN MANHOLES SHALL BE BENCHING.

**SANITARY SEWERS**

- ALL SANITARY SEWERS SHALL BE PVC SDR28, BEDDING PER OPSD 802.010\*.
- SANITARY MANHOLE SHALL BE AS PER OPSD 701.010\* c/w COVER PER OPSD 401.010\*.
- \* INDICATES O.P.S.D. CAN BE USED MODIFIED BY REGION OF HALTON.

**WATERMAIN NOTES**

- 100mm AND LARGER SERVICES SHALL BE PVC, C-900, CLASS 150, SDR18 c/w MECHANICAL RESTRAINTS & TRACER WIRE PER REGION OF HALTON REQUIREMENTS.
- 50mm AND SMALLER SERVICE SHALL BE TYPE "K" SOFT COPPER TUBING.
- BEDDING ON WATER SERVICE SHALL BE PER OPSD 802.010\*.
- VALVE AND BOX FOR 100mm TO 300mm WATER SERVICE PER REGION OF HALTON STDS.
- COVER SHALL BE 1.7m MIN. UNLESS OTHERWISE NOTED.
- CONNECTION TO EXISTING WATERMAIN SHALL BE PER REGION OF HALTON STD RH 409.01.
- WATER SYSTEM SHALL BE PRESSURE TESTED TO 150 PSI FOR 3 HRS AND WITNESSED BY REGION OF HALTON.
- HYDRANTS SHALL BE MANUFACTURED IN ACCORDANCE WITH AWWA C502 AND SHALL HAVE STEAMER PORTS AS PER REGION STANDARD SPECIFICATIONS (SEE NOTE 11). ALL HYDRANTS SHALL BE INSTALLED AS PER OPSD 1105.010\*. IF HYDRANT BARREL DEPTH EXCEEDS 1.7m A HYDRANT THAT CAN BE RAISED FROM THE BOTTOM WITHOUT INCREASING ROW LENGTH IS TO BE USED.
- \* INDICATES O.P.S.D. CAN BE USED AS MODIFIED BY REGION OF HALTON.
- MINIMUM LATERAL SEPARATION FROM OTHER UTILITIES IS 2.5m.
- STORZ PUMPER CONNECTION FOR HYDRANTS AS FOLLOWS: TWO (2) 63.5mm (2 1/2") WITH CSA STANDARD THREAD, 63.5mm I.D., 5 THREADS PER 25mm, 31.75mm SQUARE OPERATING NUT; AND STORZ CAP PAINTED GLOSS BLACK.
- WATER SERVICES/MAINS SHALL BE TESTED & DISINFECTED AS PER ANSI/AWWA C651-99 AND REGION OF HALTON REQUIREMENTS.
- NEW WATER SERVICES TO HAVE PHYSICAL SEPARATION FROM LIVE WATER SERVICES FOR TESTING PURPOSES.



**NOTE:**  
 ALL EXISTING UNDERGROUND UTILITY INFORMATION IS DERIVED FROM INFORMATION ON AS-CONSTRUCTED DRAWINGS PROVIDED BY THE TOWN AND REGION. ALL INVERTS AND ELEVATIONS MUST BE CONFIRMED PRIOR TO CONSTRUCTION. DISCREPANCIES ARE TO BE REPORTED TO THE ENGINEER.

DESIGNED BY: [Signature]

APPROVED BY: [Signature]

**TRAFALGAR ENGINEERING**  
 81-481 MORDEN ROAD, OAKVILLE, ON, L6K 3W6  
 www.trafalgareng.com

**PROJECT TITLE**  
 ARGUS CROSS  
 PROPOSED RESIDENTIAL CONDOMINIUM DEVELOPMENT  
 DISTRIKT DEVELOPMENTS

**LOCATION**  
 217-227 CROSS AVE &  
 571-587 ARGUS RD.  
 OAKVILLE, ONTARIO

**DRAWING TITLE**  
 SITE SERVICING PLAN

SCALE	1:400	DESIGN BY	NAS	PROJECT No.	1729
DRAWN BY	ZI	CHECKED BY	JN	PLAN No.	S1
DATE	2022/01/21	SHEET	1 OF 1		