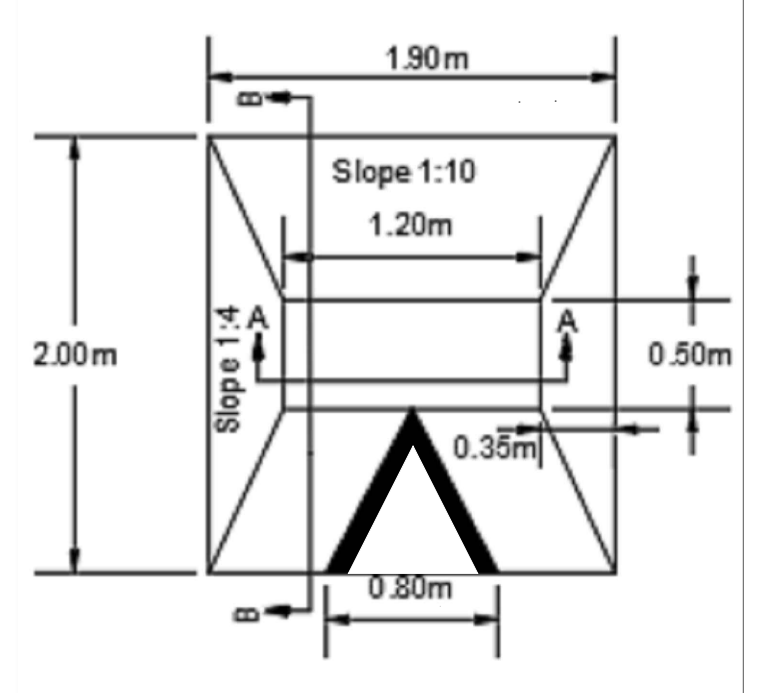
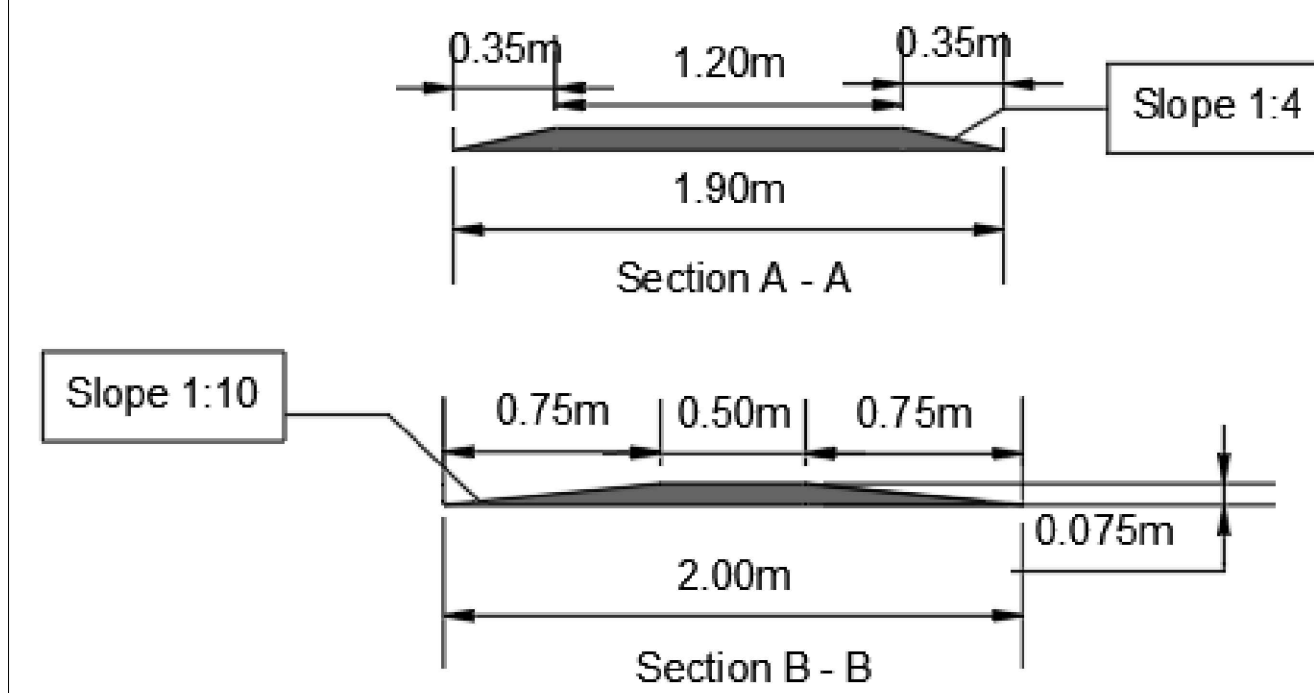


KEY MAP

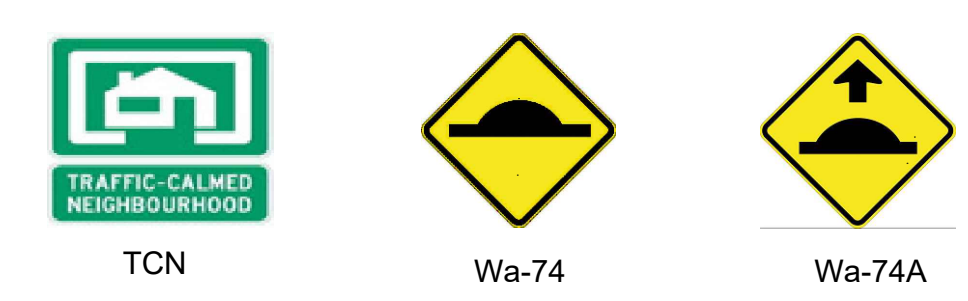
GLEN ALLEN PARK

NOTES

- 1) DRAWING SCALE IS 1:400, SPEED CUSHION DETAILS SHOW IN CIRCULAR VIEWS AND KEY MAP ARE NOT TO SCALE.
- 2) PRECISE LOCATION OF PROPOSED INFRASTRUCTURE TO BE DETERMINED AT CONSTRUCTION STAGE.



Legend:



SCALE: 1:400
REVISION: 3
DRAWN BY: HH/RC
CHECKED BY: JM
DATE: MAR 26 2026
ISSUE FOR TENDER
DATE:
ISSUE FOR CONSTRUCTION
DATE:



Traffic Calming Design
Wyatt Street

From Bronte Road to Bridge Road

Transportation and Engineering Department

Contract No.

Drawing No. Sheet 1 of 1